

type number	L	B	H	weight	max. load
	mm	mm	mm	kg/pc	F kN
DTN 100_F	110	40	45	0,16	2,5
DTN 150_F	160	40	45	0,20	2,5
DTN 200_F	210	40	55	0,27	2,5
DTN 250_F	260	40	55	0,32	2,5
DTN 300_F	310	50	65	0,59	2,5
DTN 400_F	410	50	75	0,79	2,5
DTN 500_F	510	50	90	1,11	2,5
DTN 600_F	610	50	90	1,27	2,5



product description: The bracket is used as an element to create a supporting structure for a cable tray.

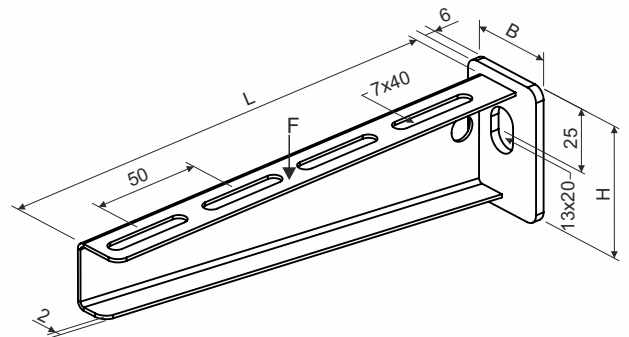
It is designated for installation on the wall or on the ceiling profile SPLN, SPSN, SPU, SPS.

Fix to the ceiling profile SPLN, SPSN or SPU using bolt S 10X20, nuts ML 10 and washer PD 10.

Fix to the ceiling profile SPS using sliding nut PM 41 M 10 together with the bolt S 10X20.

The bracket is fastened to the wall using Ø 10-12 mm anchor.

Cable tray or cable ladder attaching to the bracket is carried out by bolts NSM 6X10.



surface finish: F - Hot Dip Galvanized, zinc-layer 55 µm (min. 45 µm)

sales amount: á 1 pc

storage: EN 60721-3-1



 **WARNING****Risk of injury from cutting**

Although the cable trays are produced with maximum effort to minimize sharper edges, it is necessary to wear protective gloves to carry, grip and work with cable elements.

Risk of system collapse

It is essential to strictly adhere to the maximum load limits for individual cable support systems and ensure proper installation according to the installation manual. The load capacity charts for each system are provided in the manufacturer's catalog, available in printed form or on the manufacturer's website. The specified load limits do not account for any additional loads, such as snow, wind, or seismic forces.

Electricity injury

As individual components of cable management systems are made of electrical conductive material, it is essential not to work with a system near live electrical parts. Infringement of the safety regulations may cause serious injury of health or death.

Safe Use

Under normal and foreseeable conditions of use, there are no risks to consumers, provided that proper installation and usage are carried out in accordance with the installation manual.

recycling codes:



DTN