


type number	weight (kg/pc)	
DT OKO_PO	0,06	

product description: DT OKO is intended to use with bracket DT.

It is used for the installation of a standard-compliant cable route consisting of cable trays or cable ladders.


In order for the supporting structures to meet fire resistance requirements, the end of the bracket must be securely fixed to the ceiling or wall using a threaded rod. For this purpose, the DT OKO safety eye is used.

The DT OKO is attached to the DT bracket using 2 pcs of NSM 6×10 screws (to be ordered separately).

The DT bracket together with DT OKO is fixed to the wall or ceiling using a ZT threaded rod and an ML nut.

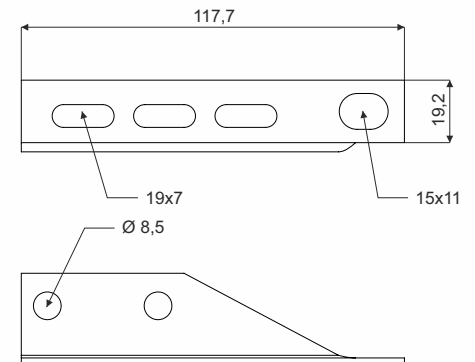
surface finish: PO - Pre-Galvanized according to EN 10346, EN 10143, zinc-layer 15 - 27 µm

sales amount á 1 pc

classification : ČSN 73 0895 P 90-R
 DIN 4102-12 E 90
 STN 92 0205 P S 90

Fire classification is depend on the specific conditions of the cable tray, detailed in the catalog Systems with maintained functionality in fire.

storage: ČSN EN 60721-3-1



 **WARNING**

Risk of injury from cutting

Although the cable trays are produced with maximum effort to minimize sharper edges, it is necessary to wear protective gloves to carry, grip and work with cable elements.

Safe Use

Under normal and foreseeable conditions of use, there are no risks to consumers, provided that proper installation and usage are carried out in accordance with the installation manual.

recycling codes:



DT OKO