

type number:

DZBZ_ZM**INOXDZBZ_IX**

product description:

The side hanger is designed for hanging a wire cable tray from the ceiling using a threaded rod \varnothing 8 mm and two ML 8 nuts.

The top wire of the tray side is inserted into the hanger hook. To secure the wire tray, the hooks of the hanger are bent around the inserted wire.

The hanger is always used in pairs, the wire tray must be suspended on both sides.

The max. recommended load for one mounting point (2 pcs. DZBZ) is 15 kg.



surface finish:

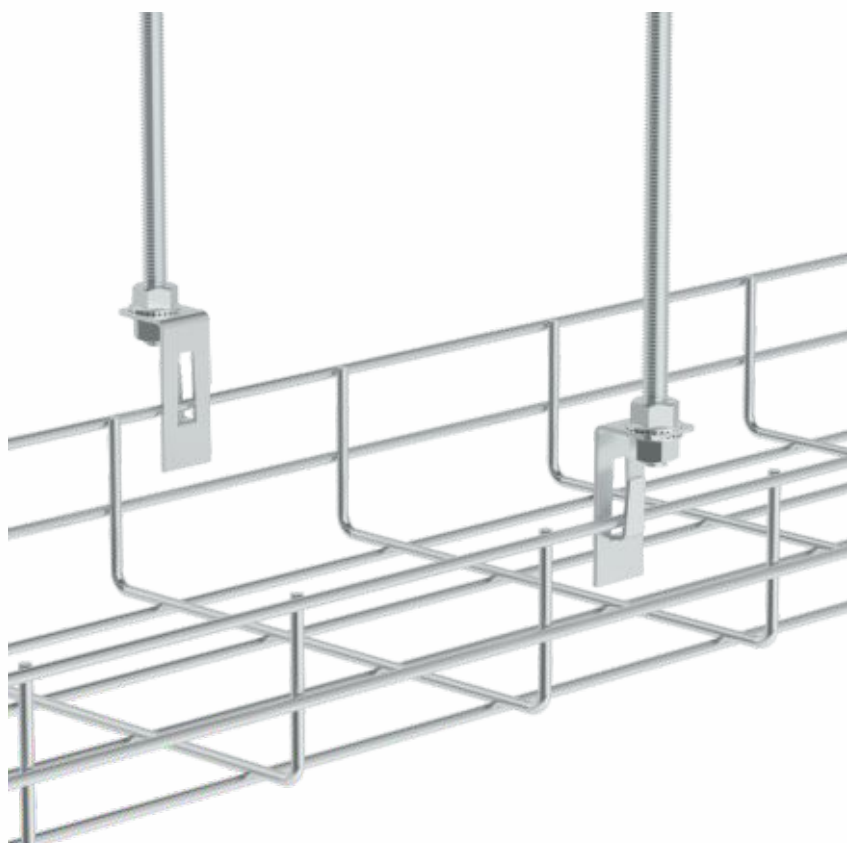
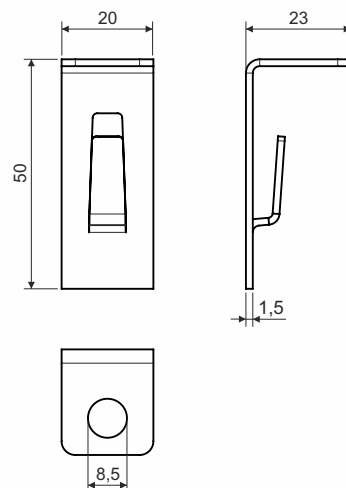
ZM - Magnelis® - galvanized steel with admixture of magnesium and aluminum according to EN 10346, EN 10143, protective layer 18-31 μ m

IX - Stainless steel AISI 304

meets the requirements: ČSN EN 61537:02

storage:

ČSN EN 60721-3-1



 **WARNING****Risk of injury from cutting**

Although the cable trays are produced with maximum effort to minimize sharper edges, it is necessary to wear protective gloves to carry, grip and work with cable elements.

Electricity injury

As individual components of cable management systems are made of electrical conductive material, it is essential not to work with a system near live electrical parts. Infringement of the safety regulations may cause serious injury of health or death.

Safe Use

Under normal and foreseeable conditions of use, there are no risks to consumers, provided that proper installation and usage are carried out in accordance with the installation manual.

recycling codes:



DZBZ, INOXDZBZ