

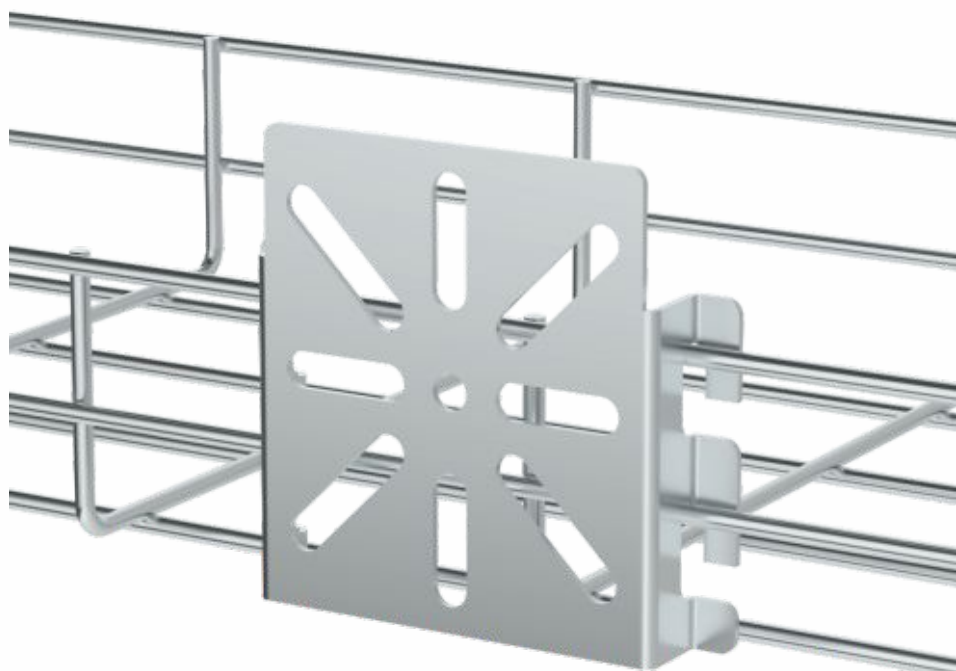
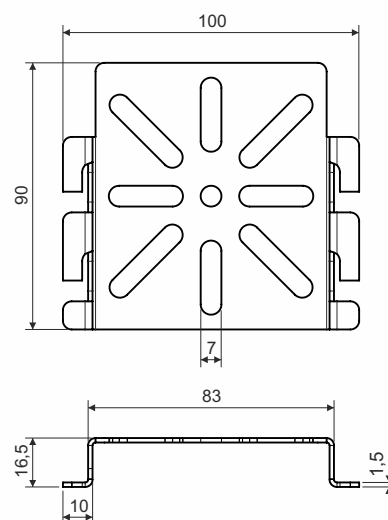
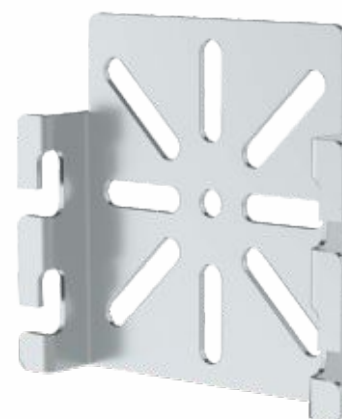
type number: **DZMD_ZM**
INOXDZMD_IX

product description: Mounting plate serves to the assembling of electroinstallation boxes.
It is fixed to the side plate of wire cable tray of side plate height of 60 or 110 mm.

surface finish: ZM - Magnelis® - galvanized steel with admixture of magnesium and aluminum according to EN 10346, EN 10143, protective layer 18-31 µm
IX - Stainless steel AISI 304

meets the requirements: ČSN EN 61537:02

storage: ČSN EN 60721-3-1



 **WARNING****Risk of injury from cutting**

Although the cable trays are produced with maximum effort to minimize sharper edges, it is necessary to wear protective gloves to carry, grip and work with cable elements.

Electricity injury

As individual components of cable management systems are made of electrical conductive material, it is essential not to work with a system near live electrical parts. Infringement of the safety regulations may cause serious injury of health or death.

Safe Use

Under normal and foreseeable conditions of use, there are no risks to consumers, provided that proper installation and usage are carried out in accordance with the installation manual.

recycling codes:



DZMD, INOXDZMD