

type number: **KLDI 35X110_F**

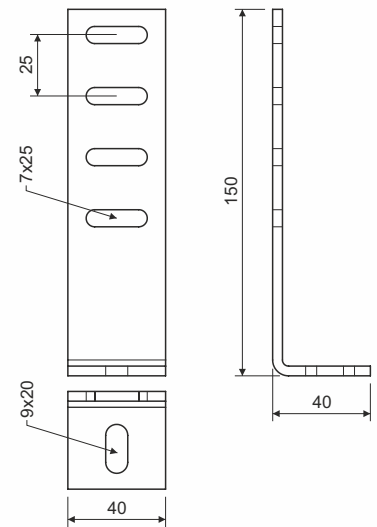
thickness of metal sheet: 4 mm

product description: The distance bracket is used to fasten the cable ladder to the wall.
 The distance between the cable ladder and the wall is at least 50 mm.
 It is attached to the ladder using NSM 6x10 bolts. To protect the cables, the bolt head is inside cable ladder.
 It is attached to the wall using anchors 8 mm in diameter.

surface finish: F - Hot Dip Galvanized, zinc-layer 45 µm (min. 35 µm)

sales amount: á 1 pc

storage: EN 60721-3-1



⚠ WARNING

Risk of injury from cutting

Although the cable trays are produced with maximum effort to minimize sharper edges, it is necessary to wear protective gloves to carry, grip and work with cable elements.

Electricity injury

As individual components of cable management systems are made of electrical conductive material, it is essential not to work with a system near live electrical parts. Infringement of the safety regulations may cause serious injury of health or death.

Safe Use

Under normal and foreseeable conditions of use, there are no risks to consumers, provided that proper installation and usage are carried out in accordance with the installation manual.

recycling codes:



KLDI



cardboard