

type number: **KUP 80_FB**

product description: Serves for the assembly into the concrete floor. After the concrete mix hardens it is fitted with the floor box frame KOPOBOX 57 or KOPOBOX 80.

The package includes a cover board which prevents the box from being filled with concrete during concrete applying.

The minimum height of the concrete layer is 80 mm maximum height is 95 mm. The required height of the box can be adjusted by raising the insertion with screws.

For higher concrete layer than 95 mm it is necessary to use the leveling set SN (1 set).

The box is adapted for the installation of electrical pipes, it is fitted with pre-marked passages: 4x Ø25; 4x Ø40; 12x Ø32 a 4x 150x35 mm.

material: ABS

color: black RAL 9011

self-snuffing: yes, within 30 s

temperature resistance: -5 - +60 °C

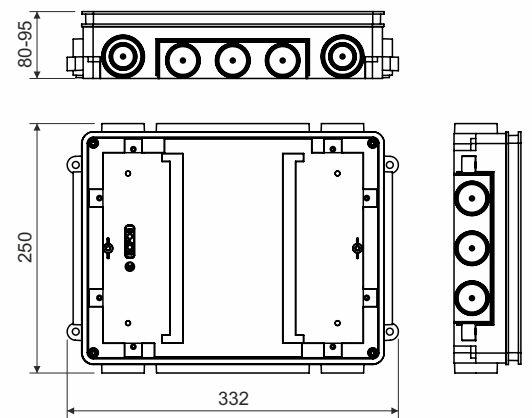
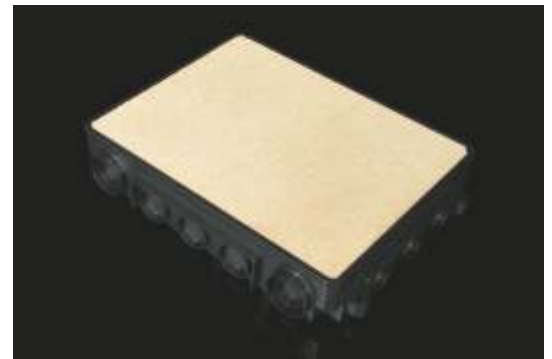
flaming loop test: 650 °C

fire class for underlying material: A1

sales amount: á 1 pc

certification: ČSN EN 60607-1

storage: ČSN 64 0090



recycling symbols:



KUP 80



board



screws



carton

WARNING

incorrect electrical installation can cause a fire - we recommend the connection to be carried out exclusively by an authorized person

follow the manufacturer's installation instructions according to the installation instructions and videos

damage to the product - if the box is visibly damaged, stop using it under normal and foreseeable conditions of use, the installed box does not pose any risks to consumers

