


type number: **NUV\_S**  
**NUV\_ZM**

product description: Used to fasten covers to trays or accessories.  
The fixing use the bolt NSM 6X10. To protect the cables, the bolt head is inside the cable tray.  
It is possible to use the same bolt used to fix the connection between the trays or accessories to fasten the cover fixture.  
For non-perforated trays, a square hole in the upper part of the side of the cable tray is used for fastening.  
A minimum of 4 cover fixtures are required for 1 cover.  
ZM surface finish cover fixture shall be used for ZM or F surface finish trays.  
GMT surface finish bolts shall be used for ZM or F surface finish trays.  
These items can also be ordered in a varnished version.

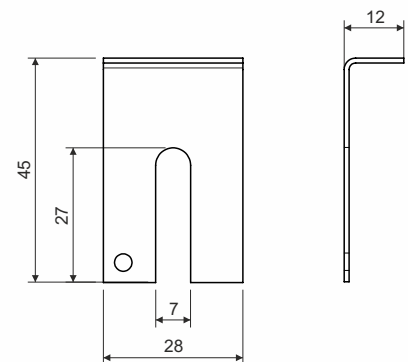
surface finish: S - Pre-Galvanized steel according to ČSN EN 10346, ČSN EN 10143, zinc-layer 15-27 µm  
ZM - Pre-Galvanized steel with admixture of magnesium and aluminum according to ČSN EN 10346, ČSN EN 10143, protective layer 18-31 µm (replacement of hot dip galvanizing)

sales amount: á 1 pc

meets the requirements: ČSN EN 61537:02

classification : ČSN 73 0895 P 90-R  
DIN 4102-12 E 90  
STN 92 0205 PS 90  
Fire classification is depend on the specific conditions of the cable tray, detailed in the catalog Systems with maintained functionality in fire  
Product approved for standard and non-standard constructions.

storage: ČSN EN 60721-3-1



 **WARNING****Risk of injury from cutting**

Although the cable trays are produced with maximum effort to minimize sharper edges, it is necessary to wear protective gloves to carry, grip and work with cable elements.

**Electricity injury**

As individual components of cable management systems are made of electrical conductive material, it is essential not to work with a system near live electrical parts. Infringement of the safety regulations may cause serious injury of health or death.

**Safe Use**

Under normal and foreseeable conditions of use, there are no risks to consumers, provided that proper installation and usage are carried out in accordance with the installation manual.

recycling codes:



NUV



cardboard



plastic bag