

type number	diameter		cover tray *				max. number of clamps next to each other						🔥
	min.-max. (mm)	height KZI, KL				width KZI, KL							
		60	85	110	100	150	200	300	400	500	600		
PKC1 1198_F	6-12	yes	yes	yes	yes	8	12	18	24	30	37	🔥	
PKC1 1199_F	7-16	yes	yes	yes	yes	7	9	14	19	24	29	🔥	
PKC1 1200_F	10-19	no	yes	yes	yes	5	7	11	15	19	23	🔥	
PKC1 1201_F	14-23	no	yes	yes	yes	5	6	10	14	17	21	🔥	
PKC1 1202_F	20-26	no	yes	yes	yes	4	5	8	11	14	17	🔥	
PKC1 1203_F	24-30	no	yes	yes	yes	3	5	7	10	12	15	🔥	
PKC1 1204_F	25-34	no	yes	yes	yes	3	4	6	9	11	14	🔥	
PKC1 1205_F	29-38	no	yes	yes	yes	3	4	6	8	10	13	🔥	
PKC1 1206_F	32-43	no	no	yes	yes	2	3	5	7	9	11	🔥	
PKC1 1207_F	42-46	no	no	yes	no	2	3	5	7	8	10	🔥	
PKC1 1208_F	44-50	no	no	yes	no	2	3	5	6	8	10	🔥	
PKC1 1209_F	50-54	no	no	yes	no	2	3	4	6	7	9	🔥	
PKC1 1210_F	51-58	no	no	no	no	2	2	4	5	7	8	🔥	
PKC1 1211_F	55-63	no	no	no	no	1	2	4	5	6	8	🔥	
PKC1 1212_F	59-69	no	no	no	no	1	2	3	5	6	7	🔥	



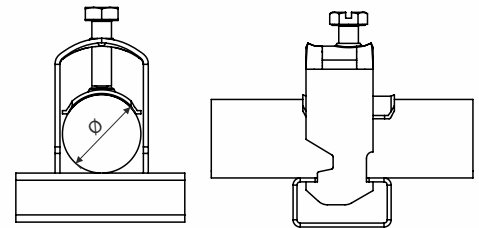
product description:

Clamps are used to fasten a cable to a rung of a cable ladder, supporting profile for NPKV cable clamps or NP supporting profile.

The basic surface treatment with which clamps are delivered makes it possible to use them even in harsh weather environments.

* The chart shows how cable trays can be covered when using a clamp with the maximum cable diameter.

** The values show the maximum number of cable clamps of one size installed side by side in relation to the width of the ladder (tray). The number of cables installed is the same as the number of clamps. Max. diameter + 2 mm is the outer width of the clamp. The outer width of the clamp can be used to calculate the number of clamps when various sizes are required in a single tray.



surface finish:

F - Hot Dip Galvanized according to ČSN EN ISO 1461, zinc-layer 45 µm (min. 35 µm)

meets the requirements: ČSN EN 61537:02

sales amount: 1 pc

classification 🔥:

ČSN 73 0895 P 90-R

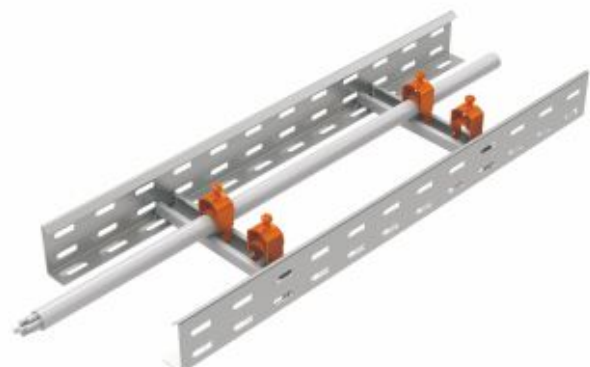
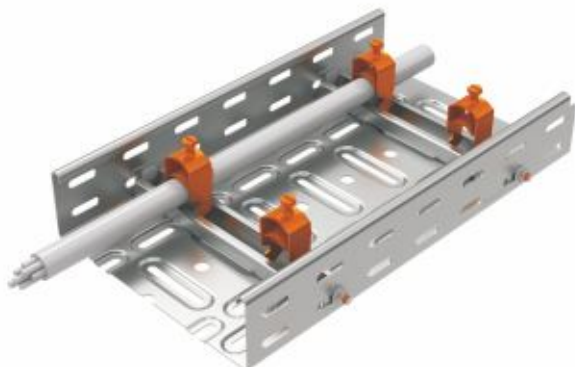
DIN 4102-12 E 90

STN 92 0205 PS 90

Fire classification depends on the specific conditions of the cable tray, detailed in the catalog Systems with maintained functionality in fire.

storage:

ČSN EN 60721-3-1



 **WARNING****Risk of injury from cutting**

Although the cable trays are produced with maximum effort to minimize sharper edges, it is necessary to wear protective gloves to carry, grip and work with cable elements.

Electricity injury

As individual components of cable management systems are made of electrical conductive material, it is essential not to work with a system near live electrical parts. Infringement of the safety regulations may cause serious injury of health or death.

Safe Use

Under normal and foreseeable conditions of use, there are no risks to consumers, provided that proper installation and usage are carried out in accordance with the installation manual.

recycling codes:



PKC1