

type number	min. diameter of cable	max. diameter of cable	weight (kg/pc)	🔥
	A (mm)	B (mm)		
PKDZ1 12_F	6	12	0,03	🔥
PKDZ1 14_F	10	14	0,03	🔥
PKDZ1 16_F	12	16	0,03	🔥
PKDZ1 18_F	14	18	0,04	🔥
PKDZ1 22_F	18	22	0,04	🔥
PKDZ1 26_F	22	26	0,05	🔥
PKDZ1 30_F	26	30	0,05	🔥
PKDZ1 34_F	30	34	0,07	🔥
PKDZ1 38_F	34	38	0,09	🔥
PKDZ1 42_F	38	42	0,10	🔥
PKDZ1 46_F	42	46	0,11	🔥
PKDZ1 50_F	46	50	0,11	🔥
PKDZ1 54_F	50	54	0,12	🔥
PKDZ1 58_F	54	58	0,14	🔥

product description: For fixing cables in DZI wire trays, not only for ascending routes

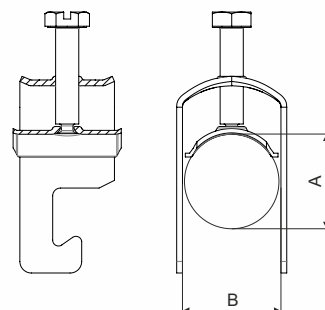
surface finish: F - Hot Dip Galvanized, average zinc-layer 55 µm (min. 45 µm)

sales amount: á 1 pc

classification 🔥: ČSN 73 0895 P 90-R
 DIN 4102-12 E 90
 STN 92 0205 PS 90

Fire classification is depend on the specific conditions of the cable tray, detailed in the catalog Systems with maintained functionality in fire.

storage: EN 60721-3-1



 **WARNING****Risk of injury from cutting**

Although the cable trays are produced with maximum effort to minimize sharper edges, it is necessary to wear protective gloves to carry, grip and work with cable elements.

Electricity injury

As individual components of cable management systems are made of electrical conductive material, it is essential not to work with a system near live electrical parts. Infringement of the safety regulations may cause serious injury of health or death.

Safe Use

Under normal and foreseeable conditions of use, there are no risks to consumers, provided that proper installation and usage are carried out in accordance with the installation manual.

recycling codes:



PKDZ1