

type number	height (H) (mm)	thickness of metal sheet (mm)	weight (kg/m)	
P 35_S	29	0,8	0,34	
P 60_S	54	0,8	0,50	🔥
P 60_ZM	54	0,75	0,72	🔥
P 85_S	79	0,8	0,66	
P 110_S	104	0,8	0,81	
P 110_ZM	104	0,75	1,18	



product description:

The partition is used to separate cables in cable trays. In term of electrical compatibility, it is also used for dividing several types of lines. It is recommended to use covers for this type of installation and make the covered and shielded room.

The connection is performed using the bolts NSM 6X10, 2 pcs per 1 meter. To protect the cables, the bolt head is inside the cable tray.

A bolt with a GMT surface finish is used for a tray with an _ZM surface finish.

These items can also be ordered in a varnished version.

surface finish:

S - Pre-Galvanized according to EN 10346, EN 10143, zinc-layer 13-27 µm
 ZM - galvanized steel with admixture of magnesium and aluminum according to EN 10346, EN 10143, protective layer 18-31 µm

sales amount:

á 2 m

meets the requirements:

ČSN EN 61537:02

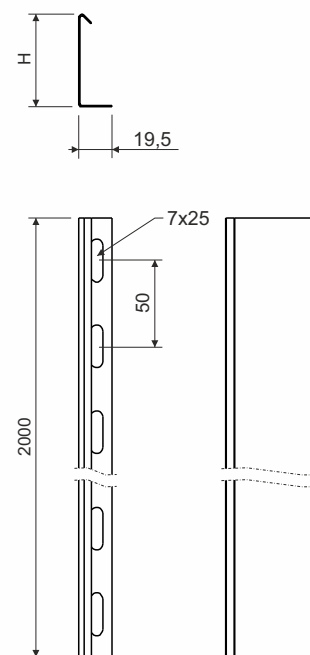
classification 🔥:

ČSN 73 0895 P 90-R
 DIN 4102-12 E 90
 STN 92 0205 PS 90

Fire classification depends on the specific conditions of the cable tray, detailed in the catalog Systems with maintained functionality in fire

storage:

ČSN EN 60721-3-1



 **WARNING****Risk of injury from cutting**

Although the cable trays are produced with maximum effort to minimize sharper edges, it is necessary to wear protective gloves to carry, grip and work with cable elements.

Electricity injury

As individual components of cable management systems are made of electrical conductive material, it is essential not to work with a system near live electrical parts. Infringement of the safety regulations may cause serious injury of health or death.

Safe Use

Under normal and foreseeable conditions of use, there are no risks to consumers, provided that proper installation and usage are carried out in accordance with the installation manual.

recycling codes:



partition



stretch film