

type number	length (L) (mm)	weight (kg/pc)	max. load (F) (kg/pc)	🔥
SPS 200_F	200	0,86	166	🔥
SPS 300_F	300	1,12	110	🔥
SPS 400_F	400	1,37	82	🔥
SPS 450_F	450	1,50	73	🔥
SPS 500_F	500	1,62	66	🔥
SPS 600_F	600	1,88	54	🔥
SPS 800_F	750	2,25	40	🔥
SPS 1000_F	1000	2,89	28	🔥
SPS 1200_F	1200	3,39	18	🔥

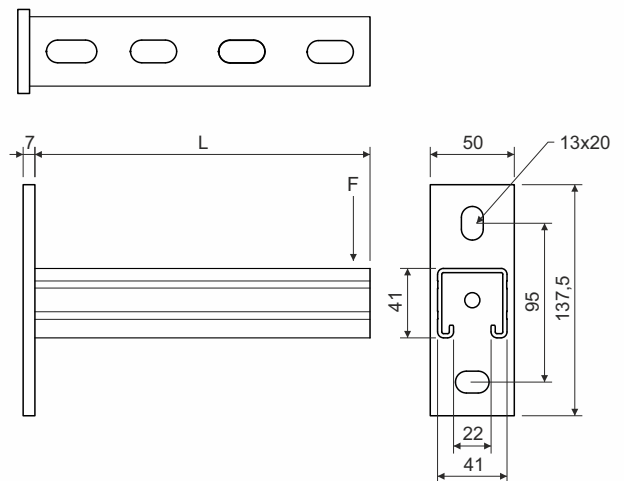


product description: The ceiling profile is used as an element to create a supporting structure for a cable tray and to attach it to the ceiling or floor.

Designated for fastening of the brackets DS, DT and DTN with the use of sliding nut PM 41 M 10 and the bolt with a hexagonal head S 10X20. For double-sided mounting, the DT brackets are attached using S 10X70 bolts, M 10 nuts and PD 10 washers.

The ceiling profile can also be used as a support for cable trays on the wall or on the ceiling profile.

For safety purposes, the end of the profile may be fitted with an OKSPS protective cover.

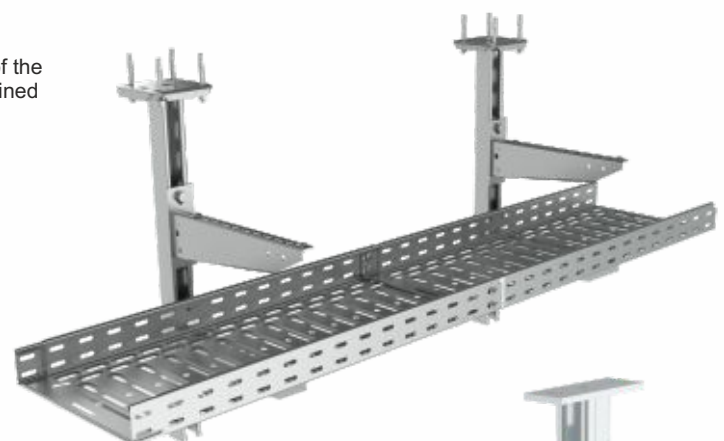


surface finish: F - suitable for indoor and outdoor installations (min. 1000 hours salt spray test according ISO 9227)

sales amount: 1 pc

classification 🔥: ČSN 73 0895 P 90-R
 DIN 4102-12 E 90
 STN 92 0205 PS 90
 Fire classification depends on the specific conditions of the cable tray, detailed in the catalog Systems with maintained functionality in fire

storage: ČSN EN 60721-3-1



 **WARNING****Risk of injury from cutting**

Although the cable trays are produced with maximum effort to minimize sharper edges, it is necessary to wear protective gloves to carry, grip and work with cable elements.

Electricity injury

As individual components of cable management systems are made of electrical conductive material, it is essential not to work with a system near live electrical parts. Infringement of the safety regulations may cause serious injury of health or death.

Safe Use

Under normal and foreseeable conditions of use, there are no risks to consumers, provided that proper installation and usage are carried out in accordance with the installation manual.

recycling codes:



SPS