

type number	A (mm)	weight (kg/pc)
SPT 200_F	208	1,8
SPT 400_F	408	3,05
SPT 500_F	508	3,6
SPT 600_F	608	4,2
SPT 800_F	808	5,5
SPT 1000_F	1008	6,7
SPT 1200_F	1208	8
SPT 1500_F	1508	9,9
SPT 1800_F	1808	12
SPT 2000_F	2008	13,3



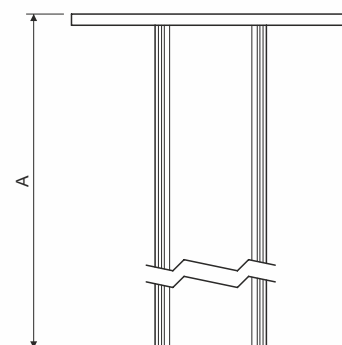
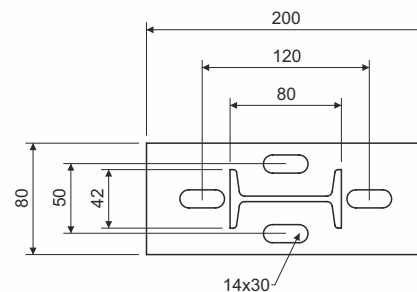
product description: The ceiling profile is used as an element to create a supporting structure for a cable tray and to attach it to the ceiling or floor. Designated for one sided and double sided fastening of the clamp brackets DRT.

For safety purposes, the end of the profile may be fitted with an OKSPT protective cover.

surface finish: F - Hot Dip Galvanized according to ČSN EN ISO 1461, zinc-layer 45 µm (min. 35 µm)

sales amount: 1 pc

storage: ČSN EN 60721-3-1



 **WARNING****Risk of injury from cutting**

Although the cable trays are produced with maximum effort to minimize sharper edges, it is necessary to wear protective gloves to carry, grip and work with cable elements.

Electricity injury

As individual components of cable management systems are made of electrical conductive material, it is essential not to work with a system near live electrical parts. Infringement of the safety regulations may cause serious injury of health or death.

Safe Use

Under normal and foreseeable conditions of use, there are no risks to consumers, provided that proper installation and usage are carried out in accordance with the installation manual.

recycling codes:



SPT