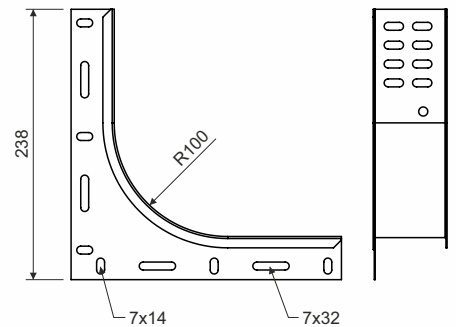
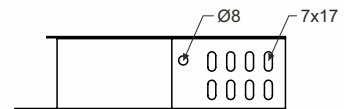
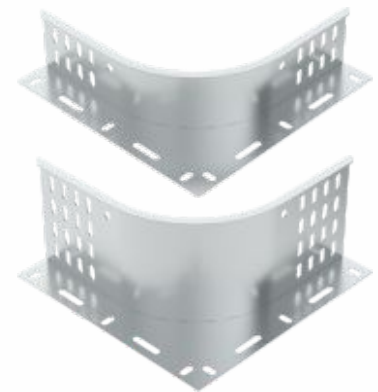


type number	for width of cable tray (mm)	thickness of metal sheet (mm)	weight (kg/pc)	amount of bolts for connection (pc)	🔥
SU 35_S	35	1	0,23	4	
SU 35_F			0,27		
SU 60_S	60	1	0,30	4	🔥
SU 60_F			0,34		
SU 60_ZM			0,30		
SU 85_S	85	1	0,36	8	
SU 110_S			0,44		
SU 110_F	110	1	0,51	8	🔥
SU 110_ZM			0,44		



product description:

It is used for making an additional branching use an unequal T-piece or cross.
 Advantage of this using is availability to choose bending tray with any width.
 The reduction piece is delivered in singles, must be used 2 pieces for installation.
 The connection is performed using the bolts NSM 6X10. To protect the cables, the bolt head is inside the cable tray.
 A bolt with a GMT surface finish is used for a tray with F and ZM surface finish.
 These items can also be ordered in a varnished version.

surface finish:

S - Pre-Galvanized according to EN 10346, EN 10143, zinc-layer 15-27 µm
 F - Hot Dip Galvanized according to ČSN EN ISO 1461, zinc-layer 45 µm (min. 35 µm)
 ZM - galvanized steel with admixture of magnesium and aluminum according to EN 10346, EN 10143, protective layer 18-31 µm

sales amount:

1 pc

meets the requirements:

ČSN EN 61537:02

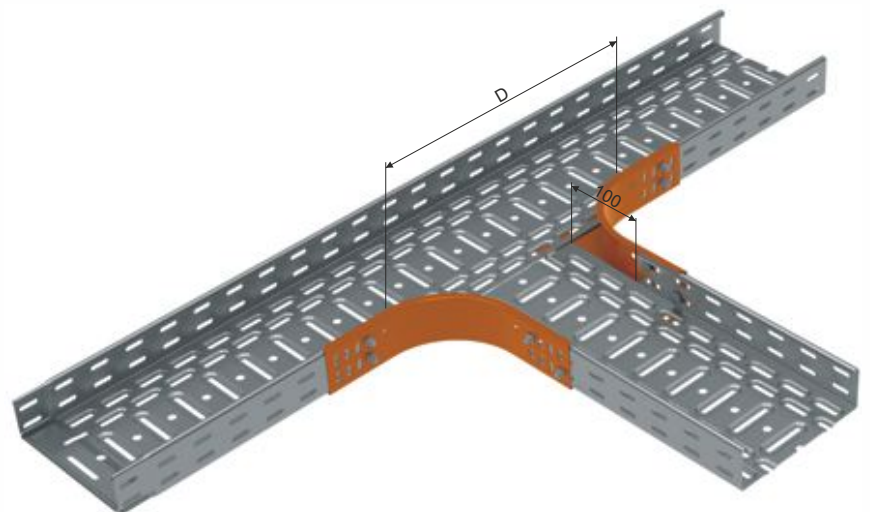
classification 🔥:

ČSN 73 0895 P 90-R
 DIN 4102-12 E 90
 STN 92 0205 PS 90
 Fire classification depends on the specific conditions of the cable tray, detailed in the catalog Systems with maintained functionality in fire

storage:

ČSN EN 60721-3-1

length of cut out side wall of the tray for branch	
width of cable tray	D
50	250
100	300
150	350
200	400
300	500
400	600
500	700
600	800



 **WARNING****Risk of injury from cutting**

Although the cable trays are produced with maximum effort to minimize sharper edges, it is necessary to wear protective gloves to carry, grip and work with cable elements.

Electricity injury

As individual components of cable management systems are made of electrical conductive material, it is essential not to work with a system near live electrical parts. Infringement of the safety regulations may cause serious injury of health or death.

Safe Use

Under normal and foreseeable conditions of use, there are no risks to consumers, provided that proper installation and usage are carried out in accordance with the installation manual.

recycling codes:



reduktion piece



cardboard