

# elica



**ELICA GALAXY ISLAND SZIGET ELSZÍVÓ**

**EN Instruction on mounting and use**

**HU Felszerelési és használati utasítás**

**Importőr:**

**MULTIKOMPLEX BUDAPEST KFT.**

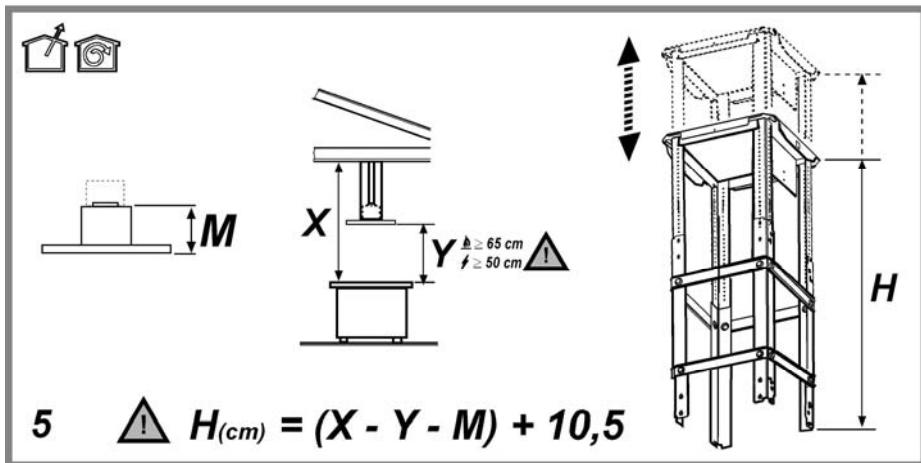
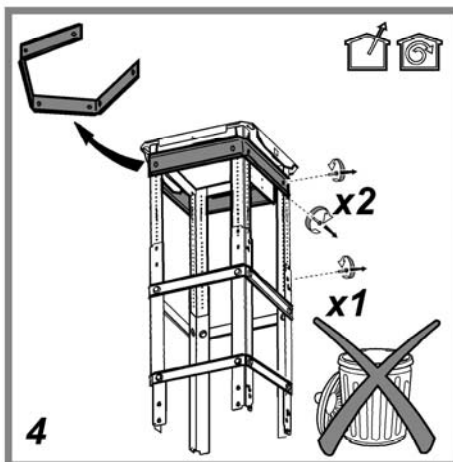
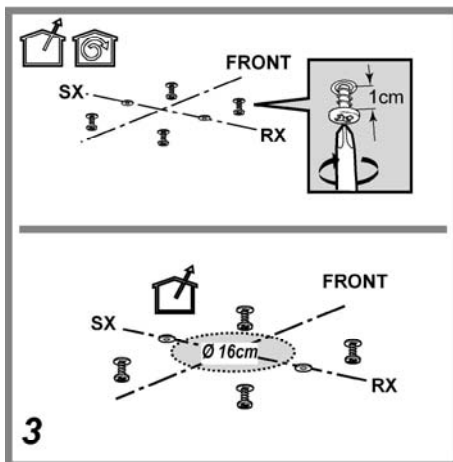
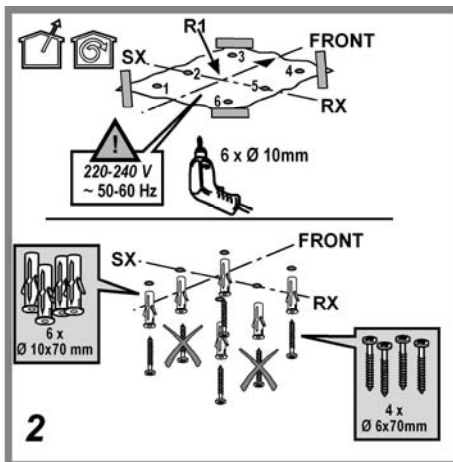
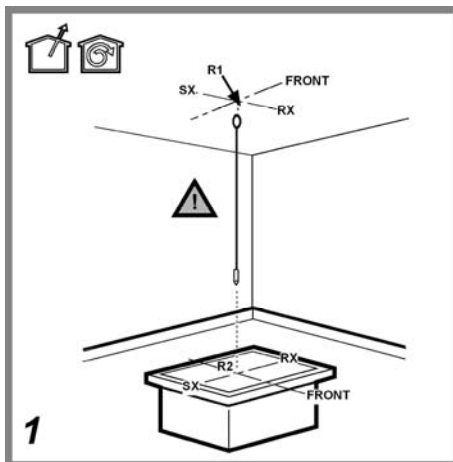
A páraelszívók szakértője... 1995 óta

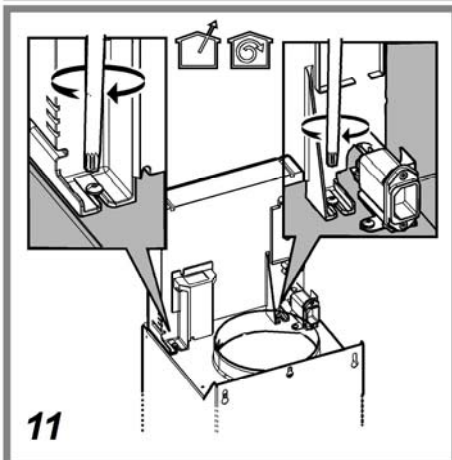
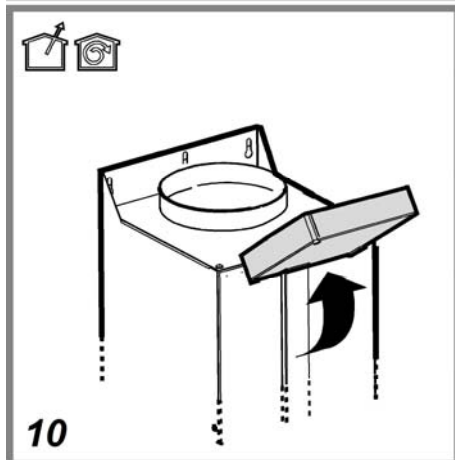
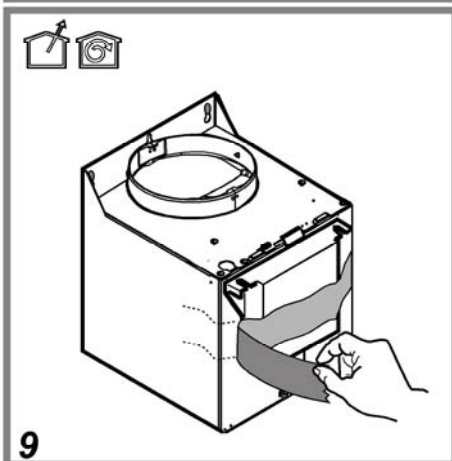
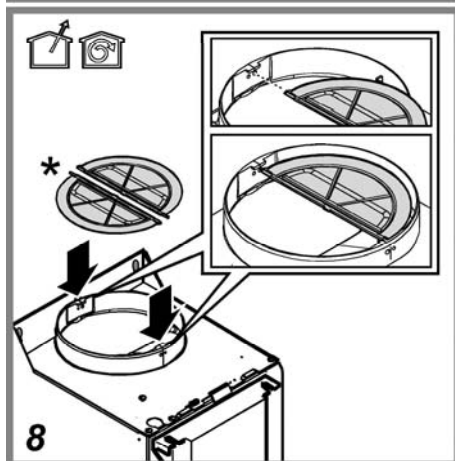
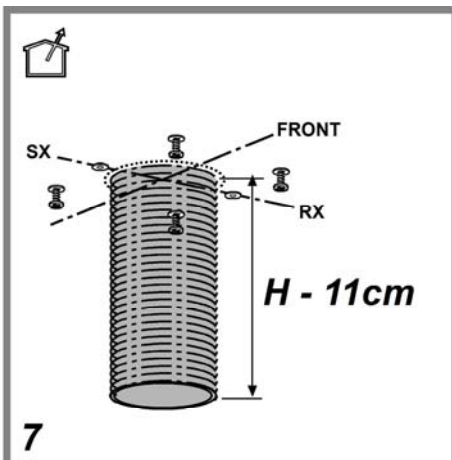
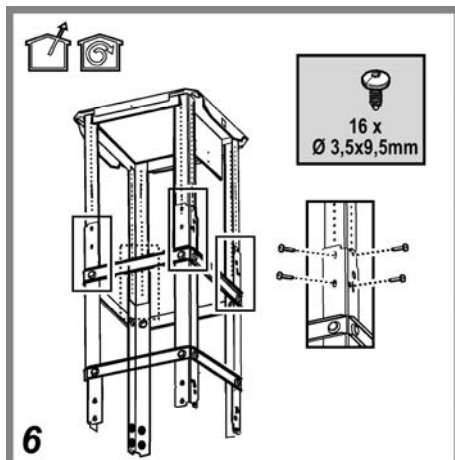
**H-1211 Budapest Mansfeld Péter utca 27.**

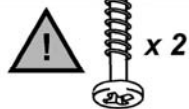
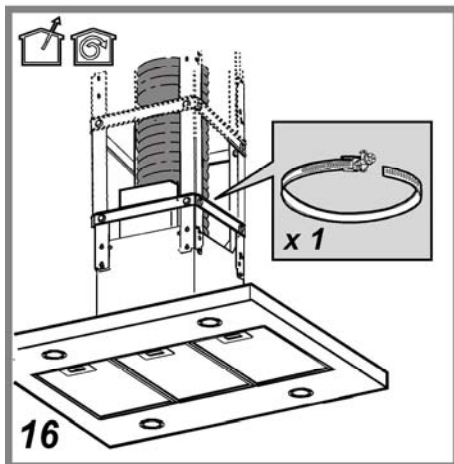
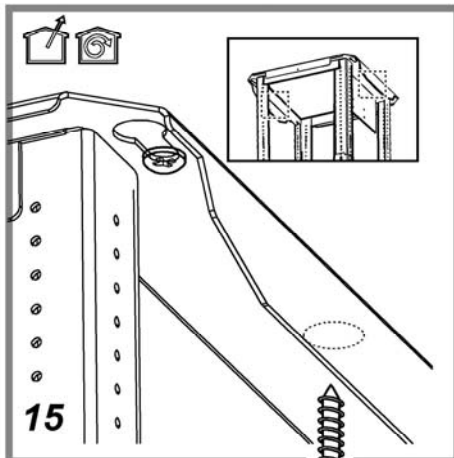
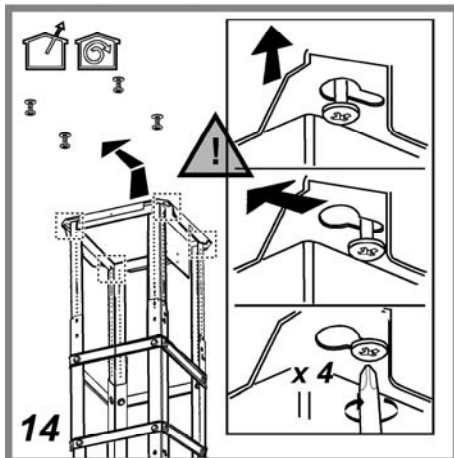
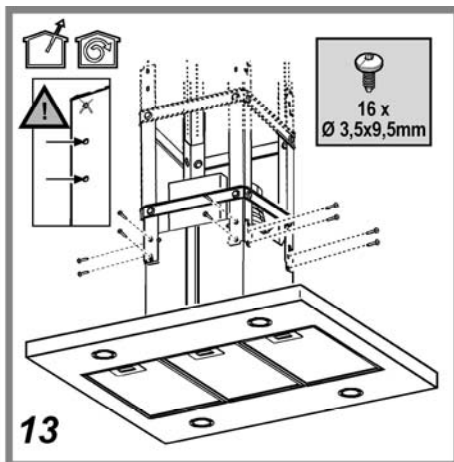
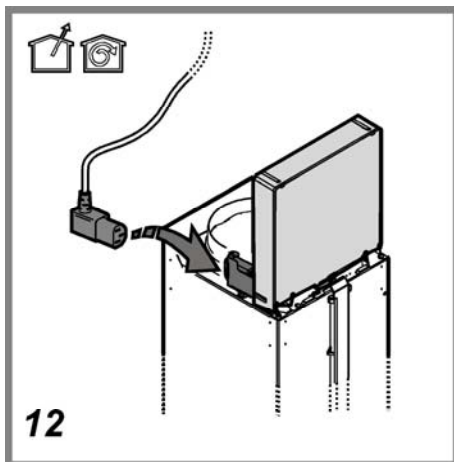
**tel.: (36-1) 427 0325**

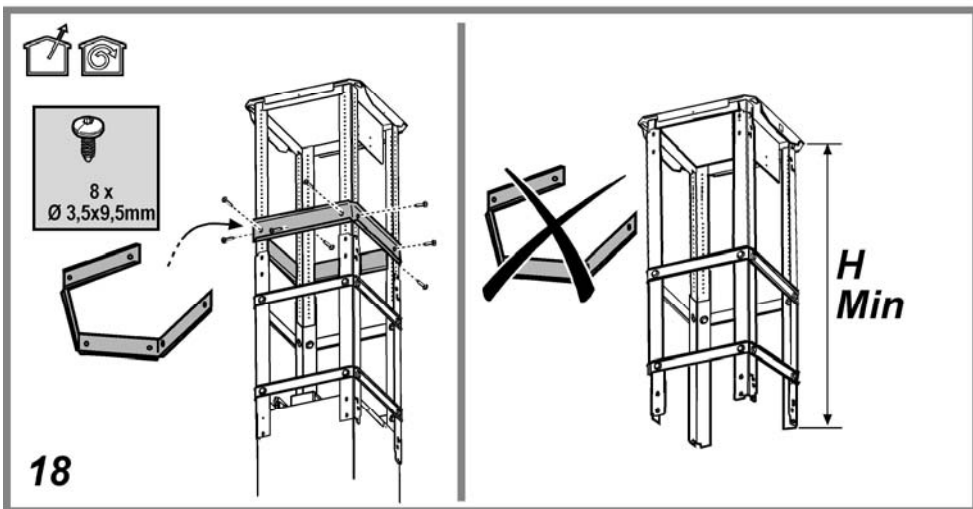
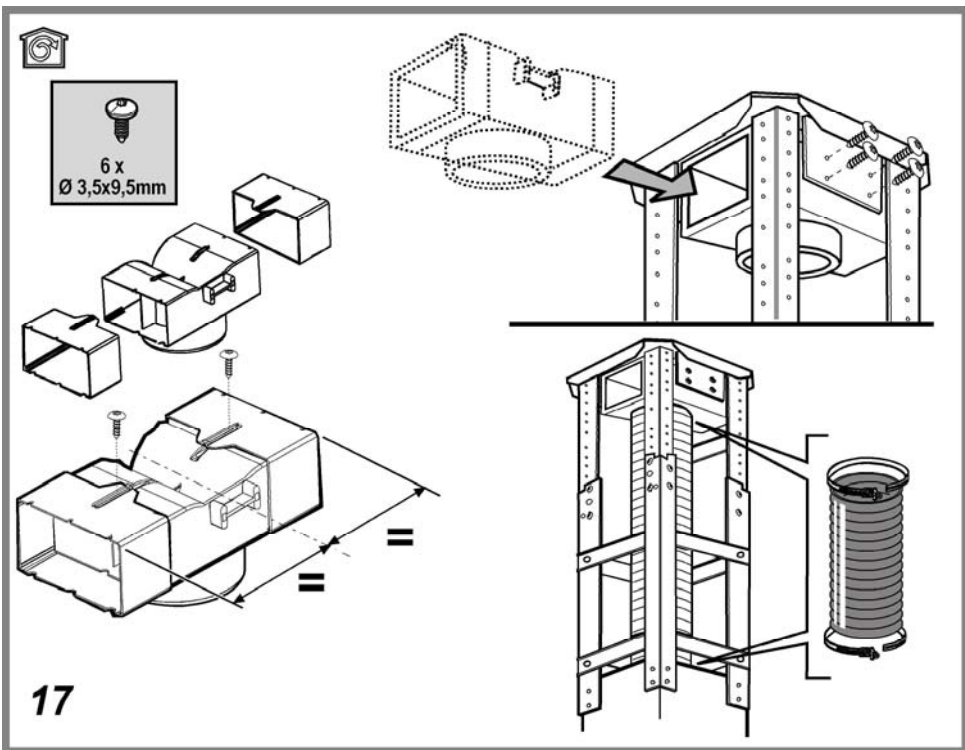
**[www.multikomplex.hu](http://www.multikomplex.hu)**

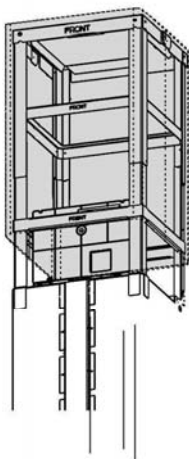




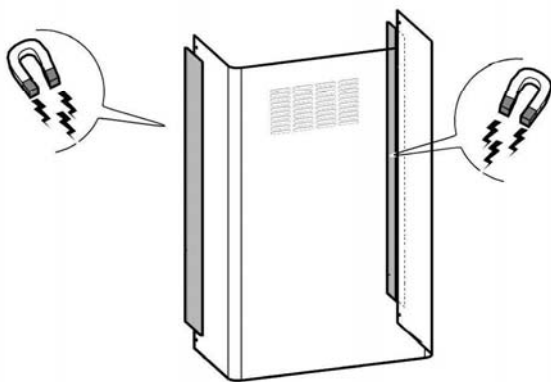
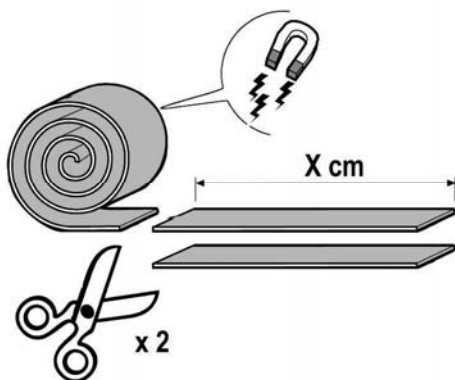
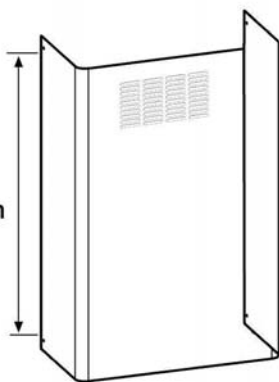


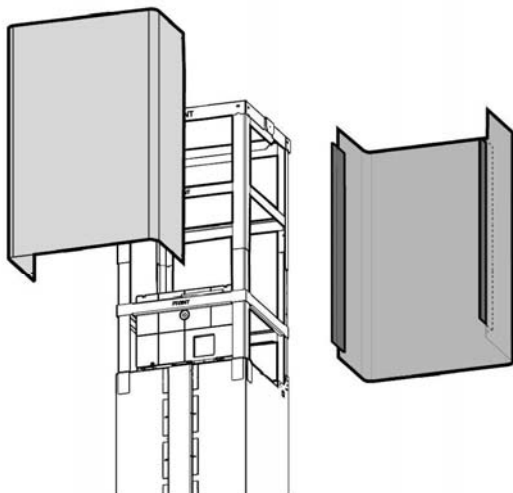




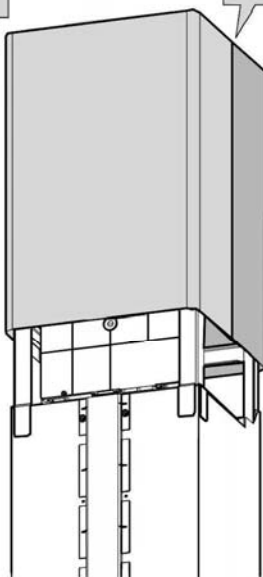
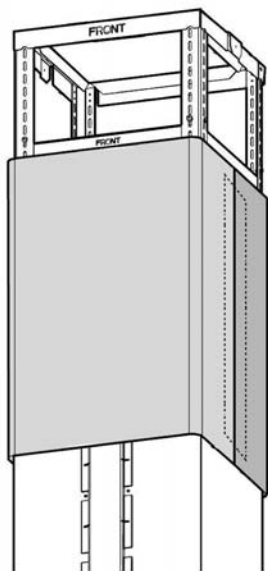
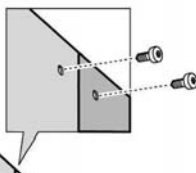
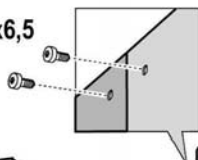


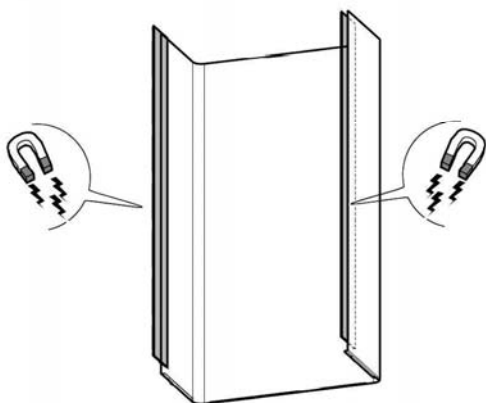
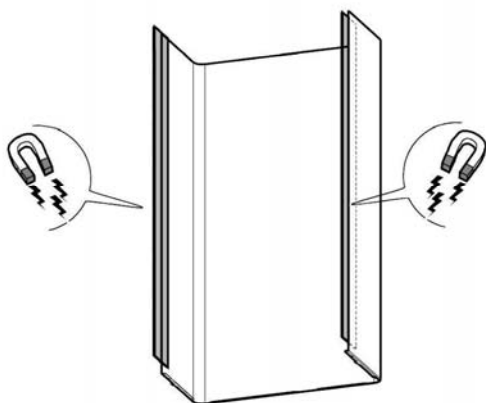
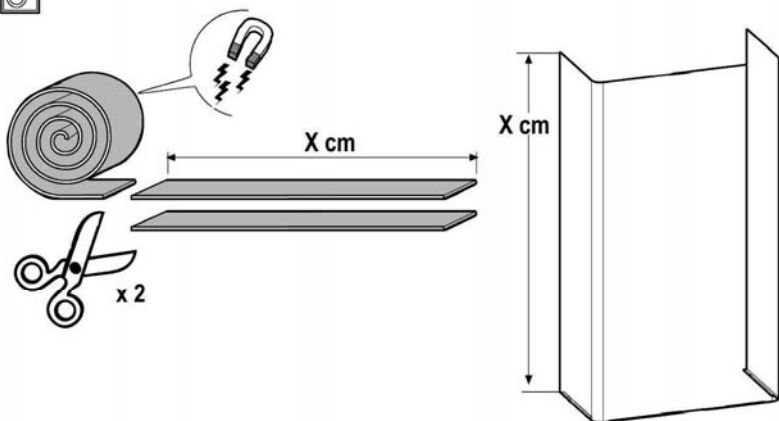
X cm

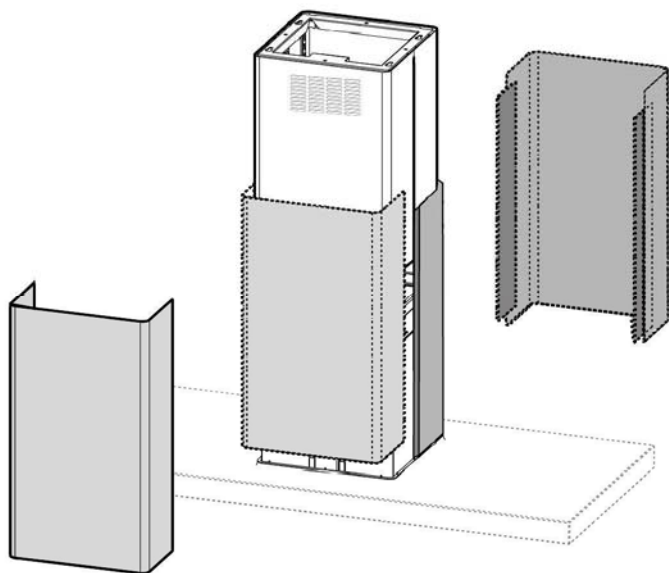




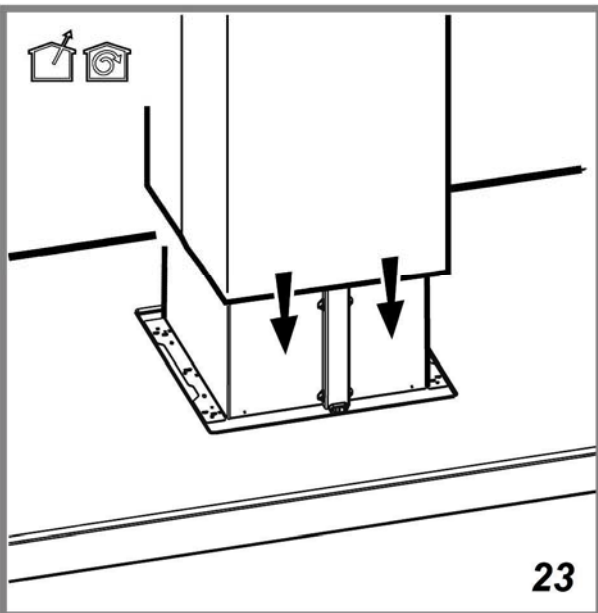
4 x Ø 2,9x6,5



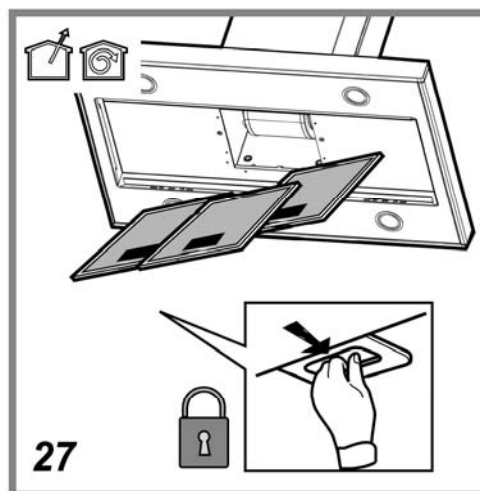
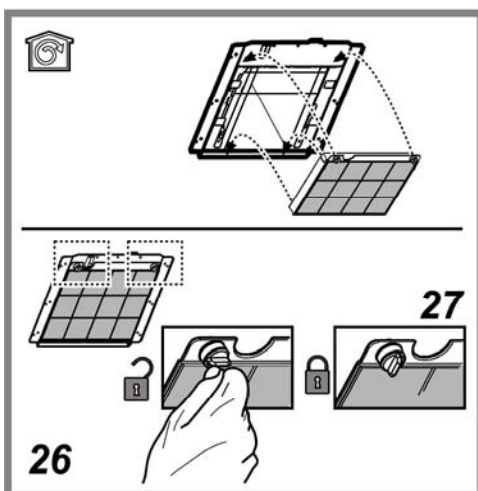
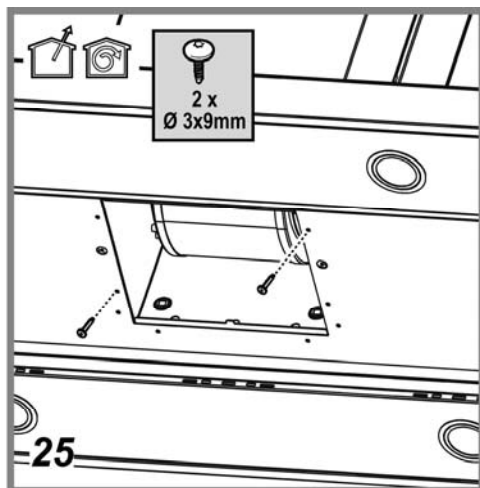
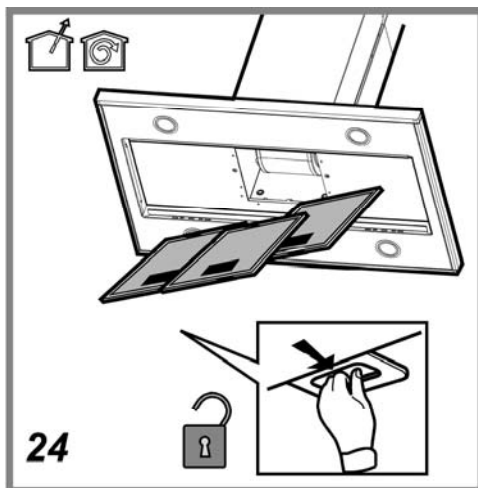




22



23



**Closely follow the instructions set out in this manual.** All responsibility, for any eventual inconveniences, damages or fires caused by not complying with the instructions in this manual, is declined. This appliance is intended to be used in household and similar application such as: - staff kitchen areas in shop, offices and other working environments; - farm houses; - by clients in hotels, motels and other residential type environments; - bed and breakfast type environments.

**The hood can look different to that illustrated in the drawings in this booklet. The instructions for use, maintenance and installation, however, remain the same.**

- It is important to conserve this booklet for consultation at any moment. In the case of sale, cession or move, make sure it is together with the product.
- Read the instructions carefully: there is important information about installation, use and safety.
- Do not carry out electrical or mechanical variations on the product or on the discharge conduits.
- Before proceeding with the installation of the appliance verify that there are no damaged all components. Otherwise contact your dealer and do not proceed with the installation.

**Note:** The parts marked with the symbol "(\*)" are optional accessories supplied only with some models or otherwise not supplied, but available for purchase.



### Caution

- Before any cleaning or maintenance operation, disconnect hood from the mains by removing the plug or disconnecting the mains electrical supply.
- Always wear work gloves for all installation and maintenance operations.
- This appliance can be used by children aged from 8 years and above and persons with reduced physical, sensory or mental capabilities or lack of experience and knowledge if they have been given supervision or instruction concerning use of the appliance in a safe way and understand the hazards involved.
- Children shall not be allowed to tamper with the controls or play with the appliance.
- Cleaning and user maintenance shall not be made by children without supervision.
- The premises where the appliance is

installed must be sufficiently ventilated, when the kitchen hood is used together with other gas combustion devices or other fuels.

- The hood must be regularly cleaned on both the inside and outside (AT LEAST ONCE A MONTH).
- This must be completed in accordance with the maintenance instructions provided. Failure to follow the instructions provided regarding the cleaning of the hood and filters will lead to the risk of fires.
- Do not flambé under the range hood.
- For lamp replacement use only lamp type indicated in the Maintenance/Replacing lamps section of this manual.

The use of exposed flames is detrimental to the filters and may cause a fire risk, and must therefore be avoided in all circumstances.

Any frying must be done with care in order to make sure that the oil does not overheat and ignite.


**CAUTION:** Accessible parts of the hood may become hot when used with cooking appliances.

- Do not connect the appliance to the mains until the installation is fully complete.
- With regards to the technical and safety measures to be adopted for fume discharging it is important to closely follow the regulations provided by the local authorities.
- The air must not be discharged into a flue that is used for exhausting fumes from appliance burning gas or other fuels.
- Do not use or leave the hood without the lamp correctly mounted due to the possible risk of electric shocks.
- Never use the hood without effectively mounted grids.
- The hood must NEVER be used as a support surface unless specifically indicated.
- Use only the fixing screws supplied with the product for installation or, if not supplied, purchase the correct screws type.
- Use the correct length for the screws which are identified in the Installation Guide.
- In case of doubt, consult an authorized service assistance center or similar qualified person.

## **WARNING!**

- Failure to install the screws or fixing device in accordance with these instructions may result in electrical hazards.
  - Do not use with a programmer, timer, separate remote control system or any other device that switches on automatically.
- This appliance is marked according to the European directive 2012/19/EC on Waste Electrical and Electronic Equipment (WEEE).
- By ensuring this product is disposed of correctly, you will help prevent potential negative consequences for the environment and human health, which could otherwise be caused by inappropriate waste handling of this product.



- The symbol  on the product, or on the documents accompanying the product, indicates that this appliance may not be treated as household waste. Instead it should be taken to the appropriate collection point for the recycling of electrical and electronic equipment. Disposal must be carried out in accordance with local environmental regulations for waste disposal.
- For further detailed information regarding the process, collection and recycling of this product, please contact the appropriate department of your local authorities or the local department for household waste or the shop where you purchased this product.

Appliance designed, tested and manufactured according to:

- Safety: EN/IEC 60335-1; EN/IEC 60335-2-31, EN/IEC 62233.
- Performance: EN/IEC 61591; ISO 5167-1; ISO 5167-3; ISO 5168; EN/IEC 60704-1; EN/IEC 60704-2-13; EN/IEC 60704-3; ISO 3741; EN 50564; IEC 62301.
- EMC: EN 55014-1; CISPR 14-1; EN 55014-2; CISPR 14-2; EN/IEC 61000-3-2; EN/IEC 61000-3-3. Suggestions for a correct use in order to reduce the environmental impact: Switch ON the hood at minimum speed when you start cooking and kept it running for few minutes after cooking is finished. Increase the speed only in case of large amount of smoke and vapor and use boost speed(s) only in extreme situations. Replace the charcoal filter(s) when necessary to maintain a good odor reduction efficiency. Clean the grease filter(s) when necessary to maintain a good grease filter efficiency. Use the maximum diameter of the ducting system indicated in this manual to optimize efficiency and minimize noise.

## **Use**

The hood is designed to be used either for exhausting or filter version.



### **Extraction version**

In this case the fumes are conveyed outside of the building by means of a special pipe connected with the connection ring located on top of the hood.

## **CAUTION!**

The exhausting pipe is not supplied and must be purchased apart.

Diameter of the exhausting pipe must be equal to that of the connection ring.

## **CAUTION!**

If the hood is supplied with active charcoal filter, then it must be removed.

Connect the hood and discharge holes on the walls with a diameter equivalent to the air outlet (connection flange).

Using the tubes and discharge holes on walls with smaller dimensions will cause a diminution of the suction performance and a drastic increase in noise.

Any responsibility in the matter is therefore declined.

! Use a duct of the minimum indispensable length.

! Use a duct with as few elbows as possible (maximum elbow angle: 90°).

! Avoid drastic changes in the duct cross-section.



### **Filtration version**

The aspirated air will be degreased and deodorised before being fed back into the room.

In order to use the hood in this version, you have to install a system of additional filtering based on activated charcoal.

The models with no suction motor only operate in ducting mode, and must be connected to an external suction device (not supplied).

The connecting instructions are supplied with the peripheral suction unit.

## **Installation**

The minimum distance between the supporting surface for the cooking equipment on the hob and the lowest part of the range hood must be not less than 50cm from electric cookers and 65cm from gas or mixed cookers.

If the instructions for installation for the gas hob specify a greater distance, this must be adhered to.

## **Electrical connection**

The mains power supply must correspond to the rating indicated on the plate situated inside the hood. If provided with a plug connect the hood to a socket in compliance with current regulations and positioned in an accessible area, after installation. If it not fitted with a plug (direct mains connection) or if the plug is not located in an accessible area, after installation, apply a double pole switch in accordance with standards which assures the complete disconnection of the

mains under conditions relating to over-current category III, in accordance with installation instructions.

## **⚠ WARNING!**

Before re-connecting the hood circuit to the mains supply and checking the efficient function, always check that the mains cable is correctly assembled.

The hood is provided with a special power cable ; if the cable is damaged, request a new one from Technical Service.

## **Mounting**

This type of cooker hood must be fixed to the ceiling.

**Very heavy product; hood handling and installation must be carried out by at least two persons.**

**Before beginning installation:**

- Check that the product purchased is of a suitable size for the chosen installation area.
- Remove the charcoal (\*) filter/s if supplied (see also relative paragraph). This/these is/are to be mounted only if you want to use the hood in the filtering version.
- Check (for transport reasons) that there is no other supplied material inside the hood (e.g. packets with screws (\*), guarantees (\*), etc.), eventually removing them and keeping them.

Expansion wall plugs are provided to secure the hood to most types of walls/ceilings. However, a qualified technician must verify suitability of the materials in accordance with the type of wall/ceiling. The wall/ceiling must be strong enough to take the weight of the hood.

**Do not tile, grout or silicone this appliance to the wall.**

**Surface mounting only.**

## **Operation**



**T1. Lights ON/OFF**

**T2. Speed decrease**

Press "T2" button to decrease the speed from 4 (intensive) to 1.

Press "T2" button during operation at speed 1, the hood sets to OFF.

**T3. Speed increase**

Press T3 button and the hood sets from OFF to speed 1.

Press the button (hood ON) to increase the speed of the motor from 1 to 4 (intensive).

The respective LED goes on for each speed.

**Speed 1 - LED 1**

**Speed 2 - LED 2**

**Speed 3 - LED 3**

**Speed 4 (Intensive) - LED 4 (flashing)**

The intensive speed is timed. Standard timing is 5', at the end of which the hood sets to speed 2.

To deactivate the function before time is up press T2

button, the hood sets to speed 3.

**T4. Speed timing**

Speed timing is activated by pressing T4 button, when timing is up the hood switches off.

Timing is divided as follows:

**Speed 1 - 20 minutes (LED 1 flashing)**

**Speed 2 - 15 minutes (LED 2 flashing)**

**Speed 3 - 10 minutes (LED 3 flashing)**

**Speed 4 (Intensive) - 5 minutes (LED 4 flashing)**

During timed operation press T2 button and the hood quits the timed mode and decreases the speed.

Press T3 button and the hood quits the timed mode and increases the speed.

Press T4 button and the hood quits the timed mode maintaining the set speed.

**Grease filter signal**

After 40 hours of operation LED 1 flashes.

When such signal appears the grease filter installed needs to be washed.

To reset the signal, keep T4 button pressed for 5".

The hood gives out a "BEEP" and LED 1 stops flashing.

**Charcoal filter signal**

After 160 hours of operation LED 2 flashes.

When such signal appears the charcoal filter installed must be replaced.

To reset the signal, keep T4 button pressed for 5".

The hood gives out a "BEEP" and LED 2 stops flashing.

In case of contemporaneous signalling of both filters, LEDs 1 and 2 flash alternatively.

To reset, carry out the procedure described above for 2 times.

The first time it resets the charcoal filter signal, the second time it resets the grease filter signal.

The charcoal filter signal is not active in the standard mode.

In case the hood is used in filter version it is necessary to enable the charcoal filter signal.

**Activating charcoal filter signal:**

Set the hood to OFF and press T4 button for 5".

Once the button has been pressed, the LEDs related to the filter signals currently active light up.

The hood gives out a "BEEP" and LED 2 flashes for 2".

LEDs 1 and 2 remain on for about 2" before the hood goes back to OFF.

**Deactivating charcoal filter signal:**

Set the hood to OFF and press T4 button for 5".

Once the button has been pressed, the LEDs related to the filter signals currently active light up.

The hood gives out a "BEEP" and LED 2 switches off.

LED 1 remain on for about 2" before the hood goes back to OFF.

## Maintenance

### Cleaning

Clean using **ONLY** a cloth dampened with neutral liquid detergent. **DO NOT CLEAN WITH TOOLS OR INSTRUMENTS.** Do not use abrasive products. **DO NOT USE ALCOHOL!**

### Grease filter

Fig. 24-27

#### Traps cooking grease particles.

This must be cleaned once a month (or when the filter saturation indication system – if envisaged on the model in possession – indicates this necessity) using non aggressive detergents, either by hand or in the dishwasher, which must be set to a low temperature and a short cycle.

When washed in a dishwasher, the grease filter may discolor slightly, but this does not affect its filtering capacity.

To remove the grease filter, pull the spring release handle.

### Charcoal filter (filter version only)

Fig. 26

#### It absorbs unpleasant odors caused by cooking.

The activated charcoal filter can be one of these types:

- **Washable activated charcoal filter.**
- **NON-washable activated charcoal filter.**

#### Washable activated charcoal filter

The charcoal filter can be washed once every two months (or when the filter saturation indication system – if envisaged on the model in possession – indicates this necessity) using hot water and a suitable detergent, or in a dishwasher at 65°C (if the dishwasher is used, select the full cycle function and leave dishes out).

Eliminate excess water without damaging the filter, then remove the mattress located inside the plastic frame and put it in the oven for 10 minutes at 100° C to dry completely. Replace the mattress every 3 years and when the cloth is damaged.

#### NON-washable activated charcoal filter

The saturation of the **charcoal filter** occurs after more or less prolonged use, depending on the type of cooking and the regularity of cleaning of the grease filter.

In any case it is necessary to replace the cartridge at least every four months.

The charcoal filter may NOT be washed or regenerated.

### Assembly

Hook the charcoal filter at the back on the metal tongue of the hood first, then on the front with the two knobs.

### Disassembly

Remove the charcoal filter by turning the knobs fixing it to the hood by 90°.

### Replacing lamps

The hood is equipped with a lighting system based on LED technology.

The LEDs guarantee an optimum lighting, a duration up to 10 times as long as the traditional lamps and allow to save 90% electrical energy.

For replacement, contact the technical service.

Ezen kézikönyv utasításait szigorúan be kell tartani. Az itt feltüntetett utasítások be nem tartásából származó bármilyen hiba, kár vagy tüzesettel kapcsolatban a gyártó felelősséget nem vállal. A páraelszívó a fűzési pára és füst elszívására szolgál, kizárólag háztartási használatra.

**Az elszívó esztétikai megjelenésében eltérhet a jelen kézikönyv ábráin szereplőtől, de a használati, karbantartási és felszerelési utasítások nem változnak.**

- Fontos, hogy ezt a kézikönyvet megőrizze, hogy bármikor tájékozódhasson belőle. Eladás, átadás vagy költözés esetén gondoskodjon arról, hogy a kézikönyv a terméket kísérje.
- Az útmutatásokat figyelmesen olvassa el: fontos tájékoztatások találhatók köztük a telepítésre, a használatra és a biztonságra vonatkozóan.
- Ne módosítsa a termék elektromos vagy mechanikai rendszerét, vagy a kivezető csöveket.
- A berendezés beszerelésének megkezdése előtt győződjön meg róla, hogy minden alkatrész sérülésmentes-e. Ellenkező esetben forduljon a viszonteladóhoz és ne szerelje fel a berendezést.

**Megjegyzés:** A „(\*)” jelzésű részek opcionális kiegészítők, amelyek csak az egyes modellek tartozékai, illetve olyan részek, amelyek nem részei a csomagagnak, külön kell ezeket beszereznie.

### Figyelmeztetés

- Bármilyen tisztítási és karbantartási művelet megkezdése előtt, a készüléket le kell választani az elektromos hálózatról! Húzza ki a készülék villásdugóját, vagy áramtalanítsa a háztartási elosztódoboz főkapcsolóját lekapcsolva!
- Minden beszerelési és karbantartási munkálathoz használjon munkavédelmi kesztyűt!
- A készüléket 8 éven felüli gyerekek, valamint a csökkent fizikális, érzékszervi és szellemi képességekkel bíró személyek, illetve azok, akik nem rendelkeznek megfelelő tudással és tapasztalattal, kizárólag megfelelő felügyelet mellett használhatják, illetve abban az esetben, ha megfelelő útmutatást kaptak a készülék biztonságos használatát illetően és megértették a készülék használatával

járó veszélyeket!

- Ne engedje, hogy a gyermekek játsszanak a készülékkel!
  - A készülék tisztítását és karbantartását gyermekek csak felügyelet mellett végezhetik!
  - Az elszívó más, gáz- vagy egyéb tüzelőanyagú készülékkel való egyidejű használata esetén biztosítani kell a helyiség megfelelő szellőzését!
  - Az elszívót mind belül, mind kívül (LEGALÁBB HAVONTA EGYSZER) rendszeres gyakorisággal tisztítani kell!
  - A kézikönyvben feltüntetett karbantartási utasításokat minden esetben tartsa be!
  - Az elszívó tisztítási előírásainak, valamint a szűrők cseréjének és tisztításának figyelmen kívül hagyása tűzveszélyt okoz! Az elszívó alatt szigorúan tilos nyílt lángon készíteni ételt!
  - Az izzó cseréjéhez kizárólag az e kézikönyv „karbantartás - izzó cseréje” c. részben megadott típusú izzót használjon!
- A nyílt láng használata károsítja a szűrőket és tűzveszélyt okozhat, emiatt minden esetben kerülni kell a nyílt láng használatát!
- Ne hagyja őrizetlenül a sütést, mert a túlhevült olaj meggyulladhat!
- FIGYELEM!** A főzőlap működése közben az elszívó hozzáférhető részei felforrósodhatnak!
- Ne csatlakoztassa a készüléket az elektromos hálózatra, amíg a beszerelést teljesen el nem végezte!
  - A füstelvezetéshez szükséges műszaki és biztonsági intézkedéseket illetően, az illetékes helyi hatóságok vonatkozó rendeleteit szigorúan tartsa be!
  - A keringetett levegőt nem szabad a gáz- vagy egyéb égéstermék üzemű készülékek füstjének elvezetéshez használt csőben szállítani!

- Ne használja az elszívót helytelenül felszerelt lámpával, illetve ne hagyja azt lámpa nélkül, mert áramütést okozhat!
- Soha ne használja az elszívót felszerelt rostély nélkül!
- Az elszívót SOHA ne használja tárolófelületként, hacsak az ilyen célra való használata nincs egyértelműen jelezve!
- Beszereléshez kizárólag a készülékhez mellékelte csavarokat használja! Amennyiben a csavar nem része a csomagnak, ügyeljen a megfelelő típusú csavarok beszerzésére!
- A beszerelési útmutatóban feltüntetett, megfelelő hosszúságú csavarokat használjon!
- Kétség esetén kérjen tájékoztatást a szakszerviztől, vagy hasonló képesítésű személyzettől!

## FIGYELEM!


- A csavarok és rögzítő elemeknek nem az útmutató szerinti felhelyezése áramütés-veszélyt okozhat!
- Ne használja programozóval, időzítővel, különálló távirányítóval vagy bármilyen más olyan eszközzel, amelyik automatikusan kapcsol be.

A készüléken található jelzés megfelel az elektromos és elektronikus berendezések hulladékairól szóló 2012/19/EC európai irányelvben (WEEE) foglalt előírásoknak.

A hulladékká vált termék szabályszerű elhelyezésével Ön segít elkerülni a környezettel és az emberi egészséggel kapcsolatos azon esetleges negatív következményeket, amelyeket a termék nem megfelelő hulladékkezelése egyébként okozhatna.

A terméken vagy a termékhez mellékelte dokumentumokon feltüntetett



 jelzés arra utal, hogy ez a termék nem kezelhető háztartási hulladékként. Ehelyett a terméket a villamos és elektronikus berendezések újrahasznosítását végző telephelyek valamelyikén kell leadni.

Kiselejtezőskor a hulladéktávoltításra vonatkozó helyi környezetvédelmi előírások szerint kell eljárni.

A termék kezelésével, hasznosításával és újrahasznosításával kapcsolatos bővebb tájékoztatásért forduljon a lakóhelye szerinti polgármesteri hivatalhoz, a háztartási hulladékok kezelését végző társasághoz vagy ahhoz a bolthoz, ahol a terméket vásárolta.

A berendezést a következő szabványoknak megfelelően tervezték, gyártották, és ellenőrizték:

- Biztonság: EN/IEC 60335-1; EN/IEC 60335-2-31, EN/IEC 62233.
- Teljesítmény: EN/IEC 61591; ISO 5167-1; ISO 5167-3; ISO 5168; EN/IEC 60704-1; EN/IEC 60704-2-13; EN/IEC 60704-3; ISO 3741; EN 50564; IEC 62301.
- Elektromágneses összeférhetőség EMC: EN 55014-1; CISPR 14-1; EN 55014-2; CISPR 14-2; EN/IEC 61000-3-2; EN/IEC 61000-3-3.

A megfelelő használatot és a környezetre gyakorolt káros hatás mérséklését elősegítő javaslatok: Az elszívót a minimum sebességen kapcsolja be akkor, amikor a főzést megkezdi, és hagyja néhány percig üzemelni még azt

követően is, hogy a főzést befejezte. A berendezést csak akkor kapcsolja nagyobb sebességfokozatra, ha a főzés közben nagy mennyiségű füst vagy gőz keletkezik, és csak akkor használja az intenzív sebességet, ha arra ténylegesen szükség van. Cserélje ki a szénszűrőket akkor, amikor a berendezés jelzi ennek szükségességét, így biztosíthatja, hogy a készülék hatékonyan nyeli el a szagokat. A megfelelő szűrőképesség biztosítása érdekében cserélje ki a zsírszűrőt akkor, amikor a berendezés erre figyelmeztet. A hatékonyság növelése és a zajszint csökkentése érdekében tanácsos a jelen útmutató által megadott maximális csóátmérőket alkalmazni.

## Használat

Az elszívót úgy tervezték, hogy kivezetett üzemmódban a szabadba történő kibocsátással, vagy filteres, keringtetett üzemmódban működhessen.



### Beszívó

A gőzök kivezetése a gyújtókarimához rögzített elvezető csövön történik.

## FIGYELEM!

Kivezetőcső nincs a csomagban, külön kell azt megvenni. Az elvezetőcső átmérője az összekötő gyűrű átmérőjével azonos kell legyen

## FIGYELEM!

Amennyiben az elszívó szénfilteres, szükséges annak kiemelése.

Csatlakoztassa a páraelszívót a levegőkimenettel (csatlakozó karima) azonos átmérőjű kivezető csőhöz.

A kisebb átmérőjű cső használata az elszívás hatásfokának csökkenését és a készülék zajszintjének drasztikus növekedéséhez vezet.

Ezért ezzel kapcsolatban felelősséget nem vállalunk.

! Minimális hosszúságú csővezeték használjon.

! A csővezeték a lehető legkevesebb hajlattal rendelkezzen (maximális hajlásszög: 90°).

! Kerülje a cső deformálódását.



### Szűrőverzió

Az elszívót levegő zsírtalanításra, majd szagtalanításra kerül, mielőtt a terembe visszaáramoltatásra kerülne. Az elszívó ilyen üzemmódban való használatához szükséges további, aktív szén alapú szűrőrendszer installálása.

Az elszívó motor nélküli modellek csak kivezetett változatban működnek és külső elszívó egységhez (ez nem jár a készülékhez) kell kötni őket.

A bekötési útmutató az elszívó egységhez van mellékelve.

## Felszerelés

A főzőkészülék felülete és a konyhai szagelszívó legalsó része közötti minimális távolság nem lehet kisebb, mint 50cm elektromos főzőlap, és 65cm gáz vagy vegyes tüzelésű főzőlap esetén.

Ha a gázfőzőlap beszerelési utasításában ennél nagyobb távolság szerepel, azt kellfigyelembe venni.

### Villamos bekötés

A hálózati feszültségnek azonosnak kell lennie a konyhai páraelszívó belsejében elhelyezett műszaki adattáblán feltüntetett feszültséggel. Ha az elszívó rendelkezik villásdugóval, csatlakoztassa egy hozzáférhető helyen elhelyezett, az érvényben lévő szabványoknak megfelelő dugaszoló aljzathoz, akár a beszerelést követően is. Ha nem rendelkezik csatlakozódugóval (közvetlen csatlakozás a hálózathoz) vagy a dugaszoló aljzat nem hozzáférhető, szereljen fel egy szabványos, kétpólusú megszakítót akár a beszerelést követően is, amely III. túláram-kategória esetén biztosítja a hálózatról való teljes leválasztását, a telepítési szabályoknak megfelelően.

### FIGYELEM!

Mielőtt az elszívó áramkörét visszaköti a hálózatba és ellenőrzi, hogy az elszívó helyesen működik-e, mindig ellenőrizze azt is, hogy a hálózati vezeték beszerelése szabályos-e.

Az elszívó speciális kábellel rendelkezik, melynek sérülése esetén cseréjét kérje a szakszervíz szolgáltatótól.

## Felszerelés

Ezt az elszívó típust a plafonhoz kell rögzíteni.

**Nagy súlya miatt a készülék mozgatását és üzembe helyezését legalább két vagy több személynek kell végeznie.**

**PMielőtt a telepítést elkezdene:**

- Ellenőrizze, hogy a megvásárolt termék a kiválasztott telepítési helynek megfelelő méretű-e.
- Vegye le az aktív szenes filtert/filtereket (\*) ha van a gépen (lásd a vonatkozó bekezdést is). Ezt csak akkor kell visszaszerelni, ha az elszívót keringtetett üzemmódban kívánja használni.
- Ellenőrizze, hogy az elszívó belsejében nem maradtak-e (szállítási igények miatt) tartozékok (például csavarokat tartalmazó zacskók (\*), garanciaokmány (\*) stb.) ha igen, vegye ki és őrizze meg.

Az elszívót a legtöbb falhoz/mennyezethez alkalmas rögzítő tiplikkel láttuk el. Mindazonáltal szakembert kérdezzen meg arról, alkalmasak-e az anyagok az adott falhoz/mennyezethez. A falnak/mennyezetnek elegendően erősnek kell lennie, hogy az elszívó súlyát megtartsa.

## Működése



**T1. Világítás ON/OFF**

**T2. Sebességcsökkentés**

A "T2" gomb megnyomásával a sebesség a 4-es fokozatról (intenzív) az 1. sebességfokozatra csökkenthető.

A "T2" gomb 1-es sebességben való működés közbeni lenyomásával az elszívó OFF állapotra vált.

**T3 Sebesség növelése**

A T3 gomb megnyomásával az elszívó OFF állapotból 1. sebességbe kapcsol.

A gombot megnyomva (ON állapotú elszívónál) a motor sebessége az 1-ről a 4. (intenzív) sebességfokozatra növelhető.

Minden egyes sebességfokozatot a megfelelő led felvilágítása jelez:

**1 sebességfokozat** - led 1

**2 sebességfokozat** - led 2

**3 sebességfokozat** - led 3

**4 sebességfokozat (intenzív)** - led 4 (villogó)

Az intenzív sebesség időkorlátozott. A standard időhatár 5', mely leteltével az elszívó a 2. sebességfokozatra vált.

A funkció deaktiválásához az időhatár lejártá előtt nyomja meg a T2 gombot, így az elszívó a 3. sebességfokozatra kapcsol.

**T4 A sebesség időszabályozása**

A sebesség időszabályozása a T4 gombbal lehetséges, a beállított idő leteltével az elszívó leáll.

Az időszabályozás az alábbiak szerinti:

**1 sebességfokozat** - 20 perc (villogó led 1)

**2 sebességfokozat** - 15 perc (villogó led 2)

**3 sebességfokozat** - 10 perc (villogó led 3)

**4 sebességfokozat (intenzív)** - 5 perc (villogó led 4)

Az időszabályozott működés során a T2 gomb lenyomásával az elszívó kilép az időszabályozott modalitásból és csökkentett sebességre vált.

A T3 gomb lenyomásával az elszívó kilép az időszabályozott módból és emeli a sebességet.

A T4 gomb lenyomásával az elszívó kilép az időszabályozott módból, és megtartja a beállított sebességet.

**Zsírfilter kijelzései**

40 óra üzemidő leteltével a led 1 villog.

Amikor ez a jelzés feltűnik, a zsírfiltert ki kell mosni.

A kijelzés visszaállításához tartsa lenyomva a T4 gombot 5"-ig.

Az elszívó ekkor egy "BEEP" hangot ad, valamint a led 1 villogása abbamarad.

## Szénszűrő kijelzései

160 óra üzemidő leteltével a led 2 villog.

Amikor ez a jelzés feltűnik, a szénszűrő cseréje szükséges.

A kijelzés visszaállításához tartsa lenyomva a **T4** gombot 5"-ig.

Az elszívó ekkor egy "BEEP" hangot ad , valamint a led 2 villogása abbamarad.

Mindkét filter egyidejű kijelzése esetén, mind a led 1 és 2 felváltva villog.

Visszaállításuk a fent leírt folyamat 2-szeri végrehajtásával lehetséges.

Az első lépés a szénszűrőt, a második a zsírfilter kijelzését állítja vissza.

Standard módban a szénszűrő kijelzés nincs aktiválva.

Amennyiben az elszívót szűrős módban használja, a szénszűrő kijelzést aktiválnia szükséges.

## Szénszűrő kijelzés aktiválása:

Állítsa az elszívót OFF állapotba és tartsa lenyomva a **T4** gombot 5"-ig.

A gomb megnyomásakor az éppen akkor aktív filterek kijelző ledjei bekapcsolnak.

Az elszívó ekkor egy "BEEP" hangot ad , valamint a led 2 2"-ig villog.

Az 1 és 2 ledék bekapcsolva maradnak cca 2"-ig, mielőtt az elszívó visszaállna OFF állapotba.

## Szénszűrő kijelzés deaktiválása:

Állítsa az elszívót OFF állapotba és tartsa lenyomva a **T4** gombot 5"-ig.

A gomb megnyomásakor az éppen akkor aktív filterek kijelző ledjei bekapcsolnak.

Az elszívó ekkor egy "BEEP" hangot ad , valamint a led 2 elalszik.

A led 1 bekapcsolva marad cca 2"-ig, mielőtt az elszívó visszaállna OFF állapotba.

## Karbantartás

### Tisztítás

A tisztításhoz **KIZÁRÓLAG** semleges folyékony mosószerrel átitatott nedves ruhát használjon. **A TISZTÍTÁSHOZ NINCS SZÜKSÉG SEMMILYEN ESZKÖZRE.** Kerülje a súrolószert tartalmazó mosószernek használatát. **NE HASZNÁLJON ALKOHOLT!**

### Zsírzsűrő filter

#### ábra 24-27

#### Visszatartja a főzésből eredő zsírrészecskéket.

Havonta egyszer (vagy amikor a filter telítődésjelző rendszere - ha a megvásárolt modell rendelkezik ilyenrel - jelzi, hogy szükség van rá) nem agresszív tisztítószerrel, kézzel vagy mosogatógépben, alacsony hőfokon és rövid ciklussal el kell mosogatni.

Mosogatógépben történő mosogatás a zsírzsűrő elszíneződését okozhatja, de ez nem változtat hatékonyságán.

A zsírzsűrő filter leszereléséhez húzza meg a rugós horgot.

## Szénfilter (csak keringtetett változat esetén)

### ábra 26

#### Magában tartja a főzésből származó kellemetlen szagokat.

Az aktív szénfilter kétféle típusú lehet:

- **Mosható aktív szénfilter.**
- **NEM Mosható aktív szénfilter.**

#### Mosható aktív szénfilter.

A szénfiltert kéthavonta lehet elmosni (vagy amikor a filter telítődésjelző rendszere - ha a megvásárolt modell rendelkezik ilyenrel - jelzi, hogy szükség van rá) meleg vízben és megfelelő mosószerrel, vagy mosogatógépben 65 °C-on (mosogatógépben történő mosás esetén teljes mosogatási ciklust végezzen, edények nélkül).

A felesleges vizet a filter megrongálása nélkül távolítsa el, majd vegye ki a műanyag keret belsejében található matracszerű betétet és végleges szárítás céljából 10 percig tegye a sütőbe 100 °C-on.

A matracszerű betétet 3 évenként, valamint károsodása esetén ki kell cserélni.

#### NEM Mosható aktív szénfilter.

A szénfilter telítődése többé vagy kevésbé hosszú idő alatt történik meg, a tűzhely típusától és a zsírzsűrő tisztogatásának rendszerességétől függően. Mindenképpen cserélni kell a betétet legalább négyhavonként.

NEM lehet kimosni vagy regenerálni

#### Szerelés

Helyezze be az aktív szénszűrőt, annak hátsó részét az elszívó fém nyelveire akasztva, az első részét a két gombbal rögzítve.

Az aktív szénszűrő kiemelése a szűrőt az elszívóhoz rögzítő gombok 90°-os elforgatásával lehetséges.

#### Égőcsere

Az elszívó LED technológiára épülő világítási rendszerrel van felszerelve.

A LEDEK optimális megvilágítást biztosítanak, a hagyományos lámpák élettartamánál 10-szer nagyobb élettartammal rendelkeznek, mindemellett 90%-os elektromos energia megtakarítást tesznek lehetővé.

Izzócseréje esetén forduljon a szakszervizhez.



**FR** Concerne la France uniquement :



**FR**

Cet appareil,  
ses accessoires  
et cordons  
se recyclent

REPRISE  
À LA LIVRAISON



À DÉPOSER  
EN MAGASIN



À DÉPOSER  
EN DÉCHÈTERIE



Points de collecte sur [www.quefairedemesdechets.fr](http://www.quefairedemesdechets.fr)  
Privilégiez la réparation ou le don de votre appareil !



**FR**

