



 **NODOR**

GENERAL CATALOGUE 2025-2026







GENERAL CATALOGUE 2025-2026



The technical characteristics indicated in the catalogue must be verified by the **THE MANUFACTURER**.  
Non-contractual photographs.  
**Cata Electrodomésticos S.L.U.** reserves the right to modify the characteristics of its products without prior notice.  
© Design, layout, images and content are the property of  
**Cata Electrodomésticos S.L.U.**

## CONTENTS

<b>OVENS AND MICROWAVES</b>	P.9-30
OVENS	P.16-25
MICROWAVES	P.24-25
PLATE WARMERS	P.27-28
DECORATIVE DRAWER	P.29
VACUUM SEALER	P.30
<b>EXTRACTOR HOODS</b>	P.31-57
CEILING HOODS	P.38-43
ISLAND HOODS	P.44
WALL HOODS	P.45-51
INTEGRATED HOODS	P.52-57
<b>HOBBS</b>	P.58-83
INDUCTION WITH INTEGRATED EXTRACTOR	P.64-67
INDUCTION	P.68-76
VITROCERAMIC	P.77
GAS	P.78-82
KITCHENWARE	P.83
<b>WHITE GOODS</b>	P.84-109
REFRIGERATORS AND FREEZERS	P.92-104
DISHWASHERS	P.105-107
WASHER-DRYER	P.108
WASHING MACHINES	P.109
<b>WINE COOLERS</b>	P.110-126
<b>TAPS AND SINKS</b>	P.127-144
TAPS	P.132-135
NORGRANITE SINKS	P.136-140
NORACE SINKS	P.141-144
<b>TECHNICAL INFORMATION</b>	P.145-171





## Where technology and ecology coexist

### Nodor is exclusive

Celebrating its fifty-sixth anniversary, the brand reaffirms its position as a leading reference in the world of Mediterranean kitchen design.

Founded in 1968 as the pioneer manufacturer of extractor hoods in Spain, **NODOR**, derived from the contraction of the Latin name Non-odor, successfully established itself in the extraction market, and has held a position of leadership for extended periods.

**NODOR** is a brand historically closely linked to Mediterranean cuisine and kitchen furniture. The brand aligns with the understated and minimalist profile of our products. Our extensive range of cooking appliances and white goods positions us as a clear benchmark in the industry.

**NODOR's** new products cater to today's individuals, with innovative models that combine ease of use, excellent performance and an elegant aesthetic to make the kitchen an ideal family gathering place.

At **NODOR**, we invest heavily in having the latest technology. Our product range harnesses all its benefits while remembering that the key is to make the complex easy in order to simplify our lives.

Our recent expansion into foreign markets is a crucial part of our business outlook. That's because at **NODOR** we work day after day to open new markets, expanding our horizons, so that – wherever you are – your kitchen is also **NODOR**.

## EXCELLENCE AND INNOVATION

### – Efficient innovation –

More than 50 years innovating to make for a better kitchen.

Our company continues to invest in R&D to create and develop technologically perfect products.

### – The highest quality standards –

Our proven experience in creation, development and manufacturing is one of the pillars supporting our products' high efficiency, quality and reliability.

## – Products designed and made in Spain –

We're proud to be the leading Spanish manufacturer of extractor hoods and all our products offer high levels of quality and guarantees.

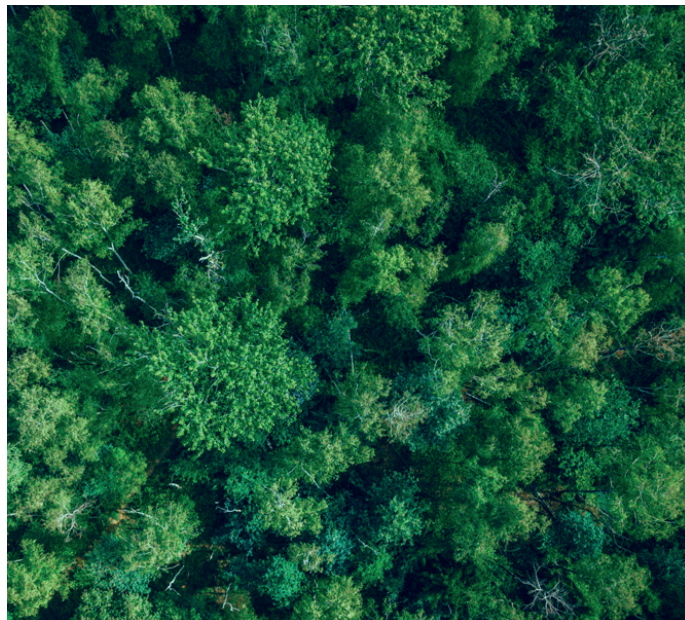
We're one of the largest industrial groups in the industry with a global presence.

We're constantly expanding internationally via the creation of subsidiaries and branches. We currently operate in more than 100 countries.

## TECHNOLOGY AND DESIGN

Maximum functionality and ease of use are criteria for all our products.

Nodor's commitment is to offer the latest technology and design, combined with high performance, functionality and efficiency.

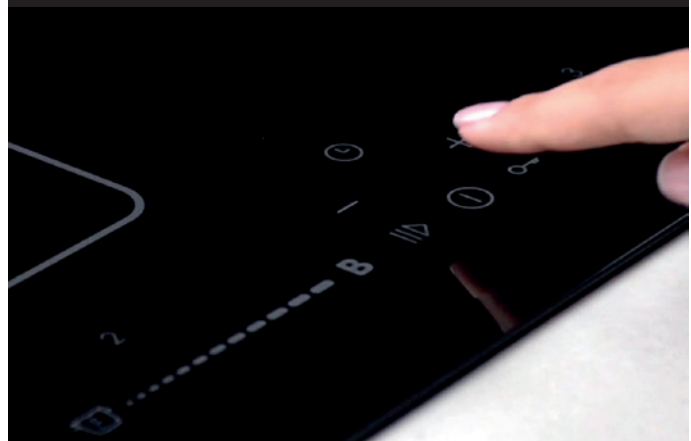


## CARING FOR THE ENVIRONMENT

We develop products and manufacturing processes that optimise energy consumption and minimise our environmental impact, by using sustainable materials.

## AS EASY AS PRESSING A BUTTON

The chance to harness scientific knowledge is at your fingertips every time you press a simple button on your microwave, oven or induction hob. You don't need to know the laws of physics or be an engineering expert. Cooking can be as simple as pressing the right device and waiting for the process to finish. That's NODOR technology. Because enjoying the pleasure of cooking is not incompatible with the advances that technology offers.





Designer settings are constantly being revamped. In order to respond to this on-going evolution, we've devised our exclusive ranges: Nodor Matte Black, Nodor Snow-White and Nodor Dark Black. Of course, you'll also have the range available in stainless steel if you want to give your kitchen a more classic touch.

**Timeless designs.** With our new matte black finishes, your kitchen will achieve a high level of elegance and restraint, creating a welcoming yet sophisticated space.

**Black is back.** Its minimalist, stylish design combines with every setting, granting each kitchen a sophisticated touch with its chrome details and pure black glass finishes.

**Black or white.** Nodor's new electrical appliances feature an enchanting aesthetic that never neglects our commitment to respecting the environment, which begins during the production process and translates to low-consumption energy ratings. It comes with the added advantage of a choice between pure white glass or pure black glass.





**Nodor electrical appliances** are different. We love the small details and we appreciate design and technology because it's in our DNA. The result is our Copper range with unique electrical appliances designed to satisfy even the most demanding chefs thanks to their technology and ease of use. Cooking has never been so easy with Nodor's new Copper range.

**Beauty and resistance.** If you're looking for a kitchen with a classic, stylish appearance and don't want to worry about combining colours and styles, the new stainless steel range will definitely be your best choice.





OVENS & MICROWAVES  
PLATE WARMERS / VACUUM SEALER





## OVENS AND MICROWAVES, PLATE WARMERS AND VACUUM SEALER

**Nodor's new ovens and compact appliances** are a clear example of balance between design and usability. Minimalism is never at odds with functionality thanks to completely smooth handle fronts with no decorative elements to facilitate cleaning, and a 3.9-inch graphic text display to aid their use via simple touch controls.

One particular component that gives Nodor's new ovens and compact appliances notable character is their handle, not just for its chrome or copper finish, but also for its ergonomic, robust nature that enhances each electrical appliance's design.

Since great performance can be yielded from a small space, Nodor is launching its compact range, which includes ovens with Nsoft technology, steam ovens and microwaves.

They feature various kinds of trays to be used for different cooking methods.

### **Is a microwave only for heating food?**

With Nodor's new microwaves, you can do a range of things, from making quick sponges to cooking fish, pasta, vegetables and even roast potatoes.

To ensure your packed daily diary doesn't stop you from enjoying a healthy, balanced diet, **Nodor's new microwaves** (with capacities of up to 40 litres) will help you to cook 85% faster, leading to 70% energy savings compared with a conventional oven.

**Nodor's new plate warmers** are really versatile. They're the perfect complement to your kitchen, not only for their

ability to heat plates, trays and mugs, which will stop cold kitchenware from altering the qualities of the dishes you make, but also by helping to keep food warm without affecting its texture or flavour, gently defrosting food without cooking it, fermenting dough, cooking meat and fish at a low temperature, preparing yoghurt, and also acting as an extra space for storing kitchen items. Of course, they come with Nodor Ncomfort technology, which will facilitate easy access to your plate warmer.

You'll also find a practical storage drawer, which combines with your compact electrical appliance.

**Vacuum sealers** are a useful tool for keeping food fresh for longer, reducing the space food items occupy, preventing odours from mixing, and stopping frozen food from dehydrating.

## OVENS



### NPYROCLEAN

Pyrolytic cleaning is a system that enables an oven to be cleaned automatically with no need for chemical products. It involves raising the oven's temperature to around 500°C, which causes dirt to decompose and turns it to ash that can be easily removed using a damp cloth. This is an extremely convenient, effective and hygienic method, since it eliminates the bacteria and other microorganisms that can be found inside an oven. With a variable cleaning time programme that ranges from 1 hour to a maximum of 3 hours, no dirt will be able to resist this programme, which costs just €0.37.



### NSABBATH

This function allows an oven to be programmed to remain switched on at a constant temperature without switching off when the door is opened or a button is pressed. It also emits sound signals or shows messages on-screen. The Sabbath function can only be used to bake or roast, not for self-cleaning or programmed start.



### NCLEAN

With Nodor's new easy-clean Nclean enamel and thanks to its reduced porosity, cleaning both the oven and its trays is a simple task. This enamel, with Ndamantium technology, stands out thanks to its excellent durability and resistance to blows and scratches. Your oven will look as good as it did on day one. Cooking for all the family in its large cavity.



### NSTEELCLEAN

Stainless steel cavities with a smooth finish and soft edges to facilitate cleaning.



### Multifunction NSOFT

Ovens and microwaves with Nsoft technology guarantee excellent results thanks to surround cooking of food during roasting.



### NHOME-BAKED

With Nodor's new Nhome-baked function, the traditional flavour of food cooked in a wood oven will finally be achievable by less experienced cooks.



### NSTEAM

Cook healthily with the new Nsteam function on Nodor's steam oven. The Nsteam function maintains all the nutrients, vitamins and minerals found in food, achieving wonderful flavours, intense aromas and preserving their texture and original colour. Not only is steaming a healthy cooking method, it also leads to savings because food requires less time to cook, using 23% less energy than traditional cooking.



### NCOMFORT

Easy cooking access to prevent burns when handling food thanks to Nodor's new Ncomfort easy-extraction guides.



### NCHILD

We care about safety in your home, which is why the Nchild function will prevent accidental activations of the controls on your electrical appliances.

## MICROWAVES



### NMENU

The eight automatic programmes help to quickly cook food without affecting flavour in the slightest.



### NQUICK

The microwave starts quickly at maximum power to ensure you never waste a second when heating food. Not only does the new Nquick function help to heat food, but it can also prepare aromatic oils, help stop the tears caused when cutting onions, peel garlic, peel tomatoes, extract more juice from citrus fruits, dry out herbs...



### NCRISP

To achieve more appealing, flavoursome finishes, Nodor microwaves include the Ncrisp function that you can use to caramelize the surface of foods or achieve a crispy finish, as desired.



### NWCrisp

If you want your dishes to cook and brown at the same time, with Nodor's new NWcrisp combi function you can adjust the cooking power depending on whether you're cooking vegetables, meat or fish.



### NFROST

With an option to defrost by weight or time, you'll maintain food's real flavour while preventing it from cooking during the defrosting process.

## PLATE WARMERS



WARM PLATES



KEEP HOT



FERMENT DOUGH



PREPARE YOGHURT



DEFROST



COOK AT LOW TEMPERATURE



STORE

## VACUUM SEALER



FOOD STORAGE



VACUUM BAG CYCLES



VACUUM CONTAINER CYCLES



HINGED GLASS TRAY



ENERGY SAVING FUNCTION



# OVENS & MICROWAVES



PYROLYTIC OVEN

**NorChef PO 6601 MB**

COD 2137 EAN 8422248348348

P. 16



PYROLYTIC OVEN

**NorChef PO 6601 SS**

COD 2153 EAN 8422248348423

P. 16



PYROLYTIC OVEN

**NorChef PO 6601 DB**

COD 2190 EAN 8422248348164

P. 16



PYROLYTIC OVEN

**NorChef PO 6601 SW**

COD 2144 EAN 8422248348263

P. 16



MULTIFUNCTION OVEN

**NorChef MO 6800 DB**

COD 2114 EAN 8435025721142

P. 18



MULTIFUNCTION OVEN

**NorChef MO 6800 SW**

COD 2118 EAN 8435025721180

P. 18



MULTIFUNCTION OVEN

**NorChef MO 6800 CU**

COD 2124 EAN 8435025721241

P. 18



MULTIFUNCTION OVEN

**NorChef MO 6600 MB**

COD 2138 EAN 8422248348355

P. 19



MULTIFUNCTION OVEN

**NorChef MO 6600 SS**

COD 2154 EAN 8422248348430

P. 19



MULTIFUNCTION OVEN

**NorChef MO 6600 DB**

COD 2131 EAN 8422248348171

P. 19



MULTIFUNCTION OVEN

**NorChef MO 6600 SW**

COD 2145 EAN 8422248348270

P. 19



COMPACT OVEN

**NorChef MO 4800 DB**

COD 2115 EAN 8435025721159

P. 20



COMPACT OVEN

**NorChef MO 4800 CU**

COD 2127 EAN 8435025721272

P. 20



COMPACT OVEN

**NorChef MO 4800 SW**

COD 2119 EAN 8435025721197

P. 20



COMPACT STEAM OVEN

**NorChef SO 4600 MB**

COD 2140 EAN 8422248348362

P. 22



MULTIFUNCTION OVEN

**NorChef MO 9600 DB**

COD 2156 EAN 8435025722156

P. 21

# OVENS & MICROWAVES



COMPACT STEAM OVEN  
**NorChef SO 4600 DB**  
 COD 2133 EAN 8422248348188  
 P. 22



COMPACT STEAM OVEN  
**NorChef SO 4600 SW**  
 COD 2146 EAN 8422248348287  
 P. 22



COMPACT STEAM OVEN  
**NorChef SO 4800 DB**  
 COD 2116 EAN 8435025721166  
 P. 22



COMPACT STEAM OVEN  
**NorChef SO 4800 SW**  
 COD 2120 EAN 8435025721203  
 P. 23



COMPACT STEAM OVEN  
**NorChef SO 4800 CU**  
 COD 2125 EAN 8435025721258  
 P. 23



OVEN-MICROWAVE  
**NorChef MW 4600 MB**  
 COD 4152 EAN 8422248348379  
 P. 23



OVEN-MICROWAVE  
**NorChef MW 4600 SS**  
 COD 4156 EAN 8422248348454  
 P. 24



OVEN-MICROWAVE  
**NorChef MW 4600 DB**  
 COD 4150 EAN 8422248348218  
 P. 24



OVEN-MICROWAVE  
**NorChef MW 4600 SW**  
 COD 4154 EAN 8422248348294  
 P. 24



OVEN-MICROWAVE  
**NorChef MW 4800 DB**  
 COD 2117 EAN 8435025721173  
 P. 24



OVEN-MICROWAVE  
**NorChef MW 4800 SW**  
 COD 2121 EAN 8435025721210  
 P. 25



OVEN-MICROWAVE  
**NorChef MW 4800 CU**  
 COD 2126 EAN 8435025721265  
 P. 25



MICROWAVE  
**NorChef MW 25 DG DB**  
 COD 4053 EAN 8435025740532  
 P. 25



MICROWAVE  
**NorChef MW 25 DG SS**  
 COD 2130 EAN 8422248343169  
 P. 26



MICROWAVE  
**NorChef MW 25 DG CU**  
 COD 4057 EAN 8435025740570  
 P. 26



MICROWAVE  
**NorChef MW 25 DG CU**  
 COD 4057 EAN 8435025740570  
 P. 26

# PLATE WARMERS & VACUUM SEALERS



PLATE WARMER

## NorChef WP 1501 MB

COD 2141 EAN 8422248348393

P. 27



PLATE WARMER

## NorChef WP 1501 SS

COD 2150 EAN 8422248348478

P. 27



PLATE WARMER

## NorChef WP 1501 DB

COD 2134 EAN 8422248351768

P. 27



PLATE WARMER

## NorChef WP 1501 SW

COD 2147 EAN 8422248348317

P. 27



PLATE WARMER

## NorChef WP 1500 DB

COD 2122 EAN 8435025721227

P. 28



PLATE WARMER

## NorChef WP 1500 SW

COD 2123 EAN 8435025721234

P. 28



DECORATIVE DRAWER

## NorChef DP 1501 MB

COD 2143 EAN 8422248348416

P. 29



DECORATIVE DRAWER

## NorChef DP 1501 SW

COD 2152 EAN 8422248348492

P. 29



DECORATIVE DRAWER

## NorChef DP 1501 DB

COD 2136 EAN 8422248348256

P. 29



DECORATIVE DRAWER

## NorChef DP 1501 SW

COD 2149 EAN 8422248348324

P. 29



VACUUM SEALER

## NorChef VS 1501 MB

COD 2142 EAN 8422248348409

P. 30



VACUUM SEALER

## NorChef VS 1501 SS

COD 2151 EAN 8422248348485

P. 30



VACUUM SEALER

## NorChef VS 1501 DB

COD 2135 EAN 8422248348249

P. 30



VACUUM SEALER

## NorChef VS 1501 SW

COD 2148 EAN 8422248348324

P. 30



PYROLYTIC OVEN

**NorChef PO 6601**

- Nsoft 65-litre multifunction pyrolytic oven
- White LCD display with digital start/stop programmer
- Nsoft multifunction with 10 functions
- Special Nhome-baked function
- Easy-clean PyroNclean enamel
- Ncomfort lateral telescopic guides
- Energy efficiency class A+\*\*

\*\*within the range of A+++ to D



Cold door:  
4 glass panels  
in door



Soft-close door



Tangential  
ventilation



Chrome supports  
with 5 cooking  
levels



Deep tray with  
PyroNclean enamel



Chrome rack



Pyrolysis



2 side lights

Finishes



NorChef PO 6601 MB - matte black steel



NorChef PO 6601 SS - stainless steel



NorChef PO 6601 DB - black glass

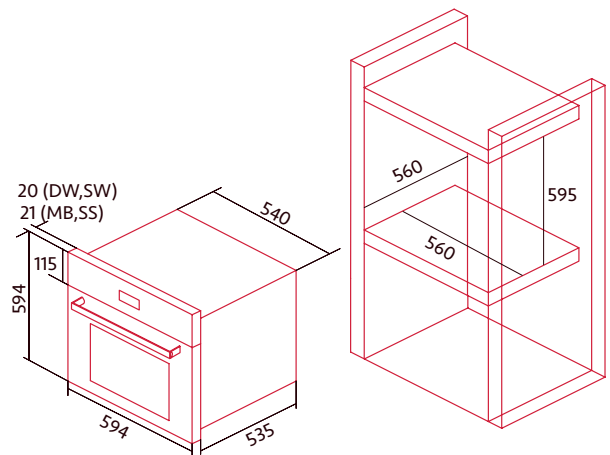


NorChef PO 6601 SW - white glass

Models

<b>NorChef PO 6601 MB</b>	<b>Code:</b> 2137	<b>EAN:</b> 8422248348348
<b>NorChef PO 6601 SS</b>	<b>Code:</b> 2153	<b>EAN:</b> 8422248348423
<b>NorChef PO 6601 DB</b>	<b>Code:</b> 2190	<b>EAN:</b> 8422248348164
<b>NorChef PO 6601 SW</b>	<b>Code:</b> 2144	<b>EAN:</b> 8422248348263

Dimensions Diagrams









## MULTIFUNCTION OVEN

### NorChef MO 6800

- Nsoft 67-litre multifunction oven
- White LCD display with digital start/stop programmer
- Nsoft multifunction with 10 functions
- Special Nhome-baked function
- Easy-clean Nclean enamel
- Fully extractable Ncomfort+ lateral telescopic guides
- Energy efficiency class A\*\*

\*\*within the range of A+++ to D



Fast preheat



Touch controls



Child safety lock



Soft-close door



Tangential ventilation



Chrome supports with 5 cooking levels



Deep tray with Nclean enamel



Chrome rack



Interior rack



Tray handle

### Finishes



NorChef MO 6800 DB - Black glass, chrome handle



NorChef MO 6800 SW - White glass, chrome handle



NorChef MO 6800 CU - Black glass, copper handle

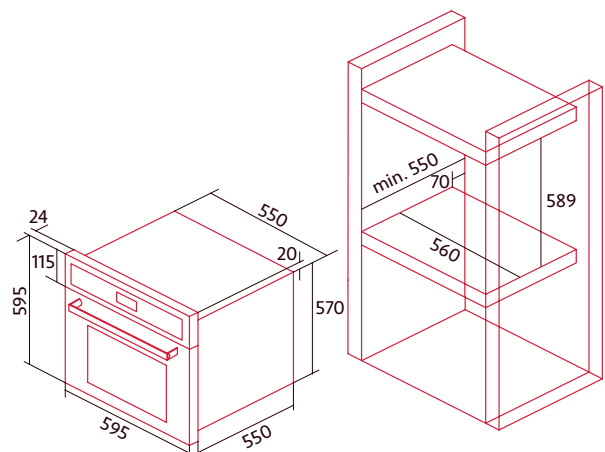
### Models

**NorChef MO 6800 DB** Code: 2114 EAN: 8435025721142

**NorChef MO 6800 SW** Code: 2118 EAN: 8435025721180

**NorChef MO 6800 CU** Code: 2124 EAN: 8435025721241

### Dimensions Diagrams





## MULTIFUNCTION OVEN

### NorChef MO 6600

- Nsoft 65-litre multifunction oven
- White LCD display with digital start/stop programmer
- Nsoft multifunction with 9 functions
- Special Nhome-baked function
- Easy-clean PyroNclean enamel
- Ncomfort lateral telescopic guides
- Energy efficiency class A\*\*

\*\*within the range of A+++ to D



Cold door:  
3 glass panels  
in door



Soft-close door



Tangential  
ventilation



Chrome supports  
with 5 cooking  
levels



Deep tray with  
PyroNclean enamel



Chrome rack

### Finishes



NorChef MO 6600 MB - matte black steel



NorChef MO 6600 SS - stainless steel



NorChef MO 6600 DB - black glass

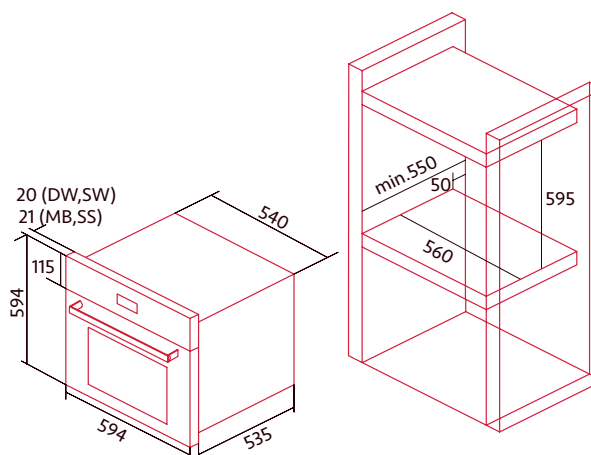


NorChef MO 6600 SW - white glass

### Models

NorChef MO 6600 MB	Code: 2138	EAN: 8422248348355
NorChef MO 6600 SS	Code: 2154	EAN: 8422248348430
NorChef MO 6600 DB	Code: 2131	EAN: 8422248348171
NorChef MO 6600 SW	Code: 2145	EAN: 8422248348270

### Dimensions Diagrams





## COMPACT OVEN

### NorChef MO 4800

- Nsoft 40-litre multifunction oven
- White LCD display with digital start/stop programmer
- Nsoft multifunction with 8 functions
- Special Nhome-baked function
- Easy-clean Nclean enamel
- Ncomfort lateral telescopic guides
- Energy efficiency class A\*\*

\*\*within the range of A+++ to D



Fast preheat



Touch controls



Cold door:  
2 glass panels  
in door



Tangential  
ventilation



Chrome supports  
with 4 cooking  
levels



Deep tray with  
Nclean enamel



Chrome rack



Interior rack



Tray handle

### Finishes



NorChef MO 4800 DB - Black glass,  
chrome handle



NorChef MO 4800 CU - Black glass,  
copper handle



NorChef MO 4800 SW - White glass,  
chrome handle

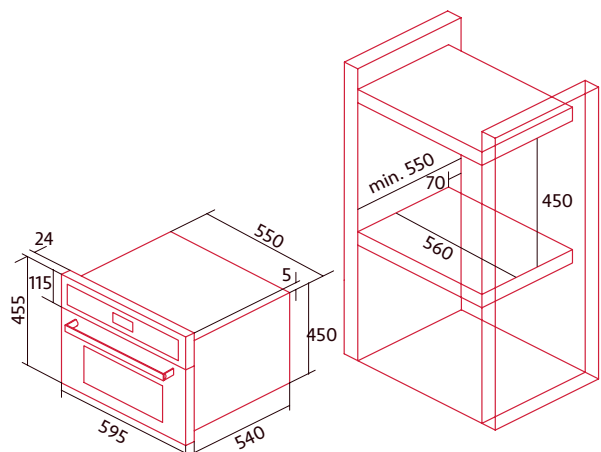
### Models

**NorChef MO 4800 DB** Code: 2115 EAN: 8435025721159

**NorChef MO 4800 CU** Code: 2127 EAN: 8435025721272

**NorChef MO 4800 SW** Code: 2119 EAN: 8435025721197

### Dimensions Diagrams







MULTIFUNCTION OVEN

**NorChef MO 9600 DB**

- 93 litres Nsoft multifunction oven
- Black glass door and control panel with aluminium handle
- White LCD display with start/stop digital programmer
- Nsoft multifunction with 10 functions
- Nclean Easy-To-Clean enamel
- A\*\* Energy efficiency class

**Models**

**NorChef MO 9600 DB** Code: 2156 EAN: 8435025722156



Push pull  
Metallic knobs



Child lock



Cool door: 3  
glasses door



Tangential  
ventilation



Chromed  
supports with 5  
cooking levels



Deep tray with  
Nclean enamel



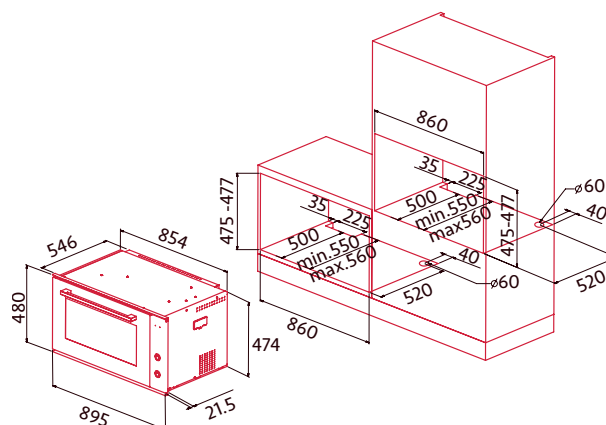
Chromed rack

**Finishes**



NorChef MO 9600 DB - black glass

**Dimensions Diagrams**





## COMPACT STEAM OVEN

### NorChef SO 4600

- 34-litre steam oven
- White LCD display with digital start/stop programmer
- 3 cooking functions
- Nsteam function
- Descaling function
- Easy-clean Nsteelclean cavity
- 1-litre water tank
- Energy efficiency class A+++\*\*

\*\*within the range of A+++ to D



Cold door:  
3 glass panels  
in door



Tangential  
ventilation



Chrome supports  
with 4 cooking  
levels



Nsteelclean  
tray



Nsteelclean  
perforated tray



2 racks

### Finishes



NorChef SO 4600 MB - matte black steel



NorChef SO 4600 SS - stainless steel



NorChef SO 4600 DB - black glass

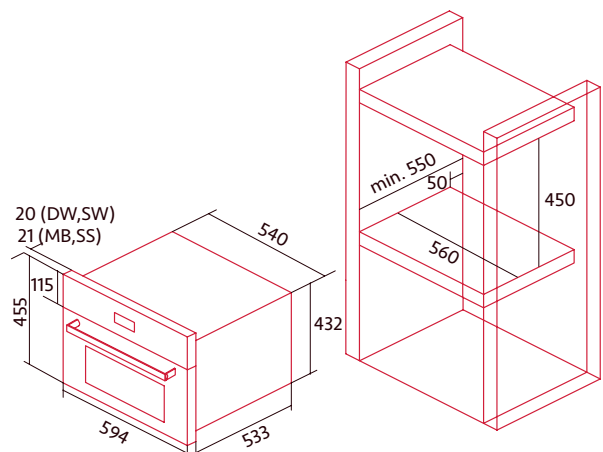


NorChef SO 4600 SW - white glass

### Models

<b>NorChef SO 4600 MB</b>	<b>Code:</b> 2140	<b>EAN:</b> 8422248348362
<b>NorChef SO 4600 SS</b>	<b>Code:</b> 2155	<b>EAN:</b> 8422248348447
<b>NorChef SO 4600 DB</b>	<b>Code:</b> 2133	<b>EAN:</b> 8422248348188
<b>NorChef SO 4600 SW</b>	<b>Code:</b> 2146	<b>EAN:</b> 8422248348287

### Dimensions Diagrams





## COMPACT STEAM OVEN

### NorChef SO 4800

- Nsoft 36-litre multifunction steam oven
- White LCD display with digital start/stop programmer
- Nsoft multifunction with 8 functions
- Nsteam function
- Descaling function
- Easy-clean Nsteelclean cavity
- 1.2-litre water tank
- Energy efficiency class A+\*\*

\*\*within the range of A+++ to D



Fast preheat



Touch controls



Child safety lock



Cold door:  
3 glass panels  
in door



Tangential  
ventilation



Chrome supports  
with 4 cooking  
levels



Deep tray with  
Nclean enamel



Nsteelclean  
perforated  
tray



Interior rack

#### Models

**NorChef SO 4800 DB** Code: 2116 EAN: 8435025721166

**NorChef SO 4800 SW** Code: 2120 EAN: 8435025721203

**NorChef SO 4800 CU** Code: 2125 EAN: 8435025721258

#### Finishes



NorChef SO 4800 DB - Black glass,  
chrome handle

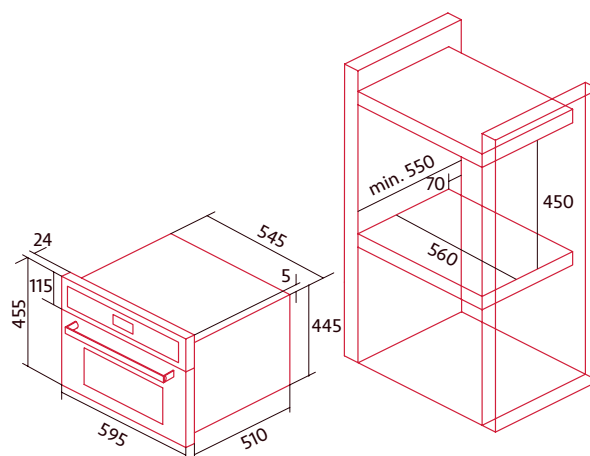


NorChef SO 4800 SW - White glass,  
chrome handle



NorChef SO 4800 CU - Black glass,  
copper handle

#### Dimensions Diagrams







## OVEN-MICROWAVE

- 34-litre oven-microwave with grill
- White LCD display with digital start/stop programmer
- 6 cooking functions
- Easy-clean Nsteelclean cavity
- Grill, microwave and grill+microwave combi selector
- Microwave power 900 W and with grill 1500 W
- Turntable diameter 315 mm
- Maximum dish diameter 320 mm



Cold door:  
3 glass panels  
in door



Tangential  
ventilation



Chrome supports  
with 4 cooking  
levels



Grill rack



Chrome rack

### Finishes



NorChef MW 4600 MB - matte black steel



NorChef MW 4600 SS - stainless steel



NorChef MW 4600 DB - black glass

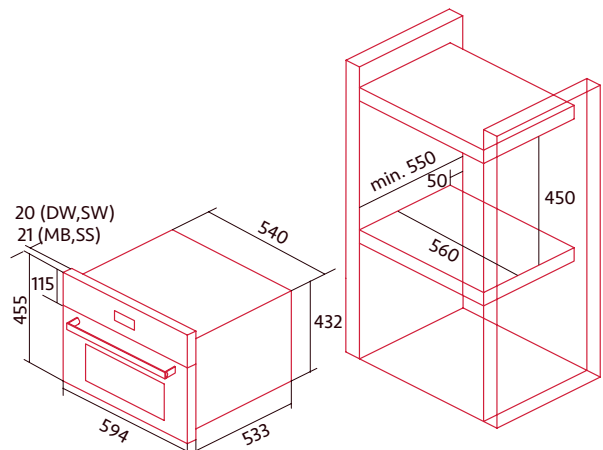


NorChef MW 4600 SW - white glass

### Models

<b>NorChef MW 4600 MB</b>	<b>Code:</b> 4152	<b>EAN:</b> 8422248348379
<b>NorChef MW 4600 SS</b>	<b>Code:</b> 4156	<b>EAN:</b> 8422248348454
<b>NorChef MW 4600 DB</b>	<b>Code:</b> 4150	<b>EAN:</b> 8422248348218
<b>NorChef MW 4600 SW</b>	<b>Code:</b> 4154	<b>EAN:</b> 8422248348294

### Dimensions Diagrams





OVEN-MICROWAVE

NorChef MW 4800

- Nsoft 40-litre multifunction oven-microwave
- Black glass front and door with chrome handle
- White LCD display with digital start/stop programmer
- Nsoft multifunction with 8 functions
- 8 cooking programmes
- Easy-clean Nsteelclean cavity
- Grill, microwave and grill+microwave combi selector
- Microwave power 1000 W and with grill 1400 W

Models

NorChef MW 4800 DB	Code: 2117	EAN: 8435025721173
NorChef MW 4800 SW	Code: 2121	EAN: 8435025721210
NorChef MW 4800 CU	Code: 2126	EAN: 8435025721265



Fast preheat



Touch controls



Child safety lock



Cold door:  
2 glass panels  
in door



Tangential  
ventilation



3 cooking levels



Deep tray with  
Nclean enamel



Chrome rack

Finishes



NorChef MW 4800 DB - Black glass,  
chrome handle

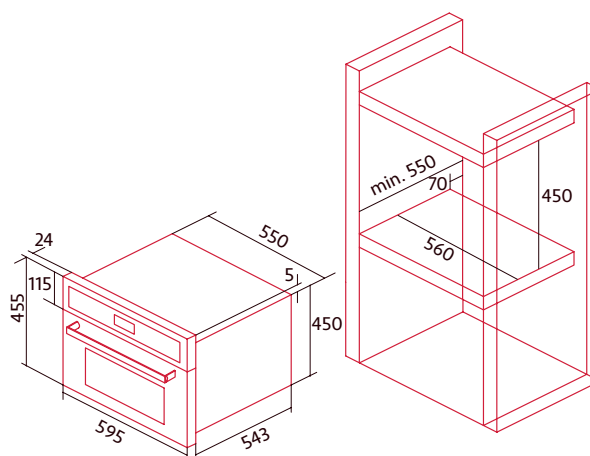


NorChef MW 4800 SW - White glass,  
chrome handle



NorChef MW 4800 CU - Black glass,  
copper handle

Dimensions Diagrams







## MICROWAVE

### NorChef MW 25 DG

- 25-litre built-in microwave (900 W) with grill (1000 W)
- Stainless steel interior
- Defrost, heat and cook by time/food type
- Heating power selector with 5 levels
- Grill, microwave and grill+microwave combi selector
- 95-minute time selector with electronic display
- Turntable Ø 315 mm, maximum dish Ø 320 mm
- Built-in trim



White LED display



Microwave, grill, grill+micro functions



8 automatic programmes



Nquick



Touch buttons and illuminated rotary selector



Nchild: Child and elderly lock

#### Finishes



NorChef MW 25 DG DB - Black glass, chrome logo



NorChef MW 25 DG SS - Stainless steel



NorChef MW 25 DG CU - Black glass, copper logo

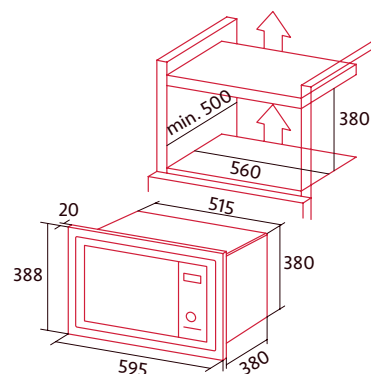
#### Models

**NorChef MW 25 DG DB** Code: 4053 EAN: 8435025740532

**NorChef MW 25 DG SS** Code: 2130 EAN: 8422248343169

**NorChef MW 25 DG CU** Code: 4057 EAN: 8435025740570

#### Dimensions Diagrams





## PLATE WARMER

### NorChef WP 1501

- 20-litre plate warmer
- Door with Npush and telescopic opening
- Temperature selection: low-temperature cooking from 30°C to 70°C; yeast riser 30°C; plate warmer 70°C; keep hot from 40°C to 60°C
- Temperature selection to heat plates. 70°C
- Maximum temperature 70°C



Warm plates



Keep hot



Ferment dough



Prepare yoghurt



Defrost



Cook at low temperature



Store

### Finishes



NorChef WP 1501 MB - matte black steel



NorChef WP 1501 SS - stainless steel



NorChef WP 1501 DB - black glass

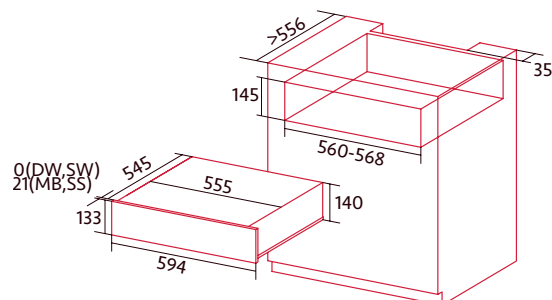


NorChef WP 1501 SW - white glass

### Models

NorChef WP 1501 MB	Code: 2141	EAN: 8422248348393
NorChef WP 1501 SS	Code: 2150	EAN: 8422248348478
NorChef WP 1501 DB	Code: 2134	EAN: 8422248351768
NorChef WP 1501 SW	Code: 2147	EAN: 8422248348317

### Dimensions Diagrams





## PLATE WARMER

### NorChef WP 1500

- 20-litre plate warmer
- Door with Npush and telescopic opening
- Temperature selection: low-temperature cooking from 30°C to 75°C; yeast riser 30°C; plate warmer 75°C; keep hot from 40°C to 60°C
- Maximum temperature 75°C
- Capacity for 36 plates or 80 espresso cups



WARM PLATES



KEEP HOT



FERMENT DOUGH



PREPARE YOGHURT



DEFROST



COOK AT LOW TEMPERATURE



STORE

### Finishes



NorChef WP 1500 DB - black glass



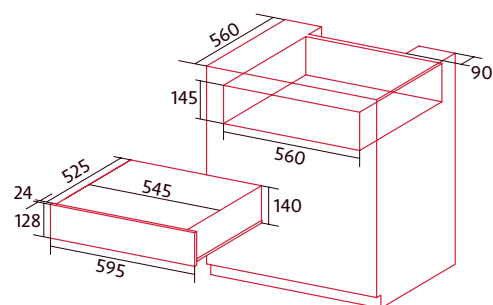
NorChef WP 1500 SW - white glass

### Models

**NorChef WP 1500 DB** Code: 2122 EAN: 8435025721227

**NorChef WP 1500 SW** Code: 2123 EAN: 8435025721234

### Dimensions Diagrams







## DECORATIVE DRAWER

### NorChef DP 1501

- Storage drawer
- Door with Npush and total telescopic opening



STORE

#### Finishes



NorChef DP 1501 MB - matte black steel



NorChef DP 1501 SS - stainless steel



NorChef DP 1501 DB - black glass

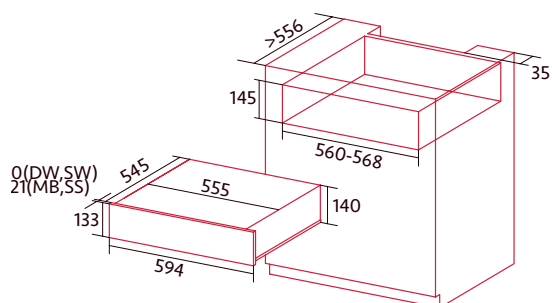


NorChef DP 1501 SW - white glass

#### Models

NorChef DP 1501 MB	Code: 2143	EAN: 8422248348416
NorChef DP 1501 SS	Code: 2152	EAN: 8422248348492
NorChef DP 1501 DB	Code: 2136	EAN: 8422248348256
NorChef DP 1501 SW	Code: 2149	EAN: 8422248348331

#### Dimensions Diagrams





## VACUUM SEALER

### NorChef VS 1501

- Vacuum sealer
- Door with Npush and telescopic opening
- Increased storage time for food
- 3 vacuum cycles for storage, cooking or containers
- Vacuum cycle for jars outside store
- Touch control panel



FOOD STORAGE



VACUUM BAG CYCLES



VACUUM CONTAINER CYCLES



HINGED GLASS TRAY



ENERGY SAVING FUNCTION

#### Finishes



NorChef VS 1501 MB - matte black steel



NorChef VS 1501 SS - stainless steel



NorChef VS 1501 DB - black glass

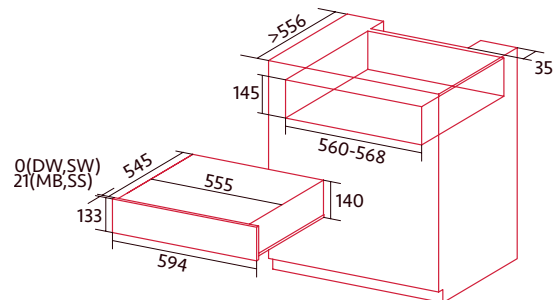


NorChef VS 1501 SW - white glass

#### Models

<b>NorChef VS 1501 MB</b>	<b>Code:</b> 2142	<b>EAN:</b> 8422248348409
<b>NorChef VS 1501 SS</b>	<b>Code:</b> 2151	<b>EAN:</b> 8422248348485
<b>NorChef VS 1501 DB</b>	<b>Code:</b> 2135	<b>EAN:</b> 8422248348249
<b>NorChef VS 1501 SW</b>	<b>Code:</b> 2148	<b>EAN:</b> 8422248348324

#### Dimensions Diagrams





# EXTRACTOR HOODS





## EXTRACTOR HOODS

Quiet! We're cooking. Silence and efficiency don't come into conflict. Their excellent extraction power together with a low noise level (barely a murmur at 42 dB) make Nodor extractor hoods the perfect complement for your home.

Nodor's new extractor hoods are easy to clean thanks to smooth surfaces and integrated touch controls, thereby preventing grease from building up.

Grease filters made entirely from steel give the product a typical industrial hood appearance. Thanks to the labyrinth of steel layers, this filter has an improved grease capture capacity.

Its first layer is made of steel while it has a microperforated rear layer, which is easily washed and is better at retaining the fat produced while cooking.

Another of their key aspects is lighting. All Nodor extractor hoods feature highly efficient lighting: LED strips that fully illuminate the work area or create the ambience required for a romantic dinner.

Nodor's new extractor hoods stand out due to their quick and simple installation, whatever the kind of hood selected.



## EXTRACTOR HOODS



### NBOOT

Nodor's extractor hoods offer unprecedented integration in your kitchen. Their filters are fully hidden when the hood is not in use. When switched on, the panels open automatically to aid smoke and steam extraction.



### NCONNECT2

With manual or automatic regulation of the extraction of fumes and steam depending on what is being cooked in the hob.



### NCHILL

By adjusting the intensity of the LED lighting, you can create the perfect atmosphere in your kitchen for cooking, or perhaps to give your guests a surprise.





## EXTRACTOR HOODS



CEILING HOOD

### NorBreeze ISLA DEIMOS 1400 TWIN RF

COD 8525 EAN 8435025785250

P. 36



CEILING HOOD

### NorBreeze ISLA DEIMOS X 1200 RF

COD 8526 EAN 8435025785267

P. 37



CEILING HOOD

### NorBreeze ISLA DEIMOS 1000 RF

COD 8527 EAN 8435025785274

P. 38



CEILING HOOD

### NorBreeze ISLA SLIMOS 900

COD 8362 EAN 8435025783621

P. 39



CEILING HOOD

### NorBreeze ISLA BESTLA X 960 RF

COD 8568 EAN 8422248343695

P. 40



CEILING HOOD

### NorBreeze ISLA BESTLA WH 960 RF

COD 8569 EAN 8422248343688

P. 40



CEILING HOOD

### NorBreeze ISLA JANO X 960 RF

COD 8350 EAN 8435025783508

P. 41



CEILING HOOD

### NorBreeze ISLA JANO WH 960 RF

COD 8351 EAN 8435025783515

P. 41



DECORATIVE ISLAND

### NorBreeze ISLA CUBE GLASS ECO 60 BK

COD 8564 EAN 8435025785649

P. 42



DECORATIVE ISLAND

### NorBreeze ISLA CUBE GLASS ECO 60 WH

COD 8565 EAN 8435025785656

P. 42



## EXTRACTOR HOODS



DECORATIVE WALL

### NorBreeze ALIZE 80 DB

COD 8346 EAN 8435025783461

P. 43



DECORATIVE WALL

### NorBreeze ALIZE 80 SW

COD 8347 EAN 8435025783478

P. 43



DECORATIVE WALL

### NorBreeze CUBE GLASS ECO 90 BK

COD 8532 EAN 8435025785328

P. 44

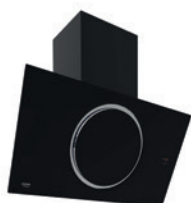


DECORATIVE WALL

### NorBreeze CUBE GLASS ECO 90 WH

COD 8533 EAN 8435025785335

P. 44



DECORATIVE WALL

### NorBreeze CIRCUM 90 DB NMOTION

COD 8513 EAN 8435025785137

P. 45



DECORATIVE WALL

### NorBreeze MISTRAL 90 DB

COD 8516 EAN 8435025785168

P. 46



DECORATIVE WALL

### NorBreeze MISTRAL 90 SW

COD 8519 EAN 8435025785199

P. 46



DECORATIVE WALL

### NorBreeze MISTRAL 70 DB

COD 8604 EAN 8435025786042

P. 46



DECORATIVE WALL

### NorBreeze MISTRAL 70 SW

COD 8594 EAN 8435025785946

P. 46



DECORATIVE WALL

### NorBreeze SLIM 110 BK

COD 8549 EAN 8435025785496

P. 47



DECORATIVE WALL

### NorBreeze SLIM 90 CU

COD 8518 EAN 8435025785182

P. 48



DECORATIVE WALL

### NorBreeze SLIM 90 BK

COD 8536 EAN 8435025785366

P. 49



DECORATIVE WALL

### NorBreeze SLIM 90 WH

COD 8537 EAN 8435025785373

P. 49



DECORATIVE WALL

### NorBreeze SLIM 70 BK

COD 8520 EAN 8435025785205

P. 49



DECORATIVE WALL

### NorBreeze SLIM 70 WH

COD 8563 EAN 8435025785632

P. 49

# EXTRACTOR HOODS



INTEGRATED HOOD  
**NorBreeze GREGAL 90 WH NMOTION**  
 COD 8540 EAN 8435025785403  
 P. 52



INTEGRATED HOOD  
**NorBreeze GREGAL 60 WH NMOTION**  
 COD 8550 EAN 8435025785502  
 P. 52



**NEW**

INTEGRATED HOOD  
**NorBreeze CROWN 120 NO DRIP SS**  
 COD 4231 EAN 8422248370790  
 P. 53



**NEW**

INTEGRATED HOOD  
**NorBreeze CROWN 90 NO DRIP SS**  
 COD 4230 EAN 8435025742307  
 P. 53



**NEW**

INTEGRATED HOOD  
**NorBreeze CROWN 80 NO DRIP SS**  
 COD 4229 EAN 8435025742291  
 P. 53



**NEW**

INTEGRATED HOOD  
**NorBreeze CROWN 60 NO DRIP SS**  
 COD 4228 EAN 8435025742284  
 P. 53



INTEGRATED HOOD  
**NorBreeze BISE 900 SS**  
 COD 8353 EAN 8435025783539  
 P. 54-55



INTEGRATED HOOD  
**NorBreeze BISE 600 SS**  
 COD 8354 EAN 8435025783546  
 P. 54-55



FILTER GROUP  
**NorBreeze CUDO 850 SS**  
 COD 8355 EAN 8435025783553  
 P. 56



FILTER GROUP  
**NorBreeze CUDO 520 SS**  
 COD 8356 EAN 8435025783560  
 P. 56



FILTER GROUP  
**NorBreeze ECLIPSE 90 BK**  
 COD 8551 EAN 8435025785519  
 P. 57



FILTER GROUP  
**NorBreeze ECLIPSE 60 BK**  
 COD 8552 EAN 8435025785526  
 P. 57



## CEILING HOOD

### NorBreeze ISLA DEIMOS 1400 TWIN RF

- Perimeter extraction
- 5 extraction levels and Turbo function
- 2 Brushless motors 135 W, BT4DC
- Max./min. extraction power: 1600 / 400 m<sup>3</sup>/h
- LED lighting strips
- Dishwasher-safe metal filters
- Recirculation: Optional carbon filter



REMOTE CONTROL



MINIMUM SOUND LEVEL



NCHILL



NTIME



FILTER SATURATION INDICATOR



RECIRCULATION



NCONNECT2



ENERGY EFFICIENCY

#### Finishes



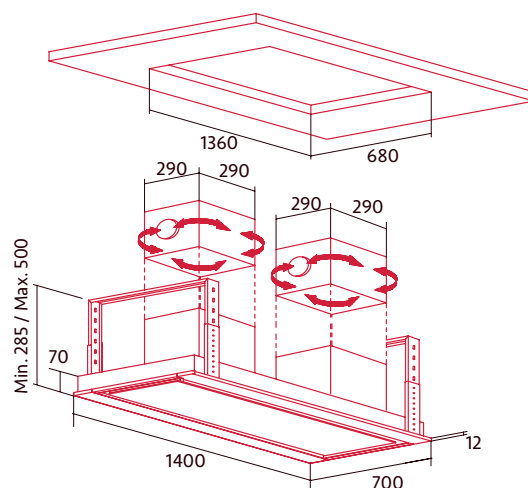
NorBreeze ISLA DEIMOS 1400 TWIN RF

#### Models

**NorBreeze ISLA DEIMOS 1400 TWIN RF**

**Code:** 8525 **EAN:** 8435025785250

#### Dimensions Diagrams





CEILING HOOD

**NorBreeze ISLA DEIMOS X 1200 RF**

- Perimeter extraction
- 5 extraction levels and Turbo function
- Brushless motor, 135 W, BT4DC
- Max./min. extraction power: 852 / 271 m<sup>3</sup>/h
- LED lighting strips
- Dishwasher-safe metal filters
- Recirculation: Optional carbon filter

Models

**NorBreeze ISLA DEIMOS X 1200 RF** Code: 8526 EAN: 8435025785267



REMOTE CONTROL



46 dB(A)  
MINIMUM SOUND LEVEL



NCHILL



NTIME



FILTER SATURATION INDICATOR



RECIRCULATION



NCONNECT2



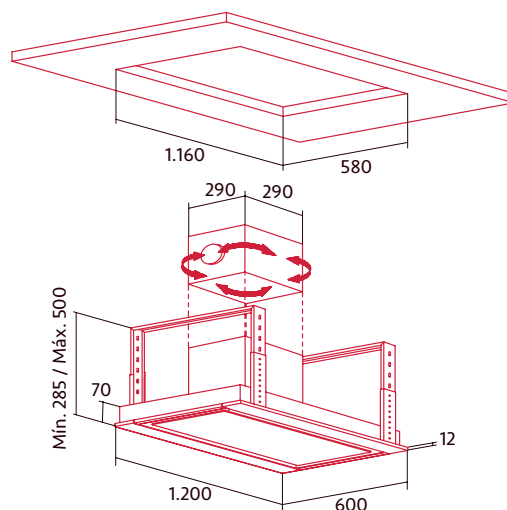
ENERGY EFFICIENCY

Finishes



NorBreeze ISLA DEIMOS X 1200 RF

Dimensions Diagrams







CEILING HOOD

**NorBreeze ISLA DEIMOS 1000 RF**

- Perimeter extraction
- 5 extraction levels and Turbo function
- Brushless motor, 135 W, BT4DC
- Max./min. extraction power: 852 / 271 m<sup>3</sup>/h
- LED lighting strips
- Dishwasher-safe metal filters
- Recirculation: Optional carbon filter

**Models**

**NorBreeze ISLA DEIMOS 1000 RF**

**Code:** 8527 **EAN:** 8435025785274



REMOTE CONTROL



46 dB(A)  
MINIMUM SOUND LEVEL



NCHILL



NTIME



FILTER SATURATION INDICATOR



RECIRCULATION



NCONNECT2



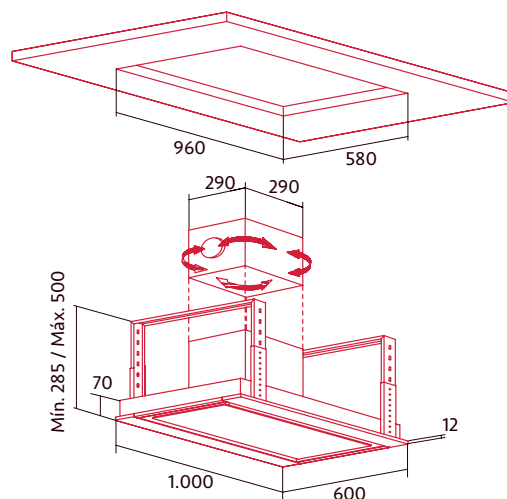
ENERGY EFFICIENCY

**Finishes**



NorBreeze ISLA DEIMOS 1000 RF

**Dimensions Diagrams**







CEILING HOOD

**NorBreeze ISLA SLIMOS 900**

- Perimeter extraction
- 5 extraction levels and Turbo function
- Brushless motor, 135 W, BT4DC
- Max./min. extraction power: 662 / 221 m<sup>3</sup>/h
- LED lighting strips
- Dishwasher-safe metal filters
- Recirculation: Optional carbon filter

**Models**

<b>NorBreeze ISLA SLIMOS 900</b>	<b>Code:</b> 8362	<b>EAN:</b> 8435025783621
<b>Cable accessory + 10 m BT4DC (not included)</b>	<b>Code:</b> 02800999	<b>EAN:</b> 8422248350174



REMOTE CONTROL



MINIMUM SOUND LEVEL



NCHILL



NTIME



FILTER SATURATION INDICATOR



RECIRCULATION



NCONNECT2



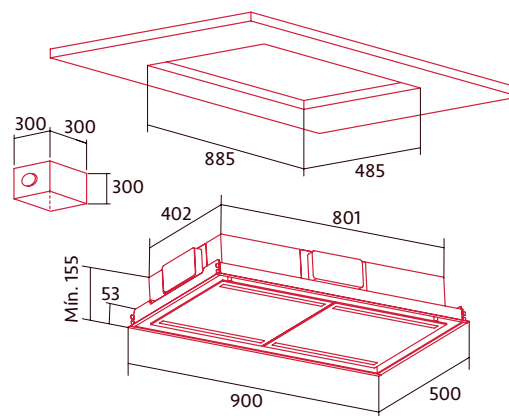
ENERGY EFFICIENCY

**Finishes**



NorBreeze ISLA SLIMOS 900

**Dimensions Diagrams**



Installation of motor independent to the hood at a distance of up to 5 m (with cable supplied) or 10 m (with accessory)



CEILING HOOD

**NorBreeze ISLA BESTLA**

- Perimeter extraction
- 5 extraction levels and Turbo function
- Brushless motor, 170 W, EBM 225
- Max./min. extraction power: 800 / 300 m<sup>3</sup>/h
- LED lighting strips
- Dishwasher-safe metal filters
- Recirculation: Optional carbon filter



REMOTE CONTROL



MINIMUM SOUND LEVEL



NCHILL



NTIME



FILTER SATURATION INDICATOR



RECIRCULATION



NCONNECT2



ENERGY EFFICIENCY

**Finishes**

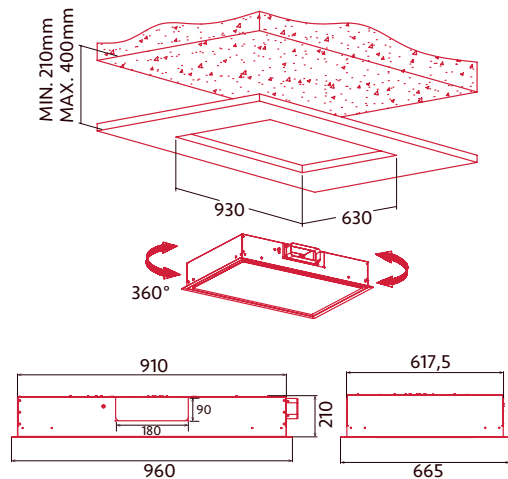


ISLA BESTLA X 960 RF



ISLA BESTLA WH 960 RF

**Dimensions Diagrams**





## CEILING HOOD

### NorBreeze ISLA JANO

- Perimeter extraction
- 5 extraction levels and Turbo function
- Brushless motor, 90 W, S6
- Max./min. extraction power: 570 / 266 m<sup>3</sup>/h
- LED lighting strips
- Dishwasher-safe metal filters
- Recirculation: Optional carbon filter



REMOTE CONTROL



MINIMUM SOUND LEVEL



NCHILL



NTIME



FILTER SATURATION INDICATOR



RECIRCULATION



NCONNECT2



ENERGY EFFICIENCY

#### Finishes



ISLA JANO X 960 RF



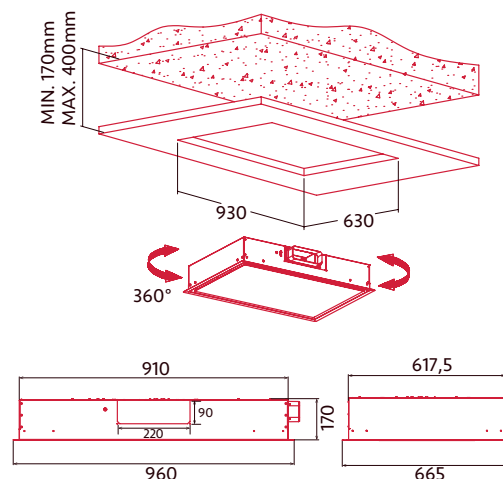
ISLA JANO WH 960 RF

#### Models

ISLA JANO X 960 RF Code: 8350 EAN: 8435025783508

ISLA JANO WH 960 RF Code: 8351 EAN: 8435025783515

#### Dimensions Diagrams





## DECORATIVE ISLAND

### NorBreeze ISLA CUBE GLASS ECO

- 5 extraction levels and Turbo function
- Motor, 135 W, BTD4DC
- Max./min. extraction power: 760 / 278 m<sup>3</sup>/h
- LED lighting
- Dishwasher-safe premium stainless steel decorative filters
- Recirculation: Optional carbon filter

#### Models

<b>NorBreeze ISLA CUBE GLASS ECO 60 BK</b>	<b>Code:</b> 8564	<b>EAN:</b> 8435025785649
<b>NorBreeze ISLA CUBE GLASS ECO 60 WH</b>	<b>Code:</b> 8565	<b>EAN:</b> 8435025785656



TOUCH CONTROL



MINIMUM SOUND LEVEL



NCHILL



NTIME



FILTER SATURATION INDICATOR



RECIRCULATION



NCONNECT2



ENERGY EFFICIENCY

#### Finishes

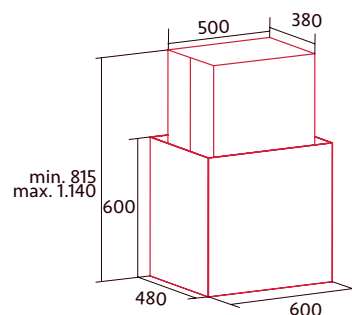


NorBreeze ISLA CUBE GLASS ECO 60 BK



NorBreeze ISLA CUBE GLASS ECO 60 WH

#### Dimensions Diagrams







DECORATIVE WALL

## NorBreeze ALIZE

- 3 extraction levels and Turbo function
- Motor, 240 W
- Max./min. extraction power: 610 / 215 m<sup>3</sup>/h
- LED lighting
- Dishwasher-safe metal filters
- Recirculation: Optional washable carbon filter

### Models

<b>NorBreeze ALIZE 80 DB</b>	<b>Code:</b> 8346	<b>EAN:</b> 8435025783461
<b>NorBreeze ALIZE 80 SW</b>	<b>Code:</b> 8347	<b>EAN:</b> 8435025783478



TOUCH CONTROL



MINIMUM SOUND LEVEL



NCHILL



NTIME



FILTER SATURATION INDICATOR



RECIRCULATION



ENERGY EFFICIENCY

### Finishes

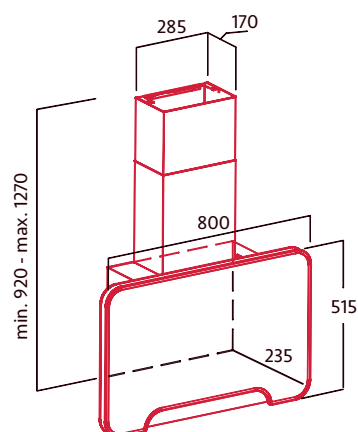


NorBreeze ALIZE 80 DB



NorBreeze ALIZE 80 SW

### Dimensions Diagrams





DECORATIVE WALL

## NorBreeze CUBE GLASS ECO

- 3 extraction levels and Turbo function
- Motor, 260 W, BT3
- Max./min. extraction power: 850 / 340 m<sup>3</sup>/h
- LED lighting strip
- Dishwasher-safe stainless steel decorative filters
- Recirculation: Optional carbon filter



TOUCH CONTROL



MINIMUM SOUND LEVEL



NCHILL



NTIME



FILTER SATURATION INDICATOR



RECIRCULATION



ENERGY EFFICIENCY

### Finishes

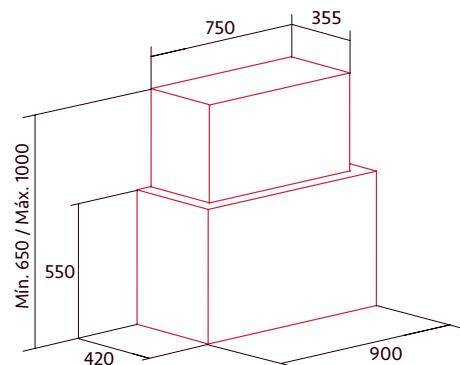


CUBE GLASS ECO 90 BK



CUBE GLASS ECO 90 WH

### Dimensions Diagrams



### Models

**CUBE GLASS ECO 90 BK** Code: 8532 EAN: 8435025785328

**CUBE GLASS ECO 90 WH** Code: 8533 EAN: 8435025785335



DECORATIVE WALL

**NorBreeze CIRCUM 90 DB NMOTION**

- Perimeter extraction and automatic opening
- 5 extraction levels and Turbo function
- Brushless motor, 135 W, BT4DC
- Max./min. extraction power: 852 / 271 m<sup>3</sup>/h
- LED lighting strip and ambient light
- Anti-condensation filter, Dishwasher-safe metal filters
- Recirculation: Optional carbon filter

**Models**

**CIRCUM 90 DB NMOTION** Code: 8513 EAN: 8435025785137



TOUCH CONTROL



MINIMUM SOUND LEVEL



NCHILL



NTIME



FILTER SATURATION INDICATOR



RECIRCULATION

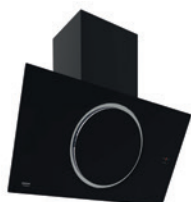


NBOOT



ENERGY EFFICIENCY

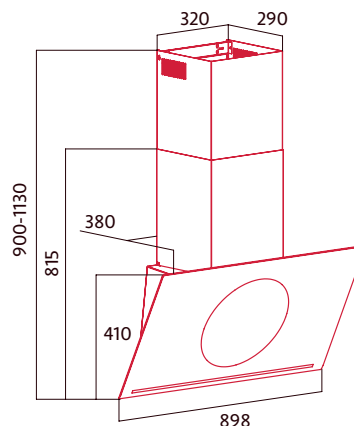
**Finishes**



NorBreeze CIRCUM 90 DB NMOTION



**Dimensions Diagrams**





DECORATIVE WALL

## NorBreeze MISTRAL

- Perimeter extraction and automatic opening
- 5 extraction levels and Turbo function
- Brushless motor, 135 W, BT4DC
- Max./min. extraction power: 800 / 255 m<sup>3</sup>/h
- LED lighting strip
- Dishwasher-safe metal filters
- Recirculation: Optional carbon filter



TOUCH CONTROL



46dB(A)  
MINIMUM SOUND LEVEL



NCHILL



NTIME



FILTER SATURATION INDICATOR



RECIRCULATION



NBOOT

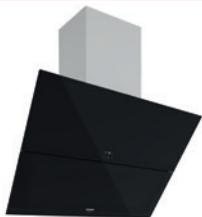


NCONNECT2



ENERGY EFFICIENCY

### Finishes



NorBreeze MISTRAL 90 DB



NorBreeze MISTRAL 70 DB



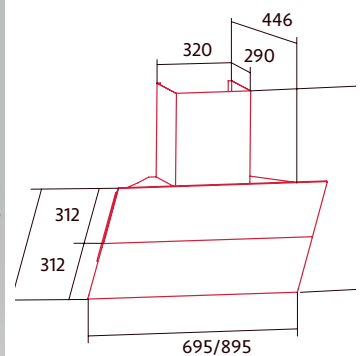
NorBreeze MISTRAL 90 SW



NorBreeze MISTRAL 70 SW



### Dimensions Diagrams



### Models

**NorBreeze MISTRAL 90 DB** Code: 8516 EAN: 8435025785168

**NorBreeze MISTRAL 70 DB** Code: 8604 EAN: 8435025786042

**NorBreeze MISTRAL 90 SW** Code: 8519 EAN: 8435025785199

**NorBreeze MISTRAL 70 SW** Code: 8594 EAN: 8435025785946





DECORATIVE WALL

## NorBreeze SLIM 110 BK

- Large filter surface
- 5 extraction levels and Turbo function
- Brushless motor, 135 W, BT4DC
- Max./min. extraction power: 852 / 271 m<sup>3</sup>/h
- LED lighting strip
- Dishwasher-safe premium stainless steel decorative filters
- Recirculation: Optional carbon filter



TOUCH CONTROL



MINIMUM SOUND LEVEL



NCHILL



NTIME



FILTER SATURATION INDICATOR



RECIRCULATION



NCONNECT2



ENERGY EFFICIENCY

### Models

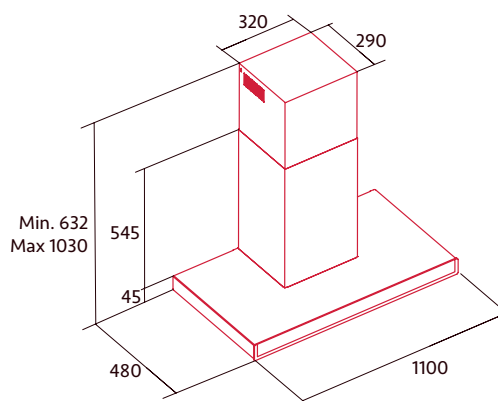
NorBreeze SLIM 110 BK Code: 8549 EAN: 8435025785496

### Finishes



NorBreeze SLIM 110 BK

### Dimensions Diagrams





DECORATIVE WALL

## NorBreeze SLIM 90 CU

- Large filter surface
- 5 extraction levels and Turbo function
- Brushless motor, 135 W, BT4DC
- Max./min. extraction power: 852 / 271 m<sup>3</sup>/h
- LED lighting strip
- Dishwasher-safe premium stainless steel decorative filters
- Recirculation: Optional carbon filter



NCONNECT2



TOUCH CONTROL



MINIMUM SOUND LEVEL



NCHILL



NTIME



FILTER SATURATION INDICATOR



RECIRCULATION



ENERGY EFFICIENCY

### Finishes



NorBreeze SLIM 90 CU

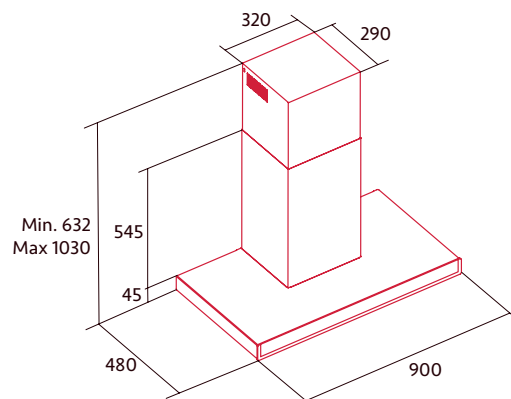
### Models

NorBreeze SLIM 90 CU

Code: 8518

EAN: 8435025785182

### Dimensions Diagrams





DECORATIVE WALL

## NorBreeze SLIM

- Large filter surface
- 5 extraction levels and Turbo function
- Brushless motor, 135 W, BT4DC
- Max./min. extraction power: 852 / 271 m<sup>3</sup>/h
- LED lighting strip
- Dishwasher-safe premium stainless steel decorative filters
- Recirculation: Optional carbon filter



NCONNECT2



TOUCH CONTROL



MINIMUM SOUND LEVEL



NCHILL



NTIME



FILTER SATURATION INDICATOR



RECIRCULATION



ENERGY EFFICIENCY

### Finishes



NorBreeze SLIM 90 BK



NorBreeze SLIM 90 WH



NorBreeze SLIM 70 BK

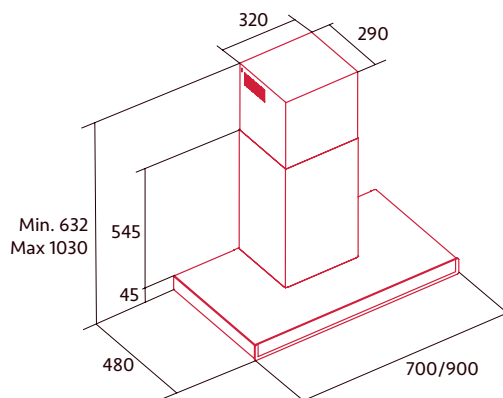


NorBreeze SLIM 70 WH

### Models

NorBreeze SLIM 90 BK	Code: 8536	EAN: 8435025785366
NorBreeze SLIM 90 WH	Code: 8537	EAN: 8435025785373
NorBreeze SLIM 70 BK	Code: 8520	EAN: 8435025785205
NorBreeze SLIM 70 WH	Code: 8563	EAN: 8435025785632

### Dimensions Diagrams





## INTEGRATED HOOD

### NorBreeze GREGAL NMOTION

- Perimeter extraction and automatic opening
- 5 extraction levels and Turbo function
- Brushless motor, 135 W, BT4DC
- Max./min. extraction power: 765 / 245 m<sup>3</sup>/h
- LED lighting strip
- Dishwasher-safe metal filters
- Recirculation: Optional carbon filter



TOUCH CONTROL



46 dB(A)  
MINIMUM SOUND LEVEL



NCHILL



NTIME



FILTER SATURATION INDICATOR



RECIRCULATION



NBOOT



NCONNECT2



ENERGY EFFICIENCY (8540)



ENERGY EFFICIENCY (8550)

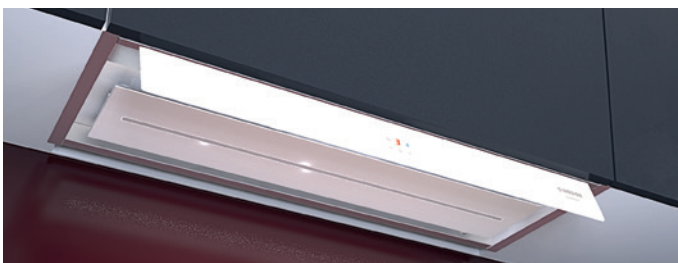
#### Finishes



NorBreeze GREGAL 90 WH NMOTION



NorBreeze GREGAL 60 WH NMOTION

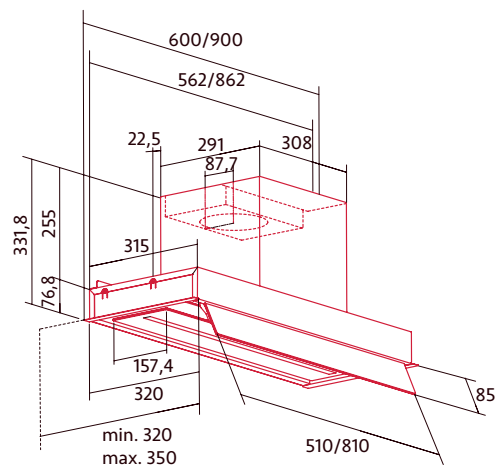


#### Models

**GREGAL 90 WH NMOTION** Code: 8540 EAN: 8435025785403

**GREGAL 60 WH NMOTION** Code: 8550 EAN: 8435025785502

#### Dimensions Diagrams







## INTEGRATED HOOD

### NorBreeze CROWN NO DRIP

**NEW**

- Air purification and air quality sensor
- 5 extraction levels and booster
- 140 W brushless motor, BT5DC 800
- Max / Min extraction rate: 799 / 186 m3/h
- Lighting LED bar
- Ndrip. Anti-drip system
- Metallic filters washable in dishwasher
- Inner Shield

#### Models

<b>NorBreeze CROWN 120 NO DRIP SS</b>	<b>Code:</b> 4231	<b>EAN:</b> 8422248370790
<b>NorBreeze CROWN 90 NO DRIP SS</b>	<b>Code:</b> 4230	<b>EAN:</b> 8435025742307
<b>NorBreeze CROWN 80 NO DRIP SS</b>	<b>Code:</b> 4229	<b>EAN:</b> 8435025742291
<b>NorBreeze CROWN 60 NO DRIP SS</b>	<b>Code:</b> 4228	<b>EAN:</b> 8435025742284



TOUCH CONTROL



MINIMUM SOUND LEVEL



NCHILL



NTIME



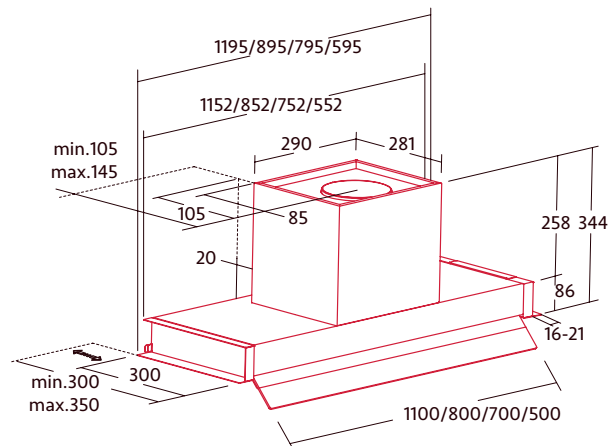
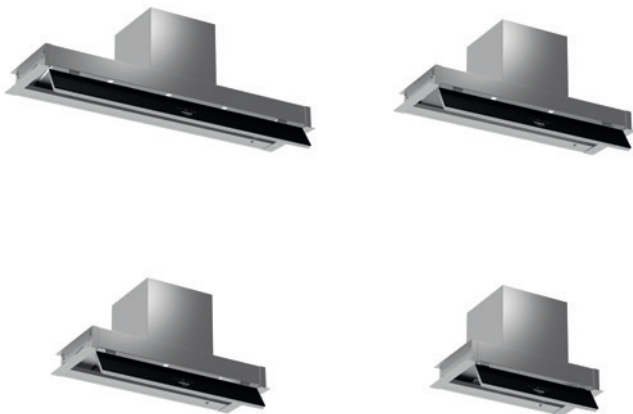
FILTER SATURATION INDICATOR



NCONNECT2



ENERGY EFFICIENCY







INTEGRATED HOOD

**NorBreeze BISE SS**

- 3 extraction levels and Turbo function
- Max./min. extraction power: 735 / 265 m<sup>3</sup>/h, 44 dB (BISE 900)
- Max./min. extraction power: 690 / 240 m<sup>3</sup>/h, 45 dB (BISE 600)
- LED lighting strip
- Dishwasher-safe professional filters
- Recirculation: Optional washable carbon filter

**Models**

<b>NorBreeze BISE 900 SS</b>	<b>Code:</b> 8353	<b>EAN:</b> 8435025783539
<b>NorBreeze BISE 600 SS</b>	<b>Code:</b> 8354	<b>EAN:</b> 8435025783546



TOUCH CONTROL



MINIMUM SOUND LEVEL



NCHILL



NTIME



FILTER SATURATION INDICATOR

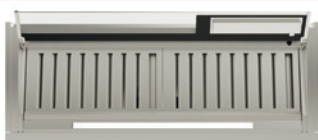


RECIRCULATION



ENERGY EFFICIENCY

**Finishes**



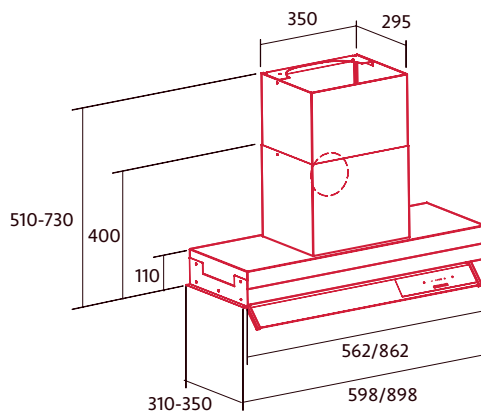
NorBreeze BISE 900 SS



NorBreeze BISE 600 SS



**Dimensions Diagrams**







## FILTER GROUP

### NorBreeze CUDO SS

- 3 extraction levels and Turbo function
- Max./min. extraction power: 725 / 240 m<sup>3</sup>/h (NorBreeze CUDO 850 SS)  
655 / 235 m<sup>3</sup>/h (NorBreeze CUDO 520 SS)
- LED lighting strip
- Fat collection tray
- Dishwasher-safe professional filters
- Recirculation: Optional washable carbon filter
- Motor with upper or rear outlet



CHROME CONTROLS



60 dB(A)  
MINIMUM SOUND LEVEL



NCHILL



NTIME



FILTER SATURATION INDICATOR



RECIRCULATION



ENERGY EFFICIENCY (CUDO 850)



ENERGY EFFICIENCY (CUDO 520)

#### Finishes



NorBreeze CUDO 850 SS



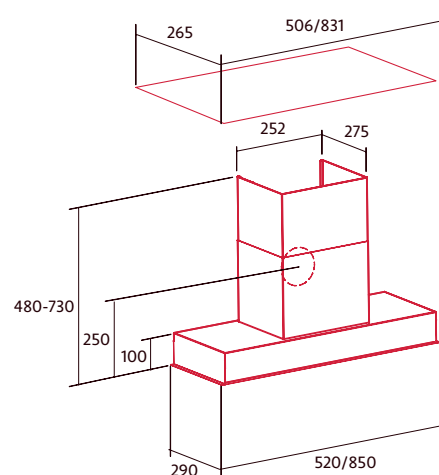
NorBreeze CUDO 520 SS

#### Models

**NorBreeze CUDO 850 SS** Code: 8355 EAN: 8435025783553

**NorBreeze CUDO 520 SS** Code: 8356 EAN: 8435025783560

#### Dimensions Diagrams







FILTER GROUP

**NorBreeze ECLIPSE BK**

- Perimeter extraction
- 3 extraction levels and Turbo function
- Motor, 280 W, BT3
- Max./min. extraction power: 750 / 340 m<sup>3</sup>/h
- LED lighting strip
- Dishwasher-safe metal filters
- Recirculation: Optional carbon filter
- Easy-install system



MINIMUM SOUND LEVEL



NCHILL



NTIME



FILTER SATURATION INDICATOR



RECIRCULATION



ENERGY EFFICIENCY

Finishes



NorBreeze ECLIPSE 90 BK



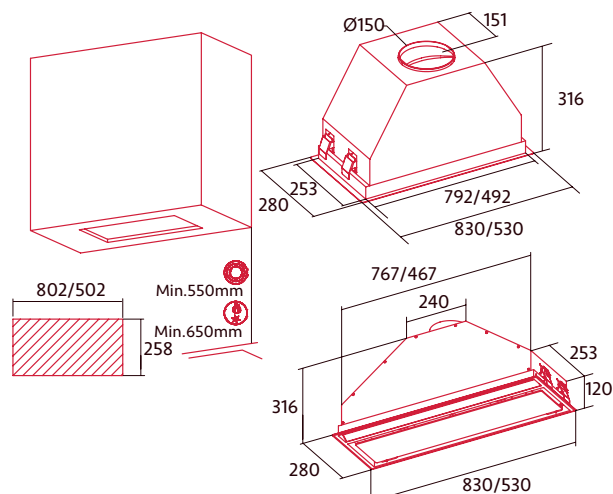
NorBreeze ECLIPSE 60 BK

Models

**NorBreeze ECLIPSE 90 BK** Code: 8551 EAN: 8435025785519

**NorBreeze ECLIPSE 60 BK** Code: 8552 EAN: 8435025785526

Dimensions Diagrams





HOBS









## FLOW-IN, INDUCTION AND GAS / KITCHENWARE

With **Nodor's new induction hobs** you'll learn to enjoy cooking again. You'll dare to tackle any recipe, however complicated it might seem, thanks to their intuitive use and their new functions that help you during the cooking process, guiding you with the options available, automatically recognising up to six pans, and activating the sliding control areas when you move a pan into place.

Their cooking surfaces adapt to your needs when you're making your favourite recipes. Use pans without worrying about their position, because now you can use the entire induction surface.

The size of your kitchen doesn't matter. With Nodor's new induction hobs there's always a hob that will fit in the space available, ranging from 30 cm to 95 cm.

**Induction with surface extraction** is an innovative technology that combines the benefits of an induction hob with an extraction system integrated in the cooking surface itself. The induction hob with surface suction offers a modern, stylish image with no components that interfere with your line of vision.

For fans of traditional cooking, everything is now much simpler and safer with **Nodor's new gas hobs**. Their powerful 3.5 kW triple crown burners guarantee efficient cooking thanks to their ability to adjust the flame and swift heat transmission to the pan given their high heating

power. These new gas cookers are, above all, practical. Their extensive tempered glass surface simplifies the cleaning process and their cast iron grills facilitate the movement of pans across the entire surface without lifting them.

Unique flavours, intense aromas, surprising textures and new experiences are within reach with the new **Norcook Steamchef**. Healthy, nutritional cooking doesn't need to be boring: you set the limits, we'll provide the means. It has two internal trays for cooking directly with steam or in the food's own juices, a thermometer to cook at the exact temperature, steam outlet adjustment to cook things quicker or at a low temperature, and a tank to infuse aromatic herbs and give your recipe a personal touch.

Furthermore, it's perfect for use as a dish both in the oven and on any kind of hob, including induction hobs with flex areas, thanks to its rectangular base.

It offers full safety during the cooking process via ergonomic silicone handles that aid handling, and thanks to its glass safety lid that means you can see how things are going at all times.



## FLOW-IN / INDUCTION



### NSENSE

Automatic cookware detection, the slider controls for the cooking area are activated automatically when a pan is detected.

Nodor's new hobs are also convenient. When a pan is removed from the induction hob, its slider control will switch off automatically.



### NPRECISE

Nodor's new induction hobs are synonymous with precision. You can select up to 17 power levels to achieve the perfect temperature while cooking.



### NBOOST

With up to 2 extra power levels for when you need all of your Nodor induction hob's power in short spaces of cooking time.



### NFOLLOWME

The power level selected for the pan will be upheld while it's moved across the surface of the different induction cooking areas.



### NPROTECT

Protect your favourite pans from abrupt changes in temperature. Now Nodor's new induction hobs can detect if a pan is empty, preventing the deformations caused by excessive heating.



### NFASTUP

With Nodor's new induction hobs, once the fast heat process has been completed, they automatically reduce their power, ensuring your food doesn't burn.



### NLOCK

Locks the induction hob to prevent accidental activation while cooking.



### NCHILD

Locks the hob to prevent children from switching it on accidentally.



### NCONNECT2

With manual or automatic regulation of the extraction of fumes and steam depending on what is being cooked in the hob.

## GAS



### NSELECT

Nselect technology ensures efficient cooking by precisely adjusting the flame and aiding a swift transmission of heat to the pan thanks to its excellent heating power.



### NPAUSE

Clean the hob's surface area easily or leave your cooking to answer the phone or take care of a family member without worrying about what's happening in your kitchen.



### NMEMORY

Nodor's new induction hobs bring nothing but benefits: if you accidentally switch off your hob, the new Nmemory function will restore the power levels and cooking areas that were being used.



### NCHEF

Cook like a real chef. With the Nchef function you can divide the induction surface into three areas with a different power. On the left you can simmer vegetables or keep something hot, in the centre you can continue cooking, and on the right you can sear meat or boil large volumes of liquids.



### NBBQ

With the new grill function you can achieve the characteristic flavour of a barbecue without leaving home.



### NCOOK

With up to three cooking functions that allow you to easily keep food hot without cooking it, melt chocolate or butter, or boil something over a low heat.



### NTIME

Some recipes require precise control of the time, such as pastas, rice dishes, eggs... It's also useful for controlling the intermediate times in your recipes, or simply to remember when something has finished.



### NPASTA

Both pasta and rice will always be cooked to perfection thanks to the memorised cooking time.



### NMANAGEMENT

Option of limiting the hob's power based on the power you have contracted, without limiting efficiency and cooking speed with an induction hob.



### NFLAME

We've thought about you and your loved ones' safety. Nodor's new gas hobs feature Nflame technology, which switches off the gas supply if it detects the absence of a flame.



### NSPARK

We've taken convenience into account. With the Nspark system you can instantly switch on each burner quickly and safely.

# HOBS



**NEW**

FLOW-IN

**NorCook IS N8426 BK**

COD 4162 EAN 8435025741621

P. 64



**NEW**

FLOW-IN

**NorCook IS N7426 BK**

COD 4161 EAN 8435025741614

P. 65

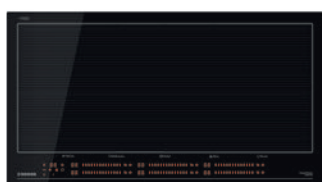


FLOW-IN

**NorCook IS N7220 BK**

COD 4139 EAN 8435025741393

P. 66

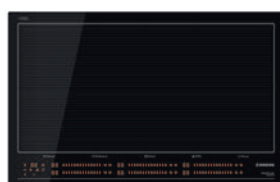


TOTAL FLEX INDUCTION

**NorCook IH N9205 BK**

COD 4103 EAN 8435025741034

P. 68

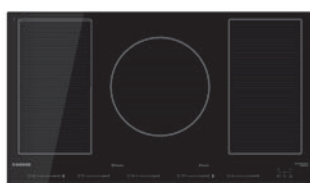


TOTAL FLEX INDUCTION

**NorCook IH N8205 BK**

COD 4104 EAN 8435025741041

P. 69



INDUCTION HOB

**NorCook IH N9323 BK**

COD 4146 EAN 8435025741461

P. 70



INDUCTION HOB

**NorCook IH N8106 BK**

COD 4149 EAN 8422248350082

P. 71



INDUCTION HOB

**NorCook IH N6406 BK**

COD 4158 EAN 8422248350129

P. 72



INDUCTION HOB

**NorCook IH N6326 BK**

COD 4132 EAN 8422248350099

P. 73



INDUCTION HOB

**NorCook IH N6286 SW**

COD 4131 EAN 8422248350112

P. 74



INDUCTION HOB

**NorCook IH N6286 BK**

COD 4133 EAN 8422248350105

P. 74



INDUCTION HOB

**NorCook IH N7003 BK**

COD 4126 EAN 8435025741263

P. 75



INDUCTION HOB

**NorCook IH N7703 BK**

COD 4111 EAN 8435025741119

P. 75

# HOBS



INDUCTION HOB

**NorCook IH N3200 BK**

COD 4110 EAN 8435025741102

P. 76



INDUCTION HOB

**NorCook IH N7502 BK**

COD 4112 EAN 8435025741126

P. 76



VITROCERAMIC HOB

**NorCook VH N6400 BK**

COD 4166 EAN 8435025741669

P. 77



VITROCERAMIC HOB

**NorCook VH N3201 BK**

COD 4160 EAN 8435025741601

P. 77



**NEW**

GAS HOB

**NorCook GH 9050 GBK**

COD 4168 EAN 8435025741683

P. 78



**NEW**

GAS HOB

**NorCook GH 6040 GBK**

COD 4167 EAN 8435025741676

P. 79



GAS HOB

**NorCook GH 8632 GBK**

COD 4165 EAN 8422248360173

P. 80



GAS HOB

**NorCook GH 6032 GBK**

COD 4164 EAN 8422248360159

P. 81



GAS HOB

**NorCook GH N3012 GBK**

COD 4163 EAN 8422248360166

P. 82



KITCHENWARE

**NorCook STEAMCHEF**

COD 1368 EAN 8435025713680

P. 83



## NorCook IS N8426 BK

**NEW**

- Induction hob with surface suction
- 4 burners: Each one 21 x 19 cm, which can be combined into two modular areas (21 x 38 cm)
- Hidden slider touch control panel
- Heating power selector with 9 levels. Nboost+, 2 Boosters
- Timer selector
- Ncook: melt, keep hot, cook at low temperature
- Residual heat indicator
- Maxi. Power 7.2 kW
- 6 extraction levels, 5 + 1 TURBO
- Auto mode extraction
- Recirculated extraction configuration
- Automatic delayed shut-off after cooking to erase residual odors 2-stage filtration system – Grease and condensation
- Height 170 mm
- Extraction power (according to UNE/EN 61591): 691 m3/h - 245m3/h
- Sound power (Reg.(EU) n°65/2014): 50dB(A), maximum: 69dB(A)
- BRUSHLESS motor. Ultra silent. Maximum energy consumption 165W
- Airflow speed: 10m/s
- Dishwasher-washable filters
- Presión max.: 740Pa - Presión TURBO: 800Pa
- 222x90 mm outlet
- Energy Class: A+
- Accessories
  - Ceramic carbon filter (included)
  - HEPA filter (not included)

### Finishes



NorCook IS N7220 BK

### Models

**NorCook IS N8426 BK**

**Code:** 4162

**EAN:** 8435025741621



NPAUSE



NCHILD



NBOOST



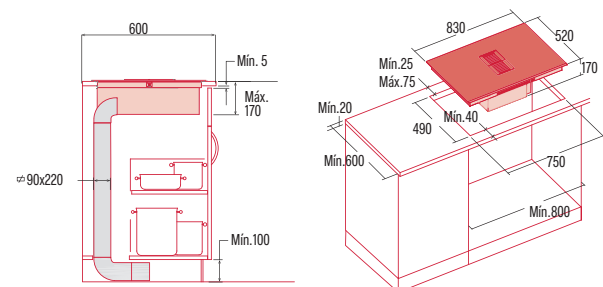
MINIMUM SOUND LEVEL



ENERGY EFFICIENCY



### Dimensions Diagrams







## NorCook IS N7426 BK

**NEW**

- Induction hob with surface suction
- 4 burners: Each one 21 x 19 cm, which can be combined into two modular areas (21 x 38 cm)
- Hidden slider touch control panel
- Heating power selector with 9 levels. Nboost+, 2 Boosters
- Timer selector
- Ncook: Melt, keep hot, cook at low temperature
- Residual heat indicator
- Maxi. Power 7.2 kW
- 6 extraction levels, 5 + 1 TURBO
- Auto mode extraction
- Recirculated extraction configuration
- Automatic delayed shut-off after cooking to erase residual odors
- 2-stage filtration system - Grease and condensation
- Height 170 mm
- Extraction power (according to UNE/EN 61591): 691 m3/h - 245m3/h
- Sound power (Reg.(EU) nº65/2014): 50dB(A), maximum: 69dB(A)
- BRUSHLESS motor. Ultra silent. Maximum energy consumption 165W
- Airflow speed: 10m/s
- Dishwasher-washable filters
- Presión max.: 740Pa - Presión TURBO: 800Pa
- 222x90 mm outlet
- Energy Class: A+
- Accessories
  - Ceramic carbon filter (included)
  - HEPA filter (not included)

### Finishes



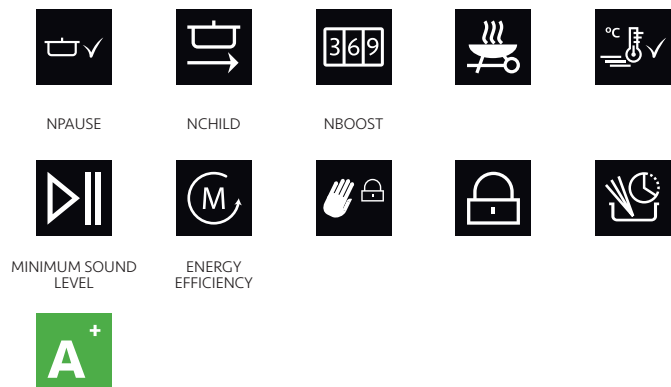
NorCook IS N7220 BK

### Models

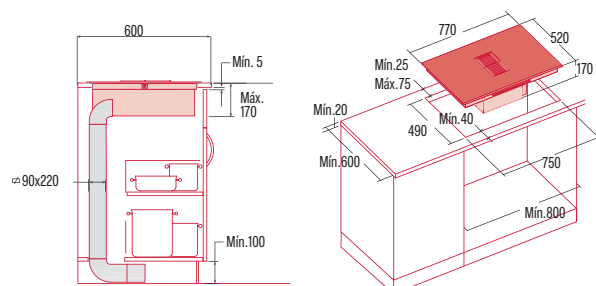
NorCook IS N7426 BK

Code: 4161

EAN: 8435025741614



### Dimensions Diagrams





## FLOW-IN

### NorCook IS N7220 BK

- Induction hob with surface suction
- 4 burners: Each one 21 x 19 cm, which can be combined into two modular areas (21 x 38 cm)
- Hidden slider touch control panel
- Heating power selector with 9 levels. Nboost+, 2 Boosters
- Timer selector
- Ncook: Keep hot
- Residual heat indicator
- Maxi. Power 7.3 kW
- 6 extraction levels: 5 + 1 TURBO
- Automatic extraction mode
- Maximum/minimum extraction capacity (Reg. (EU) no. 65/2014): 545 m<sup>3</sup>/h - 198 m<sup>3</sup>/h
- Noise level (Reg. (EU) no. 65/2014): 45 dB(A), maximum: 64 dB(A)
- Brushless motor. Extra silent. Maximum energy consumption 135 W
- Air suction speed: 10 m/s
- Dishwasher-safe filters
- Max. pressure: 357 Pa - TURBO pressure: 365 Pa
- Discharge 150 mm
- Energy class: A
- Accessories (not included)  
 Base recirculating kit AS750 - Code **02800939** / EAN **8422248080330**  
 Washable active carbon filters spare kit - Code **02800937** / EAN **8422248078900**  
 Rectangular ducts kit, base 40 cm - Code **02800992** / EAN **8422248112765**

#### Finishes



NorCook IS N7220 BK

#### Models

**NorCook IS N7220 BK**

**Code:** 4139

**EAN:** 8435025741393



NPAUSE



NCHILD



NBOOST

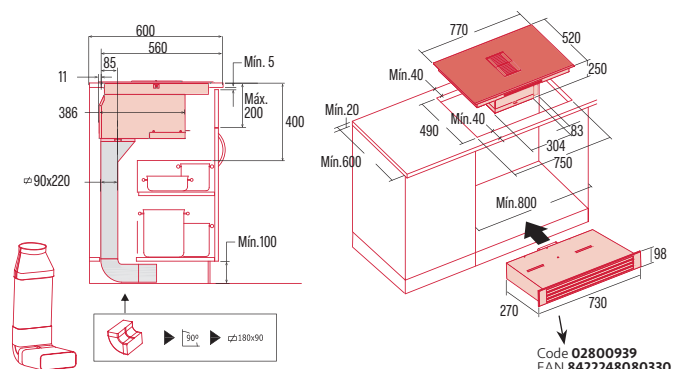


MINIMUM SOUND LEVEL



ENERGY EFFICIENCY

#### Dimensions Diagrams



Code **02800939**  
EAN **8422248080330**







## TOTAL FLEX Induction

### NorCook IH N9205 BK

- Total cooking surface (87 x 38 cm)
- Hidden slider touch control panel
- Timer selector
- Ncook: Melt, keep hot, cook at low temperature Nprecise
- Individual continuous heating power selector per pan, with 17 levels
- Nboost+, 2 Boosters
- Residual heat indicator
- Max. Power: 11 kW



NSENSE



NFOLLOWME



NCHEF



NBBQ



NFASTUP



NPAUSE



NMEMORY



NLOCK



NCHILD



NPROTECT

#### Finishes



NorCook IH N9205 BK

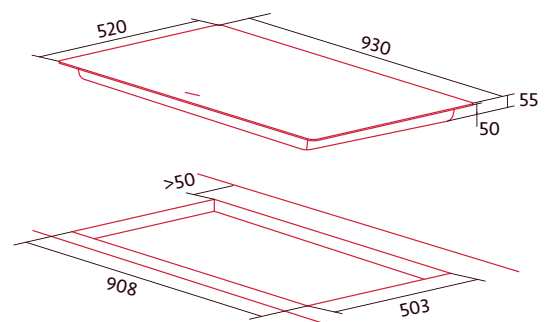
#### Models

NorCook IH N9205 BK

Code: 4103

EAN: 8435025741034

#### Dimensions Diagrams







TOTAL FLEX Induction

**NorCook IH N8205 BK**

- Total cooking surface (75 x 38 cm)
- Hidden slider touch control panel
- Nprecise. Individual continuous heating power selector per pan, with 17 levels. Nboost+, 2 Boosters
- Timer selector
- Ncook: Melt, keep hot, cook at low temperature
- Residual heat indicator
- Max. Power: 11 kW

**Models**

**NorCook IH N8205 BK**      **Code:** 4104    **EAN:** 8435025741041



NSENSE



NFOLLOWME



NCHEF



NBBQ



NFASTUP



NPAUSE



NMEMORY



NLOCK



NCHILD



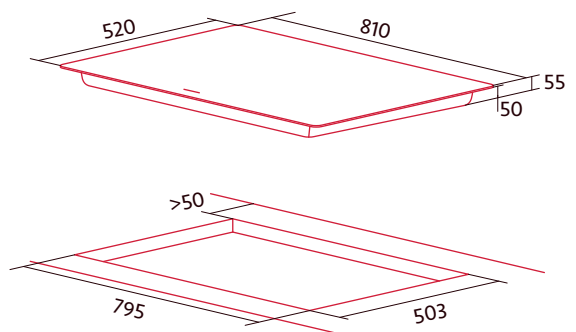
NPROTECT

**Finishes**



NorCook IH N8205 BK

**Dimensions Diagrams**





Induction with front bevel

## NorCook IH N9323 BK

- 5 Zone: One of 30cm, four of 21x20 cm, which can be combined in two modular zones (21 x 40 cm)
- Multi Slider Touch control panel
- Centralized power selector, with 9 levels. Nboost, 1 Booster
- Timer selector
- Ncook: Melting, Keep warm, Simmering
- Residual heat indicator
- Max. Power: 9 kW

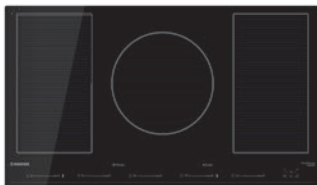


Npause



Nchild

### Finishes



NorCook IH N9323 BK

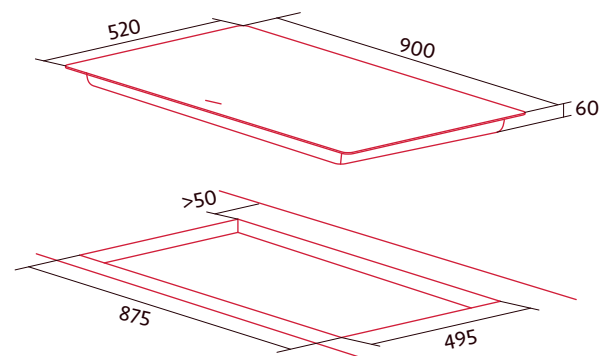
### Models

NorCook IH N9323 BK

Cod.: 4146

EAN: 8435025741461

### Dimensions Diagrams





Induction with front bevel

## NorCook IH N8106 BK

- 4 burners: One of 30cm, one of 18cm, two of 21x20cm, which can be combined into one modular zones (21x40cm)
- Hidden slider touch control panel
- Continuous heating power selector with 9 levels. Nboost+, 2 Boosters
- Timer selector
- Ncook: Melting, Keep warm, Simmering
- Residual heat indicator
- Max. Power: 10.8 kW

### Models

**NorCook IH N8106 BK**    **Code:** 4149    **EAN:** 8422248350082



NSENSE



NFOLLOWME



NCONNECT2



NCHEF



NBBQ



NFASTUP



NPAUSE



NMEMORY



NLOCK



NCHILD



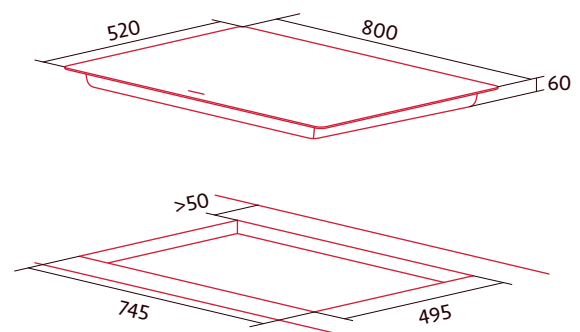
NPASTA

### Finishes



NorCook IH N8106 BK

### Dimensions Diagrams







Rounded induction hob

## NorCook IH N6406 BK

- 4 Zone: Four of 21x20 cm, which can be combined into two modular zones (21x40 cm)
- Hidden Slider Touch control panel
- Continuous heating power selector with 9 levels. Nboost+, 2 Boosters
- Timer selector
- Ncook: Melting, Keep warm, Simmering
- Residual heat indicator
- Max. Power: 7.2 kW



NSENSE



NFOLLOWME



NCONNECT



NCHEF



NBBQ



NFASTUP



NPAUSE



NMEMORY



NLOCK



NCHILD



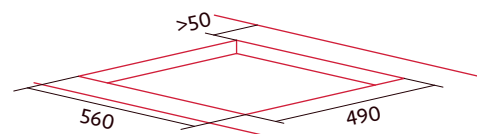
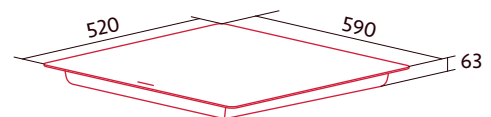
NPASTA

### Finishes



NorCook IH N6406 BK

### Dimensions Diagrams







Induction with front bevel

## NorCook IH N6326 BK

- 3 burners: One of 32/19cm, one of 21cm and one of 16cm
- Hidden slider touch control panel
- Continuous heating power selector with 9 levels. Nboost+, 2 Boosters
- Timer selector
- Ncook: Melting, Keep warm, Simmering
- Residual heat indicator
- Max. Power: 7.1 kW

### Models

NorCook IH N6326 BK      Code: 4132    EAN: 8422248350099



NSENSE



NFOLLOWME



NCONNECT2



NCHEF



NBBQ



NFASTUP



NPAUSE



NMEMORY



NLOCK



NCHILD



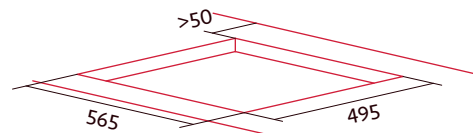
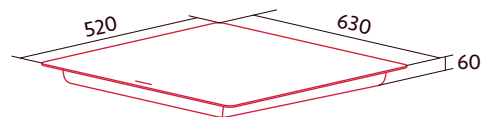
NPASTA

### Finishes



NorCook IH N6326 BK

### Dimensions Diagrams





Induction with front bevel

## NorCook IH N6286

- 3 burners: One of 28/18cm, one of 21cm and one of 16cm
- Hidden slider touch control panel
- Continuous heating power selector with 9 levels. Nboost+, 2 Boosters
- Timer selector
- Ncook: Melting, Keep warm, Simmering
- Residual heat indicator
- Max. Power: 7.1 kW

### Models

<b>NorCook IH N6286 SW</b>	<b>Code:</b> 4131	<b>EAN:</b> 8422248350112
<b>NorCook IH N6286 BK</b>	<b>Code:</b> 4133	<b>EAN:</b> 8422248350105



NSENSE



NFOLLOWME



NCONNECT2



NCHEF



NBBQ



NFASTUP



NPAUSE



NMEMORY



NLOCK



NCHILD



NPASTA

### Finishes

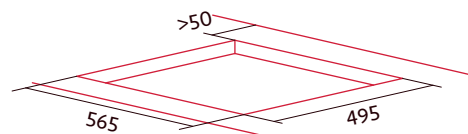
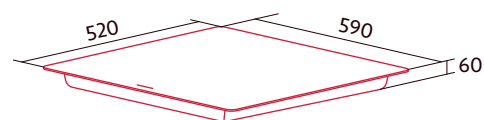


NorCook IH N6286 BK



NorCook IH N6286 SW

### Dimensions Diagrams





Induction with front bevel

## NorCook IH N7003 BK

- 3 Zone: One of 27 cm, one of 22 cm and one of 18 cm diameter
- Touch control panel
- Centralized power selector, with 9 levels. Nboost, Booster
- Timer selector
- Residual heat indicator
- Max. Power: 6.7 kW

### Models

NorCook IH N7003 BK Cod.: 4126 EAN: 8435025741263



NFASTUP



NMEMORY



NLOCK



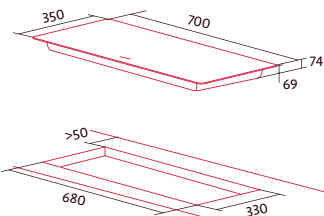
NCHILD

### Finishes



NorCook IH N7003 BK

### Dimensions Diagrams



Induction with front bevel

## NorCook IH N7703 BK

- 3 Zone: One of 27 cm, one of 22 cm and one of 18 cm diameter
- Touch control panel
- Centralized power selector, with 9 levels. Nboost, 1 Booster
- Timer selector
- Residual heat indicator
- Max. Power: 6.7 kW

### Models

NorCook IH N7703 BK Cod.: 4111 EAN: 8435025741119



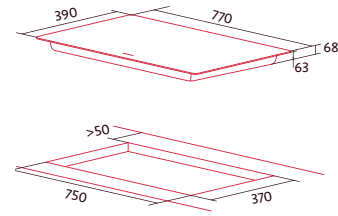
NCHILD

### Finishes



NorCook IH N7703 BK

### Dimensions Diagrams







Induction with front bevel

## NorCook IH N3200 BK

- 2 burners: Two modular burners of 21.5 cm (21.5 x 40 cm)
- Touch control panel
- Centralised power selector with 9 levels. Nboost, 1 Booster
- Timer selector
- Ncook: Keep hot
- Residual heat indicator
- Max. Power: 3.7 kW

### Models

**NorCook IH N3200 BK** Code: 4110 EAN: 8435025741102



NLOCK



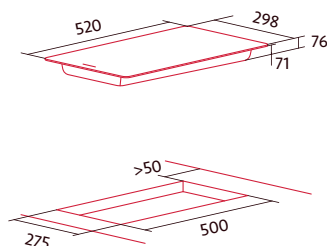
NCHILD

### Finishes



NorCook IH N3200 BK

### Dimensions Diagrams



Frontal bevelled induction hob

## NorCook IH N7502 BK

- 2 Zone: One of 27cm and one of 22cm diameter
- Mono Slider Touch control panel
- Centralized power selector, with 9 levels. Nboost, 1 Booster
- Timer selector
- Ncook: Keep warm
- Residual heat indicator
- Max. Power: 6 kW

### Models

**NorCook IH N7502 BK** Cod.: 4112 EAN: 8435025741126



NFASTUP



NMEMORY



NLOCK



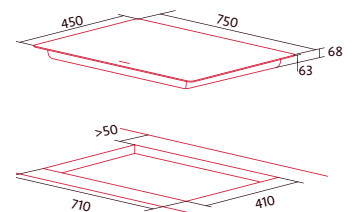
NCHILD

### Finishes



NorCook IH N7502 BK

### Dimensions Diagrams





Vitroc ceramic hob

## NorCook VH N6400 BK

- 4 cooking areas: Two of 18cm and two of 14cm diameter
- Touch Control with acoustic warning
- Centralized power selector, with 9 levels
- Timer selector
- Residual heat indicator
- Max. Power: 6 kW

### Models

NorCook VH N6400 BK Cod.: 4166 EAN: 8435025741669



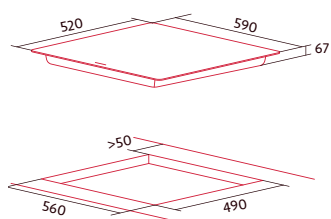
NCHILD

### Finishes



NorCook VH N6400 BK

### Dimensions Diagrams



Vitroc ceramic hob

## NorCook VH N3201 BK

- 2 High Light cooking areas: One zone of 19/12cm diameter, one zone of 15.5cm diameter
- Touch Control with acoustic warning
- Centralized power selector, with 9 levels
- Timer selector
- Residual heat indicator
- Max. Power: 3.2kW

### Models

NorCook VH N3201 BK Cod.: 4160 EAN: 8435025741601



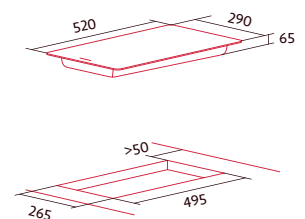
NCHILD

### Finishes



NorCook VH N3201 BK

### Dimensions Diagrams





## GAS GLASS HOB

### NorCook GH 9050 GBK

**NEW**

#### Models

NorCook GH 9050 GBK

Cod.: 4168

EAN: 8435025741683

- 3 Cast iron independent pan supports on tempered glass surface
- One high efficiency (3,5 kW) triple ring burner, one fast (2,5kW), two semi-fast (1,75kW) and one auxiliary burner (1kW)
- Frontal controls
- Nspark. Electronic start-up built into control
- Nflame. Gas shut-off safety system
- For natural gas or butane gas (nozzles included)
- Total gas power: 10,5 kW



Natural gas hob  
with 5 burners



NSPARK



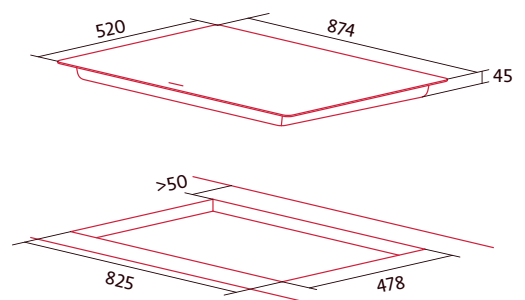
NFLAME

#### Finishes



NorCook GH 8632 GBK

#### Dimensions Diagrams







GAS GLASS HOB

**NorCook GH 6040 GBK**

**NEW**

Models

**NorCook GH 6040 GBK**    Cod.: 4167    EAN: 8435025741676

- 3 Cast iron independent pan supports on tempered glass surface
- One high efficiency (3,5 kW) triple ring burner, one fast (2,5kW), one semi-fast (1,75kW) and one auxiliary burner (1kW)
- Frontal controls
- Nspark. Electronic start-up built into control
- Nflame. Gas shut-off safety system
- For natural gas or butane gas (nozzles included)
- Total gas power: 8,75 kW



Natural gas hob with 5 burners



NSPARK



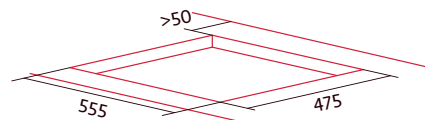
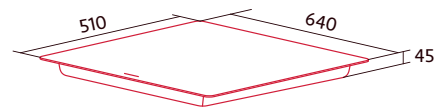
NFLAME

Finishes



NorCook GH 8632 GBK

Dimensions Diagrams





## GAS GLASS HOB

### NorCook GH 8632 GBK

- 3 independent cast iron grills on tempered glass surface
- 2 high-efficiency triple crown burners (3.5 kW) and 1 auxiliary burner (1.75 kW)
- Illuminated front controls
- Nconnect cooker hood connectivity
- Nselect power adjustment
- Nspark. Electrical switch-on built into control
- Nflame. Gas shut-off safety system
- Suitable for natural gas and butane gas (includes injectors)
- Total gas power: 8.75 kW



NUMBER OF  
BURNERS



NSELECT



NSPARK



NFLAME



NCONNECT 2

#### Finishes



NorCook GH 8632 GBK

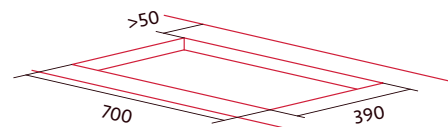
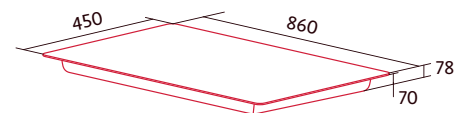
#### Models

NorCook GH 8632 GBK

Code: 4165

EAN: 8422248360173

#### Dimensions Diagrams





## GAS GLASS HOB

### NorCook GH 6032 GBK

- 2 independent cast iron grills on tempered glass surface with front controls
- 1 high-efficiency triple crown burner (3.5 kW), 1 fast burner (1.75 kW) and 1 auxiliary burner (1 kW)
- Illuminated front controls
- Nconnect cooker hood connectivity
- Nspark. Electrical switch-on built into control
- Nflame. Gas shut-off safety system
- Suitable for natural gas and butane gas (includes injectors)
- Total gas power: 6.25 kW



NUMBER OF  
BURNERS



NSELECT



NSPARK



NFLAME



NCONNECT2

#### Finishes



NorCook GH 6032 GBK

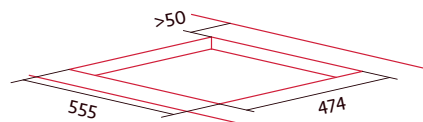
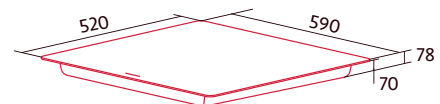
#### Models

NorCook GH 6032 GBK

Code: 4164

EAN: 8422248360159

#### Dimensions Diagrams







## GAS GLASS HOB

### NorCook GH N3012 GBK

- 1 independent cast iron grill on tempered glass surface with front controls
- 1 high-efficiency triple crown burner (3.5 kW)
- Nspark. Electrical switch-on built into control
- Nflame. Gas shut-off safety system
- Suitable for natural gas and butane gas (includes injectors)
- Total gas power: 3.5 kW



NUMBER OF  
BURNERS



NSPARK



NFLAME

#### Finishes

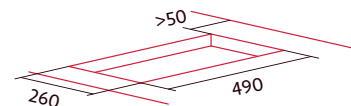
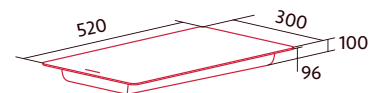


NorCook GH N3012 GBK

#### Models

**NorCook GH N3012 GBK** Code: 4163 EAN: 8422248360166

#### Dimensions Diagrams





KITCHENWARE

NorCook STEAMCHEF

- Stainless steel steam cooking dish
- Steam regulation valve for cooking more quickly or at a low temperature
- Thermometer to cook at the exact temperature
- Highly resistant glass lid
- Tank for herb infusion
- Highly efficient diffuser base
- Two internal trays to cook with steam or in the food's own juices
- Resistant silicone handles (up to 200°C)
- Cooking dish with 7-litre capacity
- Internal trays with 1.5-litre capacity



SUITABLE FOR OVEN



SUITABLE FOR INDUCTION HOB



SUITABLE FOR ELECTRIC HOB



SUITABLE FOR GLASS-CERAMIC HOB



SUITABLE FOR GAS HOB



DISHWASHER SAFE

Finishes



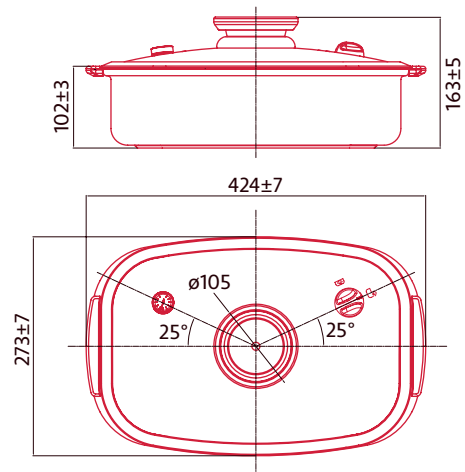
NorCook STEAMCHEF



Models

NorCook STEAMCHEF Code: 1368 EAN: 8435025713680

Dimensions Diagrams









WHITE GOODS



## WHITE GOODS

### REFRIGERATORS, FREEZERS, DISHWASHERS, WASHING MACHINES AND TUMBLE DRYERS

The extensive range of **Nodor refrigerators** are designed to suit any type of setting, from the restraint of its models with a black or white glass finish, to more daring kitchens that opt for colour contrasts or more classic settings with the vintage range, which comes in stainless steel.

With Nodor's new built-in refrigerators we're choosing sensations. These are the perfect solution for achieving more visually sweeping spaces and astonishing designs, thanks to their full integration with the kitchen units.

We aim to guarantee the freshness and quality of the food stored inside Nodor refrigerators. Thanks to temperature and humidity control, food is kept fresher for longer.

We care about you, but we also care particularly about the environment. Nodor refrigerators and freezers are designed from their first sketch to the end of their useful life with environmental sustainability in mind. The use of recyclable materials, a reduced use of fluorinated

gases, the efficient distribution and generation of cold, and a reduced energy consumption help to reduce our carbon footprint. Nodor's models with an energy class of C (A+++) entail a 30% saving compared with a G (A) model. The E (A++) models a 20%. LED lighting inside both refrigerators and freezers helps you to view inside the appliance while also reducing energy consumption and maintenance.

To ensure a refrigerator operates correctly, when purchasing one make sure you take into account its climate class as an incorrect choice could result in poor food storage and greater consumption. Nodor refrigerators have been designed to operate in temperature ranges from 10°C to 43°C, meaning hot climates.

Because your peace of mind and leisure time matter to us, Nodor's new refrigerators are really silent, with a noise level of 40 dB, 12% below the wellness level advised by the World Health Organisation.

## REFRIGERATORS / FREEZERS



### NPLASMA

An innovative disinfection system via plasma that eliminates viruses and bacteria with 96.5% effectiveness. You no longer need to clean your purchases with alcohol or diluted bleach when you get home. Enjoy the food stored in your refrigerator with full peace of mind.



### NFRESHZONE+

Their sensors' precision when it comes to adjusting the temperature is a crucial factor in terms of saving energy and ensuring food is stored correctly. With cold distribution in three independent areas, your food will last for longer and will remain fresher until it's time to use it, saving you time when shopping and saving you money.

Furthermore, since the cold is distributed across three different areas, you'll ensure smells don't mix inside the fridge. And if that's not enough, with Eplasma technology you'll eliminate all traces of bad smells thanks to its negative ions.



### NFRESHZONE

Efficient, stable distribution of cold air enabling reduced consumption.



### NFROST

All refrigerators in Nodor's new range featuring Norfrost technology prevent ice from forming on their walls, thereby facilitating maintenance and cleaning tasks while also ensuring improved food storage and a longer useful life for the appliance.



### NLIFEBOX

The temperature remains close to 0 degrees, but without freezing food: storing meat and fish while maintaining their proteins, vitamins, minerals and micronutrients to guarantee the health of you and your loved ones.



### NCHILLY

Is your team about to kick off in the cup final and you've forgotten to fill the refrigerator with your favourite drink? With the Nchilly function you can quickly chill food and beverages to ensure they're ready before the match starts.



### NDUALZONE

Independent temperature adjustment in the refrigerator and the freezer means you can generate two distinct atmospheres. Humid to keep food fresh in the refrigerator, and dry to ensure food in the freezer doesn't generate ice.



### NGREENBOX

Thanks to humidity and temperature control, you can store fruit and vegetables while maintaining their recently picked flavour and freshness.



### NSUBZERO

This function enables a quick freeze of foods, preventing contamination by the microorganisms found in food as well as the formation of large ice crystals on the food, which would otherwise affect its flavour and texture. Nodor refrigerators have three freezer drawers that will facilitate foodstuffs storage and prevent cross-contamination between them.

**Nodor's new built-in dishwashers** allow for a variety of installation options, which means they can adapt to any type of kitchen, offering you extra convenience in your daily life.

Environmentally friendly, Nodor's new dishwashers consume 28% less energy than those categorised as E class while washing. Their washing efficiency is key to lower consumption, but their capacity also aids energy savings since they can wash more dishes in a single washing cycle. They also have a deferred programme option to aid electricity consumption savings with your night rate. Nodor's new dishwashers can accommodate

16 place settings.

Nodor's new dishwashers are incredibly practical. They have three racks where you can safely position your dishes in an orderly fashion. Thanks to their third sprinkler, cleaning is guaranteed to reach every corner of your dishwasher.

Since not every day is the same, fortunately, Nodor's dishwashers adapt to your rhythm of life by offering different programmes to tackle big family meals, gatherings with friends and romantic dinners with the dishes you keep for special occasions.



## DISHWASHERS



### Nslider

The little details make all the difference. The new Nslider dispenser means the number of dishwasher services can be increased thanks to its innovative opening system, while it also guarantees the correct distribution of detergent by ensuring it doesn't get stuck in the opening cover or dishes.



### N3protect

Your safety – as well as that of your home – is important. With Nodor's N3protect system water leaks are prevented when the dishwasher isn't in use. It protects your dishes and the dishwasher from overheating caused by excess temperature. In addition, it ensures no overflows during the washing process.



### Nwashing

Nodor's new dishwashers with the Nwashing function are so silent (at just 42 dB) that we've included an LED light that shines on the floor while they are operating to prevent you from accidentally opening them. This is an elegant and silent way of letting you know when your dishes are ready.



### Nstorm

Intensive programme for stubborn stains that would take a great deal of effort, time and energy to remove without the help of a dishwasher.



### Nsave

Eco programme. The most efficient programme in terms of energy consumption and water savings.



### Ncare

Glass programme. To care for the delicate dishes you love with improved drying that ensures no annoying droplets are left on your glasses.



### Nfresh

Special programme to soften dirt before washing or to remove bad smells inside the dishwasher when dishes are dirty.



### Npush

With the convenience of the Npush system, which allows you to adjust the height of the second tray depending on the type of dinnerware you want to wash. As a result, you can adapt the tray if you have to wash large pans, wine glasses or tall glasses. Of course, you always have the flexibility offered by their third modular tray, which has been specially designed for washing cutlery.



### Nmove

The dishwasher's door, with Nmove, guarantees full integration since it can be installed to leave a gap of 3 mm to the floor or drawer. Thanks to its innovative hinges, you won't need to cut the skirting, allowing for better integration of the dishwasher with your kitchen units. Now your installation options have increased: you can install Nodor dishwashers traditionally (under the worktop) or more ergonomically (in column format to aid dish loading and unloading).



### Ndaily

Daily programme. Specially for dishes that aren't particularly dirty.



### Nquick+

Fast programme. For when you don't have time, in 30 minutes your dishes will be ready.



### Nquick

Express programme. High-temperature cleaning in just 90 minutes.



### Nby2

When the dishwasher isn't full you can wash a half-load without having to position the dishes in any particular way. This leads to reduced energy and water consumption, and less time is required as the wash duration is reduced by 10 minutes.



**Nodor's new built-in washing machines** are the perfect ally for your kitchen. You'll forget you have a washing machine, not just because of its integration with your kitchen units, but also due to its washing efficiency, consumption efficiency and, above all, for its silence.

The door's large diameter and opening angle will facilitate the loading and unloading of clothes. Together with its high load volume (capacity of up to 9 kg), you can wash an entire load in 60 minutes, or in just 15

minutes if you opt for the Nquick+ fast wash.

We also have washing-dryer machines that will leave your clothes dry, ready for ironing, after washing them.

Nodor's new dishwashers with energy class A consume 42% less than class F machines.

## WASHING MACHINES / TUMBLE DRYERS



### NQUICK+

The little details make all the difference. The new Nslider dispenser means the number of dishwasher services can be increased thanks to its innovative opening system, while it also guarantees the correct distribution of detergent by ensuring it doesn't get stuck in the opening cover or dishes.



### NSENSOR

Your safety – as well as that of your home – is important. With Nodor's N3protect system water leaks are prevented when the dishwasher isn't in use. It protects your dishes and the dishwasher from overheating caused by excess temperature. In addition, it ensures no overflows during the washing process.



### NCHILD

Nodor's new dishwashers with the Nwashing function are so silent (at just 42 dB) that we've included an LED light that shines on the floor while they are operating to prevent you from accidentally opening them. This is an elegant and silent way of letting you know when your dishes are ready.



### NSPECIAL

Intensive programme for stubborn stains that would take a great deal of effort, time and energy to remove without the help of a dishwasher.

# REFRIGERATORS & FREEZERS



SIDE BY SIDE REFRIGERATOR  
**NorFrost INFINITY 178 TNF SS**  
 COD 8592 EAN 8422248110822  
 P. 92



FRENCH DOOR FRIDGE FREEZER  
**NorFrost TWIN 189 TNF GDB**  
 COD 8602 EAN 8435025786028  
 P. 93



BUILT-IN COMBI FRIDGE FREEZER  
**NorFrost HAIL 201 NF GDB**  
 COD 4214 EAN 8422248349857  
 P. 94



BUILT-IN COMBI FRIDGE FREEZER  
**NorFrost HAIL 201 TNF INOX**  
 COD 4205 EAN 8435025742055  
 P. 95



BUILT-IN FRIDGE  
**NorFrost TUNDRA TNF 177 BI SL**  
 COD 4213 EAN 8422248349741  
 P. 96



BUILT-IN FREEZER  
**NorFrost ICE TNF 177 BI SL**  
 COD 4212 EAN 8422248349734  
 P. 97



BUILT-IN COMBI FRIDGE FREEZER  
 70cm  
**NorFrost HAIL 193 TNF BI 70**  
 COD 4206 EAN 8422248343176  
 P. 98



BUILT-IN COMBI FRIDGE FREEZER  
**NorFrost HAIL 193 TNF BI SL**  
 COD 4210 EAN 8422248349703  
 P. 99



BUILT-IN COMBI FRIDGE FREEZER  
**NorFrost HAIL 177 TNF BI SL**  
 COD 4211 EAN 8422248349727  
 P. 100-101



BUILT-IN FRIDGE FREEZER  
**NorFrost HAIL 82 BI SL**  
 COD 4209 EAN 8422248349697  
 P. 102



BUILT-IN REFRIGERATOR  
**NorFrost TUNDRA 82 BI**  
 COD 4207 EAN 8422248343954  
 P. 103



BUILT-IN FREEZER  
**NorFrost ICE 82 BI**  
 COD 4208 EAN 8422248343961  
 P. 104



# DISHWASHERS / WASHING MACHINES and TUMBLE DRYERS



BUILT-IN DISHWASHER

**NorCare DW 6145 I PRO**

COD 8711 EAN 8422248110792

P. 105



BUILT-IN DISHWASHER

**NorCare DW6141 I SL**

COD 8709 EAN 8435025787094

P. 106



BUILT-IN DISHWASHER

**NorCare DW4611 I SL**

COD 8710 EAN 8435025787100

P. 107



BUILT-IN WASHING MACHINE &  
TUMBLE DRYER

**NorCare WD1480 I**

COD 4198 EAN 8435025741980

P. 108



BUILT-IN WASHING MACHINE

**NorCare WM 1491 I**

COD 4173 EAN 8422248360319

P. 109





## SIDE BY SIDE REFRIGERATOR

### NorFrost INFINITY 178 TNF SS

- Ndualzone No-Frost American refrigerator of 1.80 m
- Ndualzone No-Frost technology in refrigerator and freezer
- Electronic temperature adjustment
- Nfreshzone system that efficiently and stably distributes the cold
- Nchilly function in refrigerator and Nsubzero in freezer
- Automatic refrigerator and freezer defrost
- Refrigerator: 2 Ngreenbox drawers / Freezer: 2 large drawers
- Handle on door

#### Models

NorFrost INFINITY 178 TNF SS Code: 8592 EAN: 8422248110822



ENERGY EFFICIENCY



Norfrost



Ndualzone



LED electronic touch control on door



Nchilly Nsubzero



Ngreenbox



NET CAPACITY (379 + 213)



ELECTRICITY CONSUMPTION



LED lighting



Nsave

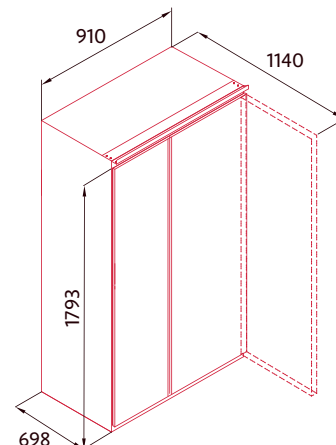
#### Finishes



NorFrost INFINITY 178 TNF SS



#### Dimensions Diagrams





## FRENCH DOOR REFRIGERATOR

### NorFrost TWIN 189 TNF GDB

- Ndualzone No-Frost French-door refrigerator of 1.90 m
- Electronic temperature adjustment
- Nfreshzone+ system that efficiently and stably distributes the cold
- Internal metal finishes
- Nsubzero function in freezer
- Automatic refrigerator and freezer defrost
- Refrigerator: 1 Nlifebox drawer and 2 Ngreenbox drawers
- Freezer: 2 large telescopic drawers
- Handle built into door

#### Models

NorFrost TWIN 189 TNF GDB Code: 8602 EAN: 8435025786028



ENERGY EFFICIENCY



NorFrost



Ndualzone



LED electronic touch control on door



Nsubzero



Nlifebox



Ngreenbox



Nplasma



NET CAPACITY (347 + 169)



ELECTRICITY CONSUMPTION



LED lighting

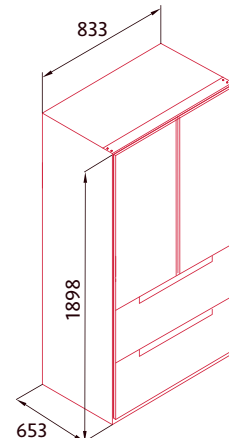
#### Finishes



NorFrost TWIN 189 TNF GDB



#### Dimensions Diagrams







COMBI FRIDGE FREEZER

**NorFrost HAIL 201 NF GDB**

- Ndualzone No-Frost technology in refrigerator and freezer of 2.01 m
- Electronic temperature adjustment
- Nfreshzone system that efficiently and stably distributes the cold
- Internal metal finishes, black glass safety door
- Nsubzero function in freezer
- Automatic refrigerator and freezer defrost, Nsave function
- Refrigerator: 1 Ngreenbox drawer
- Freezer: 3 large drawers
- Metal bottle rack
- Handle built into door / Reversible doors



ENERGY EFFICIENCY



Norfrost



Ndualzone



LED electronic touch control on door



Ngreenbox



NET CAPACITY (238 + 98)



ELECTRICITY CONSUMPTION



LED lighting



Nsave

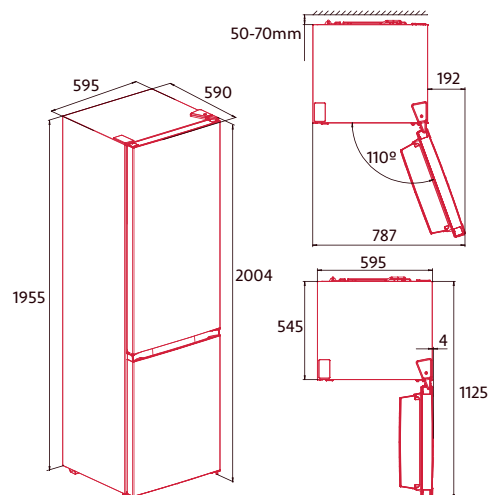
Finishes



NorFrost HAIL 201 NF GDB



Dimensions Diagrams





## COMBI FRIDGE FREEZER

### NorFrost HAIL 201 TNF INOX

- Ndualzone No-Frost combi fridge freezer of 2.01 m in stainless steel
- Ndualzone No-Frost technology in refrigerator and freezer
- Electronic temperature adjustment
- Nfreshzone system that efficiently and stably distributes the cold
- Internal metal finishes
- Nchilly function in refrigerator and Nsubzero in freezer
- Automatic refrigerator and freezer defrost
- Refrigerator: 1 Nlifebox drawer and 1 Ngreenbox drawer / Freezer: 3 large drawers
- Metal bottle rack / Handle built into door / Reversible doors

#### Models

NorFrost HAIL 201 TNF INOX Code: 4205 EAN: 8435025742055



ENERGY EFFICIENCY



Norfrost



Ndualzone



LED electronic touch control on door



Nchilly Nsubzero



Nlifebox



Ngreenbox



NET CAPACITY (256 + 122)



ELECTRICITY CONSUMPTION



LED lighting



Nsave

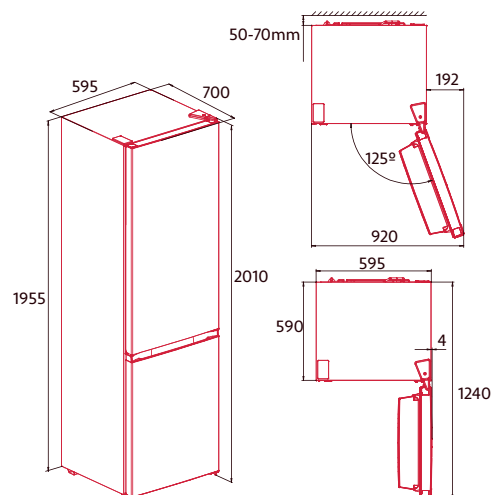
#### Finishes



NorFrost HAIL 201 TNF INOX



#### Dimensions Diagrams





## BUILT-IN REFRIGERATOR

### NorFrost TUNDRA TNF 177 BI SL

- FULL No-Frost built-in refrigerator of 1.77 m
- Electronic temperature adjustment
- Option of side-by-side integration with our NorFrost ICE 177 TNF BI SL model
- Internal metal finishes
- Nchilly function
- Automatic refrigerator defrost
- 4 door shelves and 4 glass shelves included, plus 3 drawers for fruit and vegetables
- Metal bottle rack
- Sliding door / Reversible doors



ENERGY EFFICIENCY



NorFrost



Electronic control with LED



Nchilly



Door open alarm



NET CAPACITY



ELECTRICITY CONSUMPTION



LED lighting

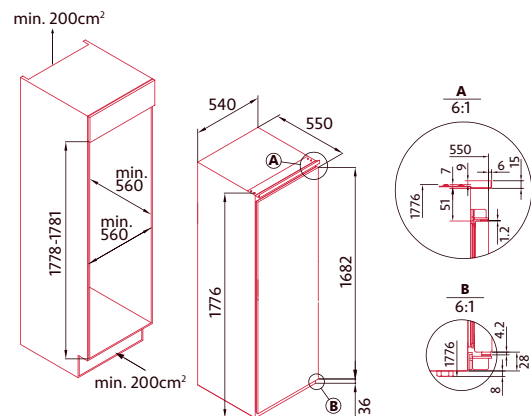
#### Finishes



NorFrost TUNDRA TNF 177 BI SL



#### Dimensions Diagrams



#### Models

NorFrost TUNDRA TNF 177 BI SL Code: 4213 EAN: 8422248349741





## BUILT-IN FREEZER

# NorFrost ICE TNF 177 BI SL

- FULL No-Frost built-in freezer of 1.77 m
- Electronic temperature adjustment
- Option of side-by-side integration with our NorFrost TUNDRA 177 TNF BI SL model
- Nsubzero function
- Automatic freezer defrost
- Freezer: 7 large drawers
- Ice cube trays
- Sliding door / Reversible doors

### Models

**NorFrost ICE TNF 177 BI SL** Code: 4212 EAN: 8422248349734



ENERGY EFFICIENCY



NorFrost



Electronic control with LED



Nsubzero



Door open alarm



NET CAPACITY



ELECTRICITY CONSUMPTION

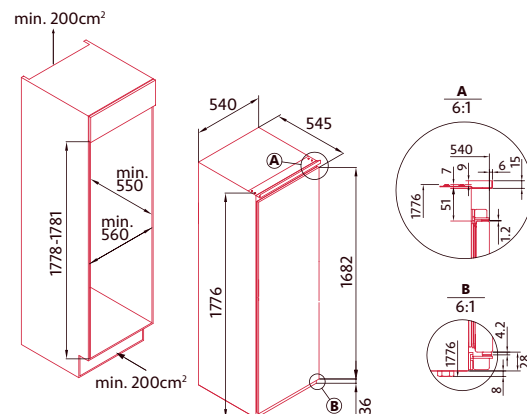
### Finishes



NorFrost ICE TNF 177 BI SL



### Dimensions Diagrams





COMBI BUILT-IN FRIDGE FREEZER 70cm

**NorFrost HAIL 193 TNF BI 70**

- TOTAL No-Frost built-in combi fridge freezer of 1.94 m, with internal metal finishes
- Ndualzone No-Frost technology in refrigerator and freezer
- Electronic temperature adjustment
- Nfreshzone system that efficiently and stably distributes the cold
- Nchilly function in refrigerator and Nsubzero in freezer
- Automatic refrigerator and freezer defrost
- Refrigerator: 1 Nlifebox drawer and 1 Ngreenbox drawer
- Freezer: 3 large drawers
- Ice cube trays / 70 cm wide / Reversible doors

**Models**

**NorFrost HAIL 193 TNF BI 70 Code: 4206 EAN: 8422248343176**



ENERGY EFFICIENCY



Norfrost



Ndualzone



Electronic control with LED



Nchilly Nsubzero



Nlifebox



Ngreenbox



NET CAPACITY (257 + 84)



ELECTRICITY CONSUMPTION



LED lighting



Nsave

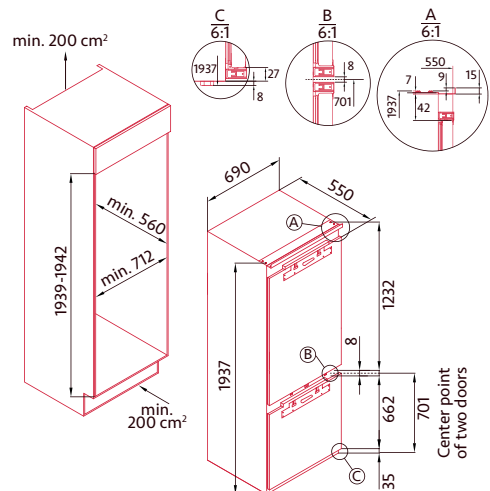
**Finishes**



NorFrost HAIL 193 TNF BI 70



**Dimensions Diagrams**





## COMBI BUILT-IN FRIDGE FREEZER

### NorFrost HAIL 193 TNF BI SL

- TOTAL No-Frost built-in combi fridge freezer of 1.94 m, with internal metal finishes
- Ndualzone No-Frost technology in refrigerator and freezer
- Electronic temperature adjustment
- Nfreshzone system that efficiently and stably distributes the cold
- Nchilly function in refrigerator and Nsubzero in freezer
- Automatic refrigerator and freezer defrost
- Nsave function
- Refrigerator: 1 Nlifebox drawer and 1 Ngreenbox drawer
- Freezer: 3 large drawers
- Ice cube trays / Sliding door / Reversible doors



ENERGY EFFICIENCY



NorFrost



Ndualzone



Electronic control with LED



Nchilly Nsubzero



Nlifebox



Ngreenbox



NET CAPACITY (225 + 56)



ELECTRICITY CONSUMPTION



LED lighting



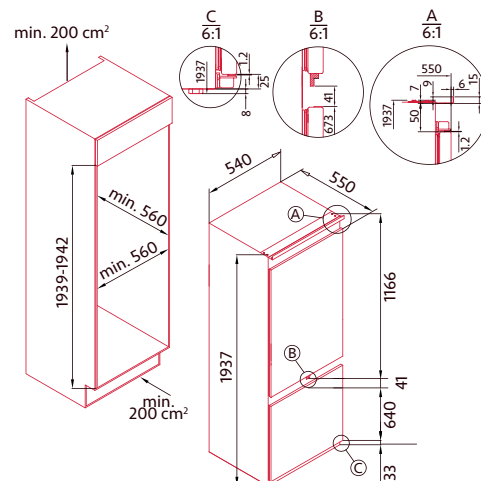
Nsave

#### Finishes



NorFrost HAIL 193 TNF BI SL

#### Dimensions Diagrams



#### Models

NorFrost HAIL 193 TNF BI SL Code: 4210 EAN: 8422248349703







## COMBI BUILT-IN FRIDGE FREEZER

### NorFrost HAIL 177 TNF BI SL

- TOTAL No-Frost built-in combi fridge freezer of 1.77 m, with internal metal finishes
- Ndualzone No-Frost technology in refrigerator and freezer
- Electronic temperature adjustment
- Nfreshzone system that efficiently and stably distributes the cold
- Nchilly function in refrigerator and Nsubzero in freezer
- Automatic refrigerator and freezer defrost
- Refrigerator: 1 Nlifebox drawer and 1 Ngreenbox drawer
- Freezer: 3 large drawers
- Ice cube trays / Sliding door / Reversible doors

#### Models

NorFrost HAIL 177 TNF BI SL Code: 4211 EAN: 8422248349727



ENERGY EFFICIENCY



NorFrost



Ndualzone



Electronic control with LED



Nchilly Nsubzero



Nlifebox



Ngreenbox



NET CAPACITY (170 + 67)



ELECTRICITY CONSUMPTION



LED lighting



Nsave

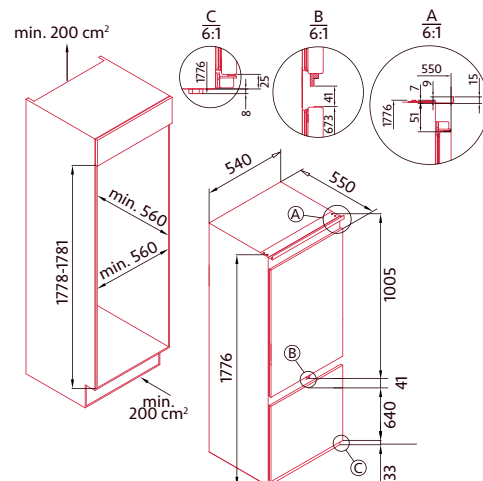
#### Finishes



NorFrost HAIL 177 TNF BI SL



#### Dimensions Diagrams





## COMBI BUILT-IN FRIDGE FREEZER

### NorFrost HAIL 82 BI SL

- TOTAL built-in combi fridge freezer of 0.82 m
- Electronic temperature adjustment
- Nfreshzone system that efficiently and stably distributes the cold
- Internal metal finishes
- Refrigerator: 1 Ngreenbox drawer
- Freezer: 1 drawer
- Ice cube trays
- Sliding door
- Reversible doors



ENERGY EFFICIENCY



Ngreenbox



Door open alarm



NET CAPACITY (95 + 16)



ELECTRICITY CONSUMPTION



LED lighting

#### Finishes



NorFrost HAIL 82 BI SL



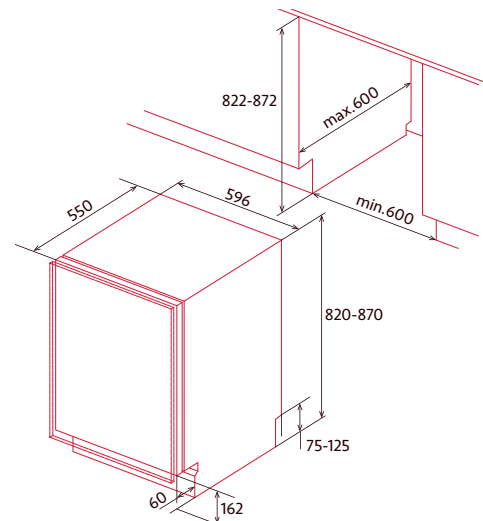
#### Models

NorFrost HAIL 82 BI SL

Code: 4209

EAN: 8422248349697

#### Dimensions Diagrams







## BUILT-IN REFRIGERATOR

### NorFrost TUNDRA 82 BI

- TOTAL built-in combi refrigerator of 0.82 m
- Electronic temperature adjustment
- Nfreshzone system that efficiently and stably distributes the cold
- Refrigerator: 1 Ngreenbox drawer
- Reversible doors

#### Models

NorFrost TUNDRA 82 BI Code: 4207 EAN: 8422248343954



ENERGY EFFICIENCY



Ngreenbox



NET CAPACITY



ELECTRICITY CONSUMPTION



LED lighting

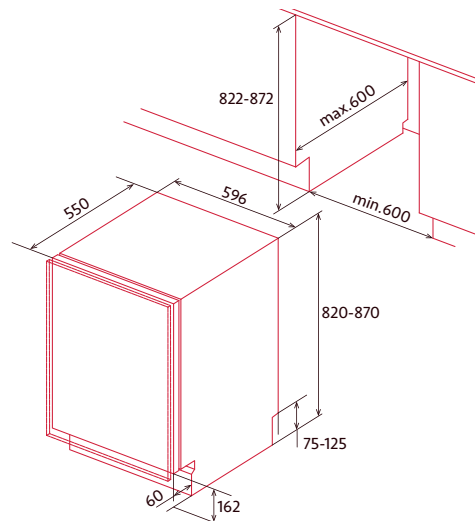
#### Finishes



NorFrost TUNDRA 82 BI



#### Dimensions Diagrams





## BUILT-IN FREEZER

### NorFrost ICE 82 BI

- TOTAL built-in combi freezer of 0.82 m
- Electronic temperature adjustment
- Nfreshzone system that efficiently and stably distributes the cold
- Internal metal finishes
- Nsubzero function
- Freezer: 3 drawers
- Ice cube trays
- Reversible doors



ENERGY EFFICIENCY



Nsubzero function



Door open alarm



NET CAPACITY



ELECTRICITY CONSUMPTION

#### Finishes



NorFrost ICE 82 BI

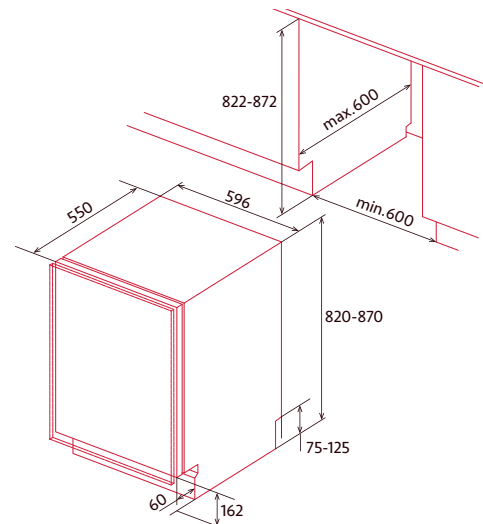


#### Models

NorFrost ICE 82 BI

Code: 4208 EAN: 8422248343961

#### Dimensions Diagrams





## BUILT-IN DISHWASHER

### Norcare DW 6145 I PRO

- Built-in dishwasher of 60 cm with capacity for 16 place settings
- N3protect. Triple safety system: overheating, anti-overflow and water leaks
- Special programmes: Nclean, Nhygiene, Nwhisper and Nself-cleaning
- Functions: Delayed programming of up to 24 hours. Nby2, half-load and option of dish reload
- Display with: Indicator for temperature, water consumption, electricity consumption, delayed programming of up to 24 hours, time remaining, programme selected, salt, polish and functions selected
- Third rack. Top and bottom racks with foldable supports
- Bottle washing function / Turbo dry and Turbo wash



ENERGY EFFICIENCY



CONSUMPTION PER CYCLE



NOISE LEVEL



N3protect



PROGRAMMES



3-IN-1 LIQUID DETERGENT GEL



NPUSH



NSLIDER



LED DISPLAY



BEAM ON FLOOR



AUTOMATIC OPENING

#### Finishes

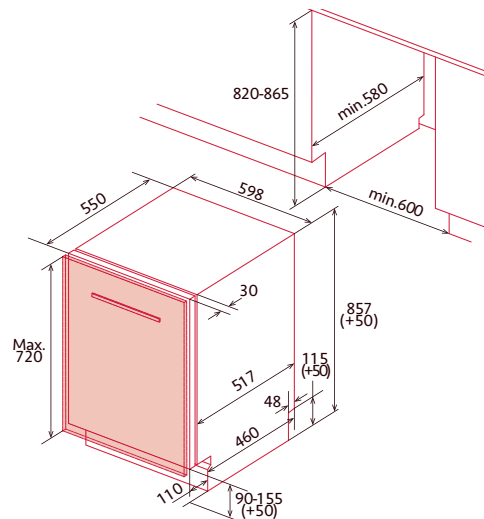


Norcare DW 6145 I PRO

#### Models

Norcare DW 6145 I PRO Code: 8711 EAN: 8422248110792

#### Dimensions Diagrams







## BUILT-IN DISHWASHER

### NorCare DW6141 I SL

- Built-in dishwasher of 60 cm with capacity for 14 place settings
- N3protect. Triple safety system: overheating, anti-overflow and water leaks
- Special programmes: Nquick+, Ncare and Nfresh
- Functions: Delayed programming of up to 24 hours. Nby2, half-load and option of dish reload
- Display with: Indicator for delayed programming of up to 24 hours, time remaining, programme selected, salt, polish and functions selected
- Third rack. Top and bottom racks with foldable supports

#### Models

NorCare DW6141 I SL

Code: 8709

EAN: 8435025787094



ENERGY EFFICIENCY



CONSUMPTION PER CYCLE



NOISE LEVEL



N3protect



PROGRAMMES



3-IN-1 LIQUID DETERGENT GEL



NPUSH



NSLIDER



LED DISPLAY



NMOVE



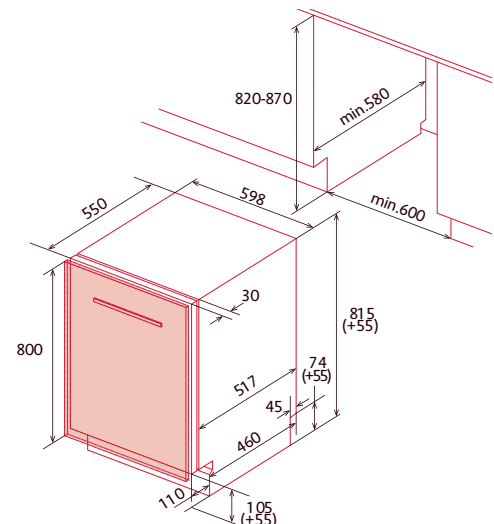
AUTOMATIC OPENING

#### Finishes



NorCare DW6141 I SL

#### Dimensions Diagrams





## BUILT-IN DISHWASHER

### NorCare DW4611 I SL

- Built-in dishwasher of 45 cm with capacity for 10 place settings
- N3protect. Triple safety system: overheating, anti-overflow and water leaks
- Special programmes: Nclean, Nquick+ and Ncare
- Functions: Delayed programming of up to 24 hours. Nby2, half-load and option of dish reload
- Display with: Indicator for delayed programming of up to 24 hours, time remaining, programme selected, salt, polish and functions selected
- Turbo dry



ENERGY EFFICIENCY



CONSUMPTION PER CYCLE



NOISE LEVEL



N3protect



PROGRAMMES



3-IN-1 LIQUID DETERGENT GEL



NPUSH



NSLIDER



LED DISPLAY



NMOVE

#### Finishes



NorCare DW4611 I SL

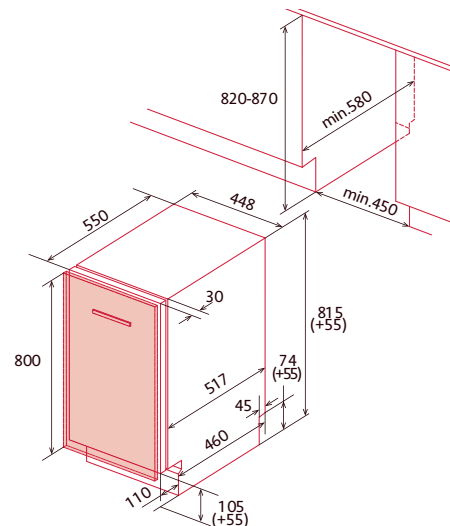
#### Models

NorCare DW4611 I SL

Code: 8710

EAN: 8435025787100

#### Dimensions Diagrams





## BUILT-IN WASHING-DRYER MACHINE

### NorCare WD1480 I

- Built-in, front-loading washing-dryer machine, with wash capacity of 1 to 8 kg, drying capacity of 1 to 6 kg
- Silence Inverter. Condensation drying system
- Nsensor. Variable consumption depending on load and detergent excess
- Independent temperature and centrifuging speed selectors
- Display with: delayed programming of up to 24 hours, duration and time remaining for programme
- Special programmes: Nquick 60', Nspecial: mixed, baby clothes, jeans, sports clothes and customised programmes
- Options: select delay of up to 24 hours and select degrees for drying



WASHING MACHINE ENERGY EFFICIENCY



DRYER ENERGY EFFICIENCY



WASHING CAPACITY



DRYING CAPACITY



REVERSING SYSTEM



MAXIMUM CENTRIFUGING SPEED



NCHILD



DOOR LOCK



WASHING PROGRAMMES



LED DISPLAY

#### Finishes



NorCare WD1480 I

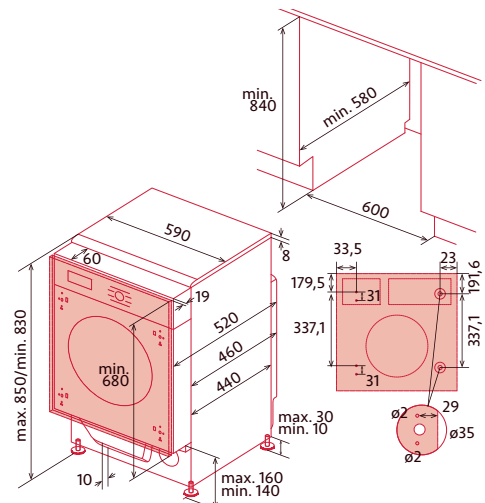
#### Models

NorCare WD1480 I

Code: 4198

EAN: 8435025741980

#### Dimensions Diagrams







## BUILT-IN WASHING MACHINE

### NorCare WM1491 I

- Built-in, front loading washing machine with 16 programs, capacity from 1 to 9 kg
- Maximum spin speed 1400 r.p.m.
- Independent temperature and spin speed selector
- Display with: delayed programming up to 24 hours, program duration and remaining time and steam
- Special programs: Nquick+, Nspecial: mixed, baby clothes, sports, and customized program
- Options: deferred programming up to 24 hours, pre-wash and extra rinse

#### Models

NorCare WM 1491 I

Code: 4173 EAN: 8422248360319



ENERGY EFFICIENCY



WASHING CAPACITY



MAXIMUM CENTRIFUGING SPEED



NCHILD



DOOR LOCK



WASHING PROGRAMMES



LED DISPLAY



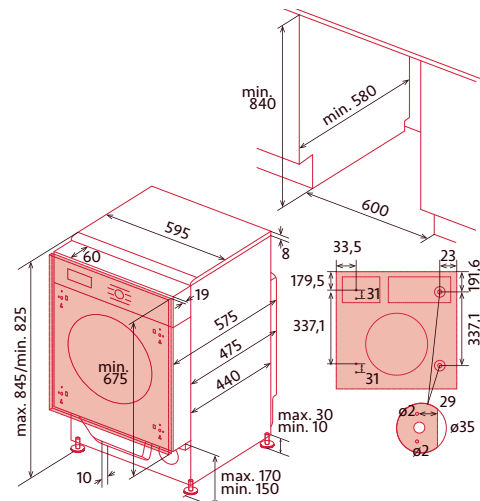
STEAM

#### Finishes



NorCare WM 1491 I

#### Dimensions Diagrams









WINE COOLERS

WINE COOLERS





## WINE COOLERS

**Nodor's wine coolers** will fit in perfectly with your kitchen thanks to their stylish design with a stainless steel external finish and a wooden interior. You'll forget you have a wine cooler, so perfectly do they integrate and thanks to their low noise level of up to 39 dB. A wine cooler is the perfect way to store wine and prevent vibrations.

Nodor's new wine coolers are practical thanks to their reversible doors, meaning you can install them in any position. Access to your wine is simple and convenient via sliding racks.

The wine cooler range offers an extensive variety of options that can be installed in kitchen units. They range from compact options of 45 cm to those for column installation in sizes of 45 cm or 60 cm.

Their interior LED lighting (installed in all models) offers this appliance a touch of elegance). It will also protect your wine, as this form of light doesn't emit infrared or ultraviolet rays, thus preventing the appearance of light-struck taste in wine.



## WINE COOLERS



### NORFROST

All wine coolers in Nodor's new range featuring Norfrost technology prevent ice from forming on their walls, thereby facilitating maintenance and cleaning tasks while also ensuring improved wine storage and a longer useful life for the appliance.



### NORTEMP

The temperature control system (in any of the different spaces) allows you to have precise, constant control over the temperature inside the entire wine cooler. According to your tastes and needs you'll be able to simply control the temperature. With up to two different layered temperature areas for improved wine storage. 11-13°C white wine, 5-11°C champagne, 14-22°C red wine.



### NSAVOR

Nodor's wine coolers have an electronic touch control that enables you to select the temperature easily and conveniently to achieve the perfect temperature for serving your favourite wine.



### NPROTECT

Since an investment in a good wine means you can't store it just any old way, Nodor's wine coolers offer unbeatable storage conditions that combat wine's old enemies, including vibrations and ultraviolet rays.



### NPUREAIR

Thanks to their air purification system via their carbon filter, you'll prevent bad ambient odours, intense aromas and the bacteria that contaminate the flavour and scent of your wines, or destroy their corks.



**NEW**

FREE STANDING

**NorCare VF171 BK**

COD 4220 EAN 8422248371827

P. 116



**NEW**

FREE STANDING

**NorCare VF91 BK**

COD 4221 EAN 8422248371834

P. 117



**NEW**

FREE STANDING

**NorCare VF53 BK**

COD 4222 EAN 8422248371841

P. 118



**NEW**

BUILT-IN AND COLUMN INSTALLATION

**NorCare VC57 BK**

COD 4235 EAN 8422248371674

P. 119



**NEW**

BUILT-IN AND COLUMN INSTALLATION

**NorCare VC36 BK**

COD 4234 EAN 8422248371667

P. 120



**NEW**

BUILT-IN AND COLUMN INSTALLATION

**NorCare VC28 BK**

COD 4233 EAN 8422248371643

P. 121



**NEW**

BUILT-UNDER INSTALLATION

**NorCare VB46 BK**

COD 4188 EAN 8422248371636

P. 122



**NEW**

BUILT-UNDER INSTALLATION

**NorCare VB17 BK**

COD 4187 EAN 8422248371629

P. 123



**NEW**

BUILT-UNDER INSTALLATION

**NorCare VB07 BK**

COD 4186 EAN 8422248371605

P. 124



# WINE COOLERS

---



COMPACT WINE COOLER

**NorCare VC 4600 MB**

COD 4153 EAN 8422248348386

P. 125



COMPACT WINE COOLER

**NorCare VC 4600 SS**

COD 4157 EAN 8422248348461

P. 125



COMPACT WINE COOLER

**NorCare VC 4600 DB**

COD 4151 EAN 8422248348225

P. 125



COMPACT WINE COOLER

**NorCare VC 4600 SW**

COD 4155 EAN 8422248348300

P. 125



COMPACT WINE COOLER

**NorCare VC 4800 DB /A**

COD 4184 EAN 8435025741843

P. 126



COMPACT WINE COOLER

**NorChef VC 4800 SW**

COD 4185 EAN 8422248111294

P. 126



BUILT-IN WINE COOLER

**NorCare V36 BK**

COD 4191 EAN 8422248101820

P. 127



BUILT-IN WINE COOLER

**NorCare V28BK**

COD 4190 EAN 8422248101813

P. 128



FREE STANDING

## NorCare VF171 BK

**NEW**

### Models

NorCare VF171 BK

Cod.: 4220 EAN: 8422248371827

- Free standing no frost wine cooler
- No Frost technology
- Electronic temperature regulation between 5-18°C
- 2 independent temperature zones
- Wood shelves
- Nominal power 110W
- Inner LED
- 6,5 levels of storage
- Npureair. Air purification with carbon filter



ENERGY EFFICIENCY



ELECTRONIC TOUCH CONTROL



METAL HANDLE



LED DISPLAY



CAPACITY



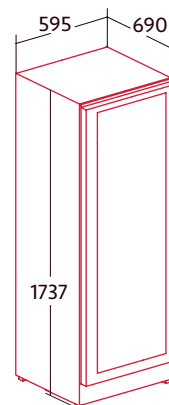
REVERSIBLE DOOR

### Finishes

### Dimensions Diagrams



NorCare VF171 BK





FREE STANDING

## NorCare VF91 BK

**NEW**

### Models

**NorCare VF91 BK** Cod.: 4221 EAN: 8422248371834

- Free standing no frost wine cooler
- No Frost technology
- Electronic temperature regulation between 5-18°C
- 2 independent temperature zones
- Wood shelves
- Nominal power 110W
- Inner LED
- 4,5 levels of storage
- Npureair. Air purification with carbon filter



ENERGY EFFICIENCY



ELECTRONIC TOUCH CONTROL



METAL HANDLE



LED DISPLAY



CAPACITY



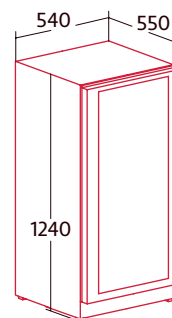
REVERSIBLE DOOR

### Finishes

### Dimensions Diagrams



NorCare VF91 BK







**NODOR & Can Roca**

FREE STANDING

## NorCare VF53 BK

**NEW**

### Models

**NorCare VF53 BK** Cod.: 4222 EAN: 8422248371841

- Free standing no frost wine cooler
- No Frost technology
- Electronic temperature regulation between 5-18°C
- 2 independent temperature zones
- Wood shelves
- Nominal power 110W
- Inner LED
- 5 levels of storage



ENERGY EFFICIENCY



ELECTRONIC TOUCH CONTROL



METAL HANDLE



LED DISPLAY



CAPACITY



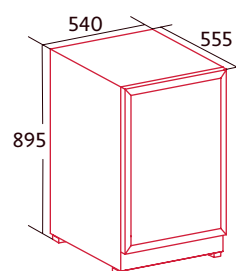
REVERSIBLE DOOR

### Finishes

### Dimensions Diagrams



NorCare VF53 BK





## BUILT-IN AND COLUMN INSTALLATION

### NorCare VC57 BK

**NEW**

- Built-in and column installation no frost wine cooler
- No Frost technology
- Electronic temperature regulation between 5-22°C
- 2 independent temperature zones
- Wood shelves
- Nominal power 70W
- Inner LED
- 5 levels of storage



ENERGY EFFICIENCY



ELECTRONIC TOUCH CONTROL



METAL HANDLE



LED DISPLAY



CAPACITY



REVERSIBLE DOOR

#### Finishes



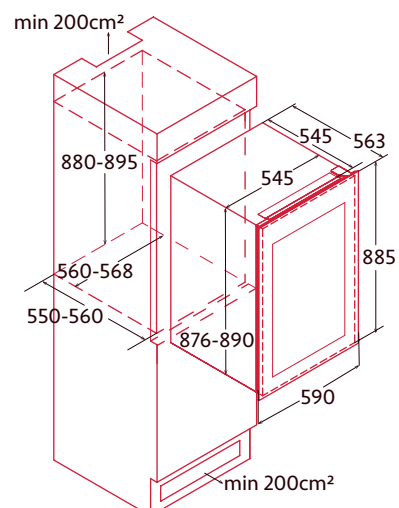
NorCare VC57 BK

#### Models

NorCare VC57 BK

Cod.: 4235 EAN: 8422248371674

#### Dimensions Diagrams





## BUILT-IN AND COLUMN INSTALLATION

### NorCare VC36 BK

**NEW**

- Built-in and column installation no frost wine cooler
- No Frost technology
- Electronic temperature regulation between 5-22°C
- 2 independent temperature zones
- Wood shelves
- Nominal power 85W
- Inner LED
- 3 levels of storage



ENERGY EFFICIENCY



ELECTRONIC TOUCH CONTROL



METAL HANDLE



LED DISPLAY



CAPACITY



REVERSIBLE DOOR

#### Finishes



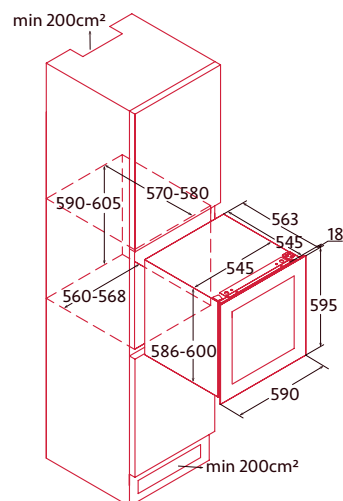
NorCare VC36 BK

#### Models

NorCare VC36 BK

Cod.: 4234 EAN: 8422248371667

#### Dimensions Diagrams







## BUILT-IN AND COLUMN INSTALLATION

### NorCare VC28 BK

**NEW**

- Built-in and column installation no frost wine cooler
- No Frost technology
- Electronic temperature regulation between 5-20°C
- 1 temperature zone
- Wood shelves
- Nominal power 65W
- Inner LED
- 2 levels of storage

#### Models

NorCare VC28 BK      Cod.: 4233    EAN: 8422248371643



ENERGY EFFICIENCY



ELECTRONIC TOUCH CONTROL



METAL HANDLE



LED DISPLAY



CAPACITY



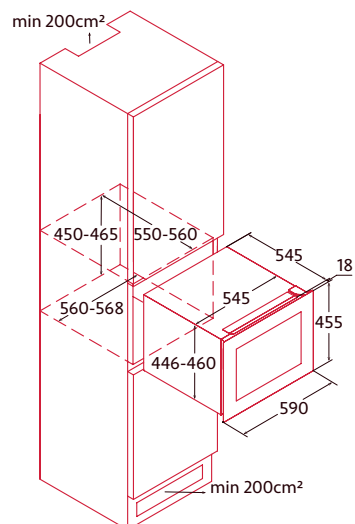
REVERSIBLE DOOR

#### Finishes

#### Dimensions Diagrams



NorCare VC28 BK





## BUILT-UNDER INSTALLATION

### NorCare VB46 BK

**NEW**

#### Models

NorCare VB46 BK

Cod.: 4188 EAN: 8422248371636

- Built-under installation no frost wine cooler
- No Frost technology
- Electronic temperature regulation between 5-22°C
- 2 independent temperature zones
- Wood shelves
- Nominal power 70W
- Inner LED
- 5 levels of storage
- Npureair. Air purification with carbon filter



ENERGY EFFICIENCY



ELECTRONIC TOUCH CONTROL



METAL HANDLE



LED DISPLAY



CAPACITY



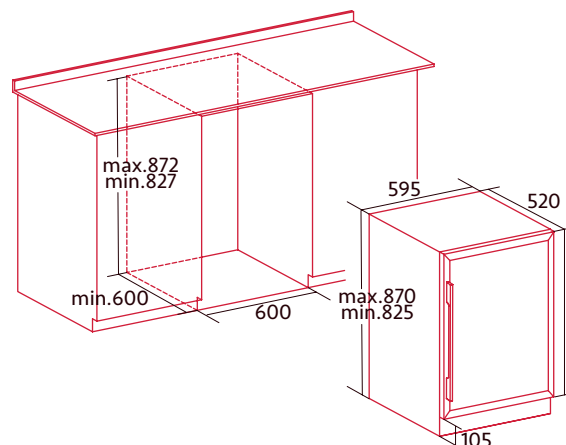
REVERSIBLE DOOR

#### Finishes

#### Dimensions Diagrams



NorCare VB46 BK





## BUILT-UNDER INSTALLATION

### NorCare VB17 BK

**NEW**

- Built-under installation no frost wine cooler
- No Frost technology
- Electronic temperature regulation between 5-22°C
- 2 independent temperature zones
- Wood shelves
- Nominal power 70W
- Inner LED
- 4 levels of storage

#### Models

NorCare VB17 BK      Cod.: 4187    EAN: 8422248371629



ENERGY EFFICIENCY



ELECTRONIC TOUCH CONTROL



METAL HANDLE



LED DISPLAY



CAPACITY



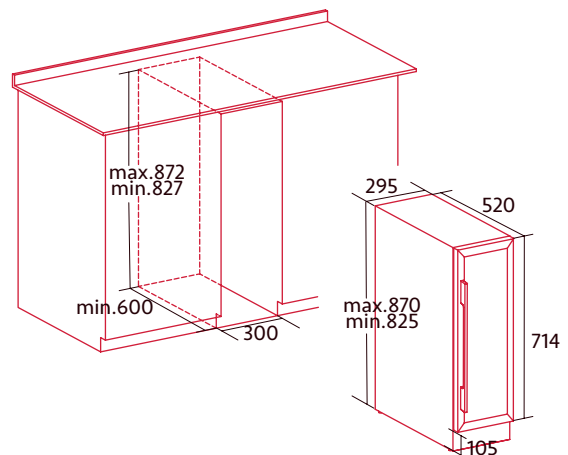
REVERSIBLE DOOR

#### Finishes

#### Dimensions Diagrams



NorCare VB17 BK







BUILT-UNDER INSTALLATION

## NorCare VB07 BK

**NEW**

### Models

NorCare VB07 BK

Cod.: 4186 EAN: 8422248371605

- Built-under installation no frost wine cooler
- No Frost technology
- Electronic temperature regulation between 5-20°C
- 1 temperature zone
- Nominal power 60W
- Inner LED



EFICIENCIA  
ENERGÉTICA



CONTROL ELEC-  
TRÓNICO TÁCTIL



TIRADOR  
METÁLICO



DISPLAY LED



CAPACIDAD



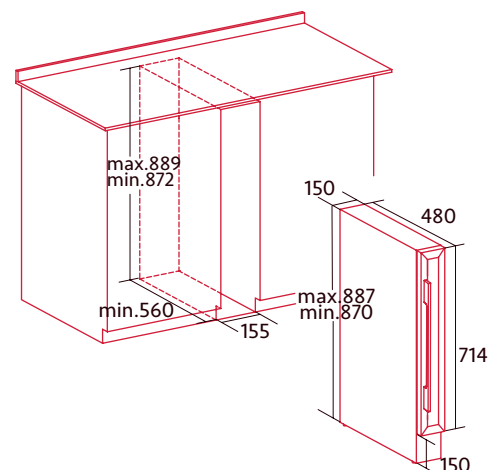
PUERTA  
REVERSIBLE

### Finishes

### Dimensions Diagrams



NorCare VB07 BK





## COMPACT WINE COOLER

### NorCare VC 4600

- No-frost wine cooler for column installation
- No-Frost technology
- Electronic temperature adjustment between 5-20°C
- 1 temperature zone
- Wooden racks
- Internal LED
- 4 storage levels
- Npureair. Air purification via carbon filter



ENERGY EFFICIENCY



TOUCH CONTROLS



CAPACITY



NPUREAIR



LED DISPLAY



METAL HANDLE

#### Finishes



NorCare VC 4600 MB - matte black steel



NorCare VC 4600 SS - stainless steel



NorCare VC 4600 DB - black glass

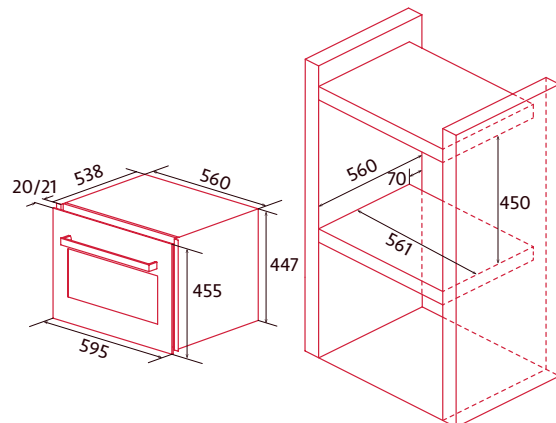


NorCare VC 4600 SW - white glass

#### Models

<b>NorCare VC 4600 MB</b>	<b>Code:</b> 4153	<b>EAN:</b> 8422248348386
<b>NorCare VC 4600 SS</b>	<b>Code:</b> 4157	<b>EAN:</b> 8422248348461
<b>NorCare VC 4600 DB</b>	<b>Code:</b> 4151	<b>EAN:</b> 8422248348225
<b>NorCare VC 4600 SW</b>	<b>Code:</b> 4155	<b>EAN:</b> 8422248348300

#### Dimensions Diagrams





## COMPACT WINE COOLER

### NorCare VC 4800

- No-frost wine cooler for column installation
- No-Frost technology
- Electronic temperature adjustment between 5-20°C
- Pull-down door with soft-open/close system
- Wooden racks
- Internal LED
- 4 storage levels



ENERGY EFFICIENCY



TOUCH CONTROLS



CAPACITY



SOFTCLOSE



LED DISPLAY



METAL HANDLE

#### Finishes



NorCare VC 4800 DB - black glass,  
Chrome handel

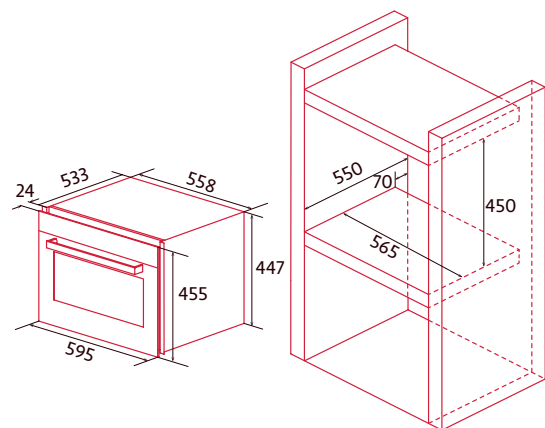


NorChef VC 4800 SW - white glass,  
Chrome handel

#### Models

<b>NorCare VC 4800 DB</b>	<b>Code:</b> 4184	<b>EAN:</b> 8435025741843
<b>NorChef VC 4800 SW</b>	<b>Code:</b> 4185	<b>EAN:</b> 8422248111294

#### Dimensions Diagrams







## BUILT-IN WINE COOLER

### NorCare V36 BK

- No-frost wine cooler for column installation
- No-Frost technology
- Electronic temperature adjustment between 5-22°C
- 2 independent temperature zones
- Wooden racks
- Internal LED
- 4 storage levels



ENERGY EFFICIENCY



ELECTRONIC TOUCH CONTROL



METAL HANDLE



LED DISPLAY



CAPACITY



REVERSIBLE DOOR

#### Finishes



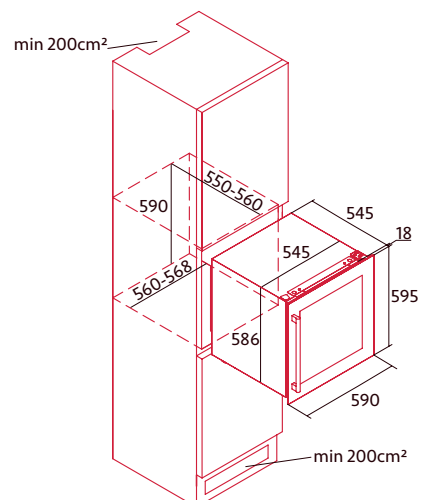
NorCare V36 BK

#### Models

NorCare V36 BK

Code: 4191 EAN: 8422248101820

#### Dimensions Diagrams





## BUILT-IN WINE COOLER

### NorCare V28BK

- No-frost wine cooler for column installation
- No-Frost technology
- Electronic temperature adjustment between 5-20°C
- 1 temperature zone
- Wooden racks
- Internal LED
- 3 storage levels



ENERGY EFFICIENCY



ELECTRONIC TOUCH CONTROL



METAL HANDLE



LED DISPLAY



CAPACITY



REVERSIBLE DOOR

#### Finishes



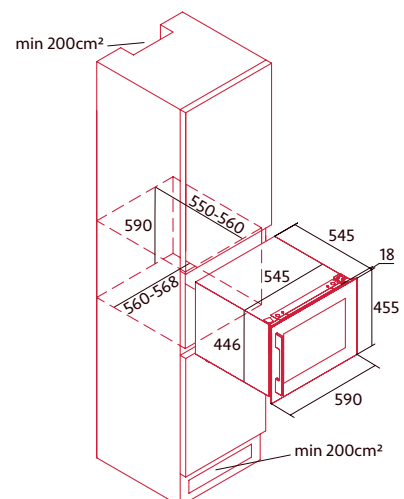
NorCare V28BK

#### Models

NorCare V28BK

Code: 4190 EAN: 8422248101813

#### Dimensions Diagrams



## TAPS&SINKS







## TAPS AND SINKS

In addition to offering different models, sizes and aesthetics, **Nodor** has designed a **full range of taps** where you will find the right solution for your kitchen that best suits your aesthetic and functional requirements.

All Nodor taps (as is the case with all other ranges the brand markets) are subject to strict quality testing and follow the highest standards, which set Nodor apart in the market in terms of reliability and maximum durability. Nodor only uses top-quality materials and finishes, while never neglecting design.

This extensive range offers stainless steel models with low and high spouts, with lever customisation options to suit different kitchen settings.

In its catalogue Nodor features taps in a new stainless steel series with premium quality finishes, while you will also find taps with removable spouts, offering the versatility and functionality that best adapts to your needs.

The result of advanced engineering with a notable focus on design is a **range of sinks worthy of even the most ambitious of kitchens.**

Using innovative technology together with high-quality raw materials, Nodor presents NorGranite, a collection of sinks destined to be the star of the show.

The basis of our sinks is quartz, the hardest part of granite. We mould our quartz with high-quality acrylic resin via a special smelting process controlled by computer. The result is a hardened composite material that is resistant to scratches, dents, stains, heat and cracks.

Thanks to this characteristic, our quartz composite sinks last almost a lifetime.

They are available with or without a drainboard, with one or two basins, or with an auxiliary basin. They come in a wide variety of colours, design shapes and sizes.

Different installation options are available (undermount or top-mount), which are very simple to do, with the sink left perfectly fixed thanks to its attachment clips.

Some of our models are design to personalise tap placement with a lip at the rear that makes it simple to create the hole for the tap, without noticing this on the sink's visible parts.

The details make all the difference. Smooth finishes, profiles precisely rounded to the millimetre, perfect edges, personalised overflows, practical drains and an endless number of unique features make a huge difference on the naked eye.

We're fully committed to caring for our planet. We believe in responsible, sustainable development while complying with all management system standards and international certifications.

This commitment entails pinpointing more sustainable production methods and investing in resource-saving technology to promote manufacturing.

Their practical design, overflow integration, broad range of installation options, marked angles between surfaces and 10 mm edges that facilitate cleaning make the new NorAce sinks in stainless steel the perfect tool for integrating a sink in a kitchen.

Their three installation types offer your kitchen a wide selection of possibilities. Practical undermount installation will facilitate cleaning since there will be no obstacles between your sink and the worktop surface. Elegant flush-mount installation will create a contrast between the worktop and the sink's stainless steel trim, which is also easy to clean. Lastly, the most widely used installation type is top-mount, which will allow you to enhance your sink's visual impact.

Sinks in stainless steel AISI 304 maintain their unaltered appearance thanks to their resistance to oxidation, practically guaranteeing they will last for life. Their 1 mm thickness and satin finish make them resistant to accidental blows and scratches during daily use.

Their attractive hidden valve increases their beauty by remaining perfectly integrated with the drain's surface. Furthermore, you can customise the hidden valve with the same colour as your Nodor tap.

## TAPS AND SINKS



Heat resistant up to 280°C.



Resistant to stains, scratches, dents and cracks.



Sharp, lasting colours.



Easy to clean.



Resistant to abrasive products.

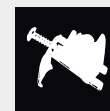
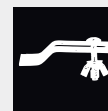
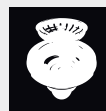
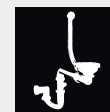
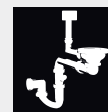
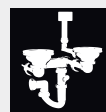


100% non-porous, hygienic and bacteria-resistant.



Safe in contact with food.

All necessary accessories included. Drain with independent basket, customised overflow and attachment clips (undermount and top-mount).



## TAPS & SINKS



MIXER TAP

**NorFlow BLACKBIRD BK**

COD 4095 EAN 8435025740952

P. 134



MIXER TAP

**NorFlow BLACKBIRD WH**

COD 4096 EAN 8435025740969

P. 134



MIXER TAP

**NorFlow ROBIN BK**

COD 4098 EAN 8435025740983

P. 135



MIXER TAP

**NorFlow ROBIN SS**

COD 4099 EAN 8435025740990

P. 135



MIXER TAP

**NorFlow ROBIN CU**

COD 4100 EAN 8435025741003

P. 135



MIXER TAP

**NorFlow HERON CHROME**

COD 4134 EAN 8435025741348

P. 136



MIXER TAP

**NorFlow HERON WHITE**

COD 4135 EAN 8435025741355

P. 136



MIXER TAP

**NorFlow HERON BLACK**

COD 4136 EAN 8435025741362

P. 136



GRANITE SINK

**NorGranite 78.50 1B 1D BK**

COD 4058 EAN 8435025740587

P. 138



GRANITE SINK

**NorGranite 78.50 1B 1D WH**

COD 4060 EAN 8435025740600

P. 138



GRANITE SINK

**NorGranite 78.50 1B 1D BG**

COD 4059 EAN 8435025740594

P. 138



GRANITE SINK

**NorGranite 78.50 1B BK**

COD 4079 EAN 8435025740792

P. 139



GRANITE SINK

**NorGranite 78.50 1B WH**

COD 4081 EAN 8435025740815

P. 139



GRANITE SINK

**NorGranite 78.50 1B BG**

COD 4080 EAN 8435025740808

P. 139



GRANITE SINK

**NorGranite 55.40 1B BK**

COD 4085 EAN 8435025740853

P. 140



GRANITE SINK

**NorGranite 55.40 1B WH**

COD 4087 EAN 8435025740877

P. 140



## TAPS & SINKS

---



GRANITE SINK

**NorGranite 55.40 1B BG**

COD 4086 EAN 8435025740860

P. 140



GRANITE SINK

**NorGranite 45 40 1B BK**

COD 4082 EAN 8435025740822

P. 141



GRANITE SINK

**NorGranite 45 40 1B WH**

COD 4084 EAN 8435025740846

P. 141



GRANITE SINK

**NorGranite 45 40 1B BG**

COD 4083 EAN 8435025740839

P. 141



GRANITE SINK

**NorGranite 40.40 1B BK**

COD 4088 EAN 8435025740884

P. 142



GRANITE SINK

**NorGranite 40.40 1B WH**

COD 4090 EAN 8435025740907

P. 142



GRANITE SINK

**NorGranite 40.40 1B BG**

COD 4089 EAN 8435025740891

P. 142

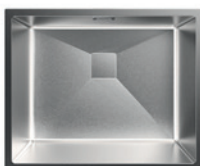


STAINLESS STEEL SINK

**NorAce 70.40 1C R10 CP**

COD 4093 EAN 8435025740938

P. 143

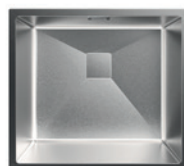


STAINLESS STEEL SINK

**NorAce 50.40 1C R10 CP**

COD 4091 EAN 8435025740914

P. 144

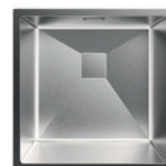


STAINLESS STEEL SINK

**NorAce 45.40 1C R10 CP**

COD 4092 EAN 8435025740921

P. 145



STAINLESS STEEL SINK

**NorAce 40.40 1C R10 CP**

COD 4094 EAN 8435025740945

P. 146



## TAP

### NorFlow BLACKBIRD

- Mixer tap in stainless steel 304 with satin finish
- High semi-professional spout with curve, removable and rotates 360°
- Handle-style lever, positioned on the right side of the tap
- Aerator function for more efficient rinsing
- Shower function
- Ceramic cartridge included
- Flexible connection tubes included
- Dimensions (height x width x depth): 535 x 100 x 265 mm

### Models

<b>NorFlow BLACKBIRD BK</b>	<b>Code:</b> 4095	<b>EAN:</b> 8435025740952
<b>NorFlow BLACKBIRD WH</b>	<b>Code:</b> 4096	<b>EAN:</b> 8435025740969

### Finishes

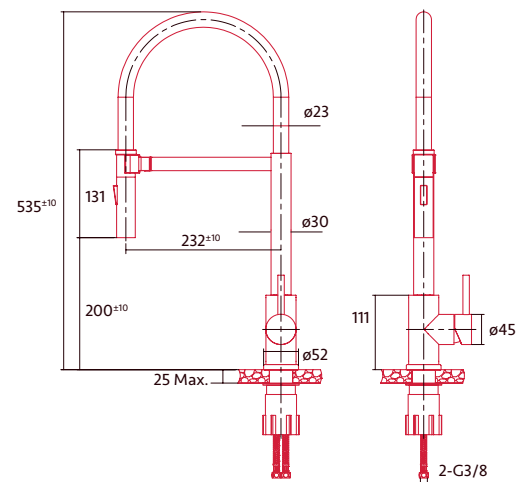


NorFlow BLACKBIRD BK



NorFlow BLACKBIRD WH

### Dimensions Diagrams





TAP

## NorFlow ROBIN

- Mixer tap in stainless steel 304 with satin finish
- High spout with L-shape, rotates 360°
- Handle-style lever, positioned on the right side of the tap
- Aerator function for more efficient rinsing
- Ceramic cartridge included
- Flexible connection tubes included
- Dimensions (height x width x depth): 280 x 265 x 100 mm

### Models

<b>NorFlow ROBIN BK</b>	<b>Code:</b> 4098	<b>EAN:</b> 8435025740983
<b>NorFlow ROBIN SS</b>	<b>Code:</b> 4099	<b>EAN:</b> 8435025740990
<b>NorFlow ROBIN CU</b>	<b>Code:</b> 4100	<b>EAN:</b> 8435025741003

### Finishes



NorFlow ROBIN BK

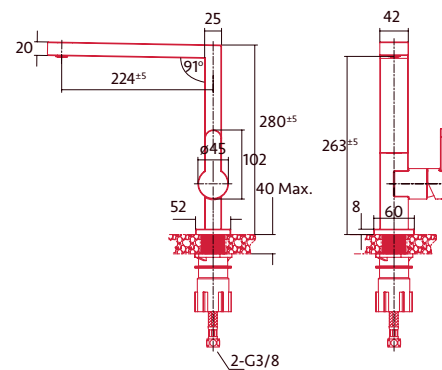


NorFlow ROBIN SS



NorFlow ROBIN CU

### Dimensions Diagrams







TAP

## NorFlow HERON

**NEW**

- Mixer tap
- High spout, rotates 360°
- Handle-style lever, positioned on the right side of the tap
- Cold start
- Ceramic cartridge included
- Flexible connection tubes included
- Dimensions (height x width x depth): 390 x 210 x 100 mm

### Models

**NorFlow HERON CHROME** Code: 4134 EAN: 8435025741348

**NorFlow HERON WHITE** Code: 4135 EAN: 8435025741355

**NorFlow HERON BLACK** Code: 4136 EAN: 8435025741362

### Finishes



NorFlow HERON CHROME

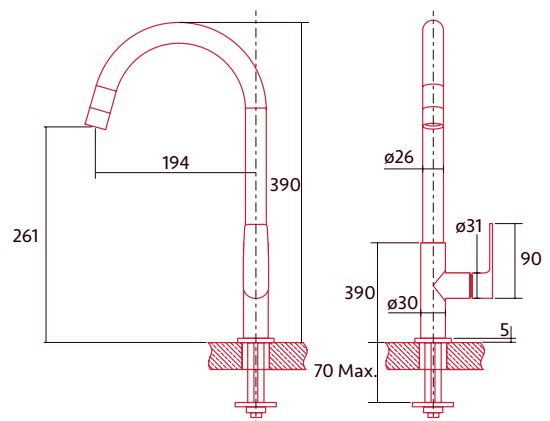


NorFlow HERON WHITE



NorFlow HERON BLACK

### Dimensions Diagrams







## GRANITE SINK

### NorGranite 78.50 1B 1D

- Granite top-mount sink
- 1 rectangular basin
- Sink with mark for tap orifice
- Drain with round basket valve 3 1/2"
- Accessories included: round valves, tap plugs, siphon and overflow tube



TOP-MOUNT  
INSTALLATION



BASIN DEPTH



FOR UNIT  
OF 50 CM



REVERSIBLE

#### Finishes



NorGranite 78.50 1B 1D BK



NorGranite 78.50 1B 1D WH



NorGranite 78.50 1B 1D BG

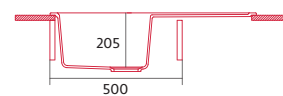
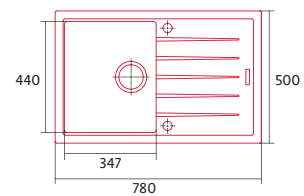
#### Models

**NorGranite 78.50 1B 1D BK** Code: 4058 EAN: 8435025740587

**NorGranite 78.50 1B 1D WH** Code: 4060 EAN: 8435025740600

**NorGranite 78.50 1B 1D BG** Code: 4059 EAN: 8435025740594

#### Dimensions Diagrams







GRANITE SINK

**NorGranite 78.50 1B**

- Granite top-mount sink
- 1 rectangular basin
- Sink with mark for tap orifice
- Drain with round basket valve 3 1/2"
- Accessories included: round valves, tap plugs, siphon and overflow tube

**Models**

<b>NorGranite 78.50 1B BK</b>	<b>Code:</b> 4079	<b>EAN:</b> 8435025740792
<b>NorGranite 78.50 1B WH</b>	<b>Code:</b> 4081	<b>EAN:</b> 8435025740815
<b>NorGranite 78.50 1B BG</b>	<b>Code:</b> 4080	<b>EAN:</b> 8435025740808



TOP-MOUNT  
INSTALLATION



BASIN DEPTH



FOR UNIT  
OF 80 CM

**Finishes**



NorGranite 78.50 1B BK

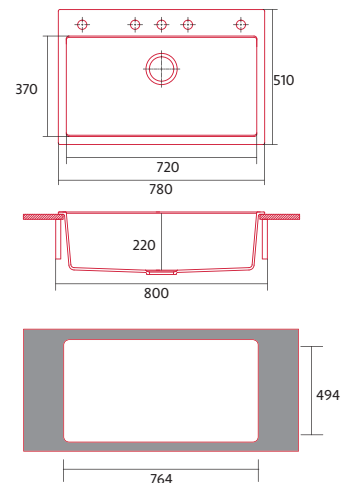


NorGranite 78.50 1B WH



NorGranite 78.50 1B BG

**Dimensions Diagrams**





GRANITE SINK

**NorGranite 55.40 1B**

- Granite top-mount/undermount sink
- 1 rectangular basin
- Drain with square basket valve 3 1/2"
- Accessories included: round valves, tap plugs, siphon and overflow tube

**Models**

<b>NorGranite 55.40 1B BK</b>	<b>Code:</b> 4085	<b>EAN:</b> 8435025740853
<b>NorGranite 55.40 1B WH</b>	<b>Code:</b> 4087	<b>EAN:</b> 8435025740877
<b>NorGranite 55.40 1B BG</b>	<b>Code:</b> 4086	<b>EAN:</b> 8435025740860



TOP-MOUNT  
INSTALLATION



UNDERMOUNT  
INSTALLATION



BASIN DEPTH



FOR UNIT  
OF 70 CM

**Finishes**



NorGranite 55.40 1B BK

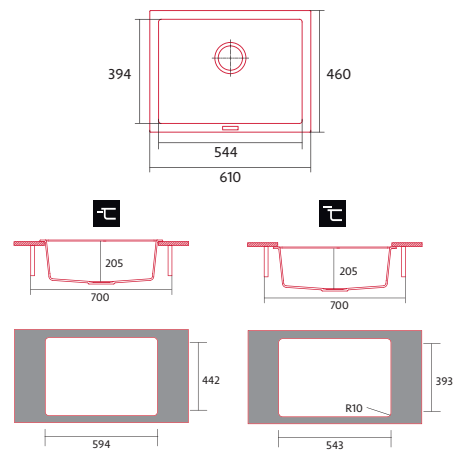


NorGranite 55.40 1B WH



NorGranite 55.40 1B BG

**Dimensions Diagrams**





## GRANITE SINK

### NorGranite 45 40 1B

- Granite top-mount/undermount sink
- 1 rectangular basin
- Drain with square basket valve 3 1/2"
- Accessories included: round valves, tap plugs, siphon and overflow tube

#### Models

**NorGranite 45 40 1B BK** Code: 4082 EAN: 8435025740822

**NorGranite 45 40 1B WH** Code: 4084 EAN: 8435025740846

**NorGranite 45 40 1B BG** Code: 4083 EAN: 8435025740839



TOP-MOUNT  
INSTALLATION



UNDERMOUNT  
INSTALLATION



BASIN DEPTH



FOR UNIT  
OF 60 CM

#### Finishes



NorGranite 45 40 1B BK

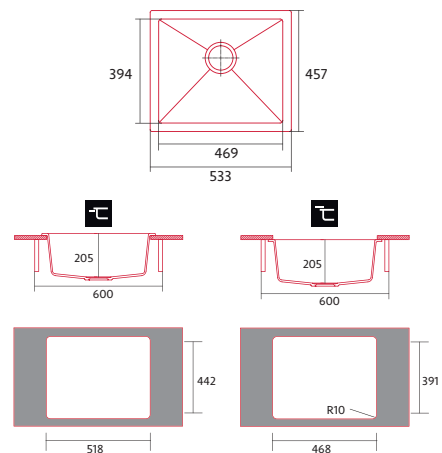


NorGranite 45 40 1B WH



NorGranite 45 40 1B BG

#### Dimensions Diagrams







## GRANITE SINK

### NorGranite 40.40 1B

- Granite top-mount/undermount sink
- 1 rectangular basin
- Drain with square basket valve 3 1/2"
- Accessories included: round valves, tap plugs, siphon and overflow tube

#### Models

**NorGranite 40.40 1B BK** Code: 4088 EAN: 8435025740884

**NorGranite 40.40 1B WH** Code: 4090 EAN: 8435025740907

**NorGranite 40.40 1B BG** Code: 4089 EAN: 8435025740891



TOP-MOUNT  
INSTALLATION



UNDERMOUNT  
INSTALLATION



BASIN DEPTH



FOR UNIT  
OF 50 CM

#### Finishes



NorGranite 40.40 1B BK

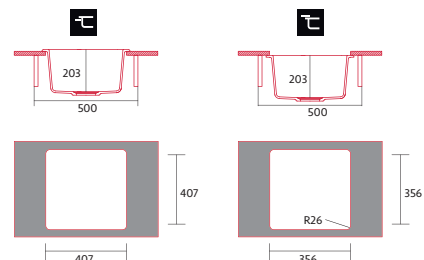
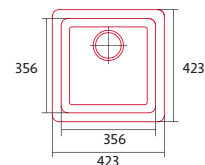


NorGranite 40.40 1B WH



NorGranite 40.40 1B BG

#### Dimensions Diagrams





## STAINLESS STEEL SINK

### NorAce 70.40 1C R10 CP

- Top-mount/undermount sink
- 1 rectangular basin
- Hidden round valve of 3 1/2"
- Accessories included: square valve, siphon and overflow tube

#### Models

**NorAce 70.40 1C R10 CP** Code: 4093 EAN: 8435025740938

#### Accessories

**Norace HIDDEN WASTE BK** Code: 1318 EAN: 8435025713185

**Norace HIDDEN WASTE SS** Code: 1319 EAN: 8435025713192

**Norace HIDDEN WASTE CU** Code: 1320 EAN: 8435025713208



TOP-MOUNT  
INSTALLATION



UNDERMOUNT  
INSTALLATION



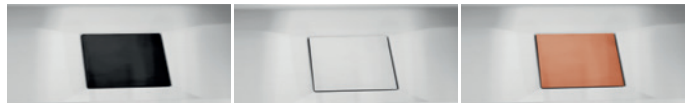
BASIN DEPTH



FOR UNIT  
OF 80 CM



RADIUS



Norace HIDDEN WASTE BK

Norace HIDDEN WASTE SS

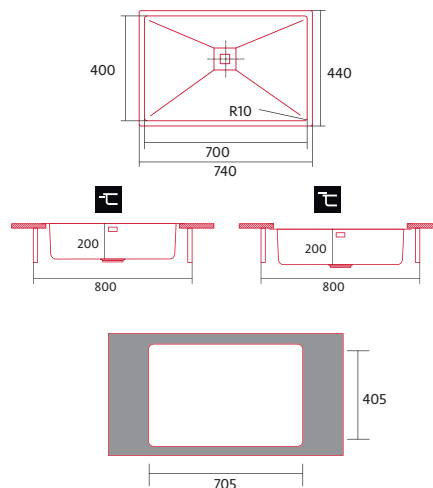
Norace HIDDEN WASTE CU

#### Finishes



NorAce 70.40 1C R10 CP

#### Dimensions Diagrams





STAINLESS STEEL SINK

**NorAce 50.40 1C R10 CP**

- Top-mount/undermount sink
- 1 rectangular basin
- Hidden round valve of 3 1/2"
- Accessories included: square valve, siphon and overflow tube



TOP-MOUNT  
INSTALLATION



UNDERMOUNT  
INSTALLATION



BASIN DEPTH



FOR UNIT  
OF 60 CM



RADIUS

**Models**

**NorAce 50.40 1C R10 CP** Code: 4091 EAN: 8435025740914

**Accessories**

**Norace HIDDEN WASTE BK** Code: 1318 EAN: 8435025713185

**Norace HIDDEN WASTE SS** Code: 1319 EAN: 8435025713192

**Norace HIDDEN WASTE CU** Code: 1320 EAN: 8435025713208



Norace HIDDEN WASTE BK



Norace HIDDEN WASTE SS



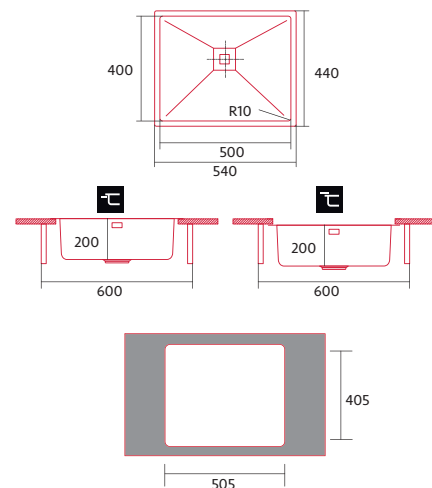
Norace HIDDEN WASTE CU

**Finishes**



NorAce 50.40 1C R10 CP

**Dimensions Diagrams**







STAINLESS STEEL SINK

**NorAce 45.40 1C R10 CP**

- Top-mount/undermount sink
- 1 rectangular basin
- Hidden round valve of 3 1/2"
- Accessories included: square valve, siphon and overflow tube

**Models**

**NorAce 45.40 1C R10 CP** Code: 4092 EAN: 8435025740921

**Accessories**

**Norace HIDDEN WASTE BK** Code: 1318 EAN: 8435025713185

**Norace HIDDEN WASTE SS** Code: 1319 EAN: 8435025713192

**Norace HIDDEN WASTE CU** Code: 1320 EAN: 8435025713208



TOP-MOUNT  
INSTALLATION



UNDERMOUNT  
INSTALLATION



BASIN DEPTH



FOR UNIT  
OF 60 CM



RADIUS



Norace HIDDEN WASTE BK

Norace HIDDEN WASTE SS

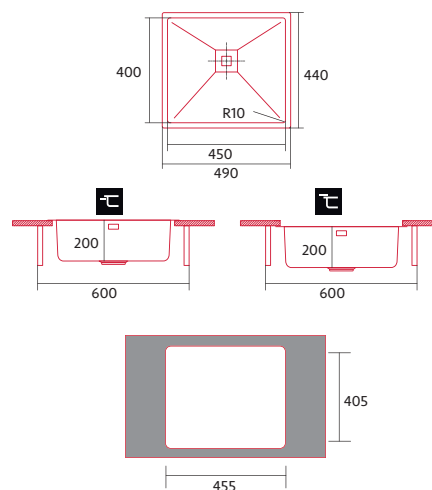
Norace HIDDEN WASTE CU

**Finishes**



NorAce 45.40 1C R10 CP

**Dimensions Diagrams**





STAINLESS STEEL SINK

**NorAce 40.40 1C R10 CP**

- Top-mount/undermount sink
- 1 rectangular basin
- Hidden round valve of 3 1/2"
- Accessories included: square valve, siphon and overflow tube

**Models**

**NorAce 40.40 1C R10 CP** Code: 4094 EAN: 8435025740945

**Accessories**

**Norace HIDDEN WASTE BK** Code: 1318 EAN: 8435025713185

**Norace HIDDEN WASTE SS** Code: 1319 EAN: 8435025713192

**Norace HIDDEN WASTE CU** Code: 1320 EAN: 8435025713208



TOP-MOUNT  
INSTALLATION



UNDERMOUNT  
INSTALLATION



BASIN DEPTH



FOR UNIT  
OF 50 CM



RADIUS



Norace HIDDEN WASTE BK

Norace HIDDEN WASTE SS

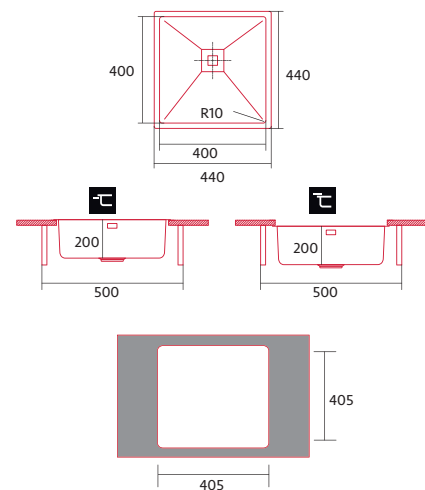
Norace HIDDEN WASTE CU

**Finishes**



NorAce 40.40 1C R10 CP

**Dimensions Diagrams**





## TECHNICAL INFORMATION



Code	2137	2153	2190	2144
EAN	8422248348348	8422248348423	8422248348164	8422248348263
Model	NorChef PO 6601 MB	NorChef PO 6601 SS	NorChef PO 6601 DB	NorChef PO 6601 SW
Type	Pyrolytic multifunction	Pyrolytic multifunction	Pyrolytic multifunction	Pyrolytic multifunction
<b>Product card</b>				
Energy efficiency index (conventional/multifunction EEI)	78	78	78	78
Energy efficiency class	A+	A+	A+	A+
Energy consumption in conventional mode (according to Standard EN 50304:2009) [kWh]	0,64	0,64	0,64	0,64
Energy consumption in multifunction mode (according to Standard EN 50304:2009) [kWh]	0,98	0,98	0,98	0,98
Number of cavities	1	1	1	1
Cavity volume [l]	65	65	65	65
<b>Dimensions</b>				
Int. dimensions: height [mm]	596	596	596	596
Int. dimensions: width [mm]	595	595	595	595
Int. dimensions: depth [mm]	560	560	560	560
Int. dimensions: height [mm]	470	470	470	470
Int. dimensions: width [mm]	415	415	415	415
Int. dimensions: depth [mm]	333	333	333	333
<b>Characteristics</b>				
Finish	Matte black / black	Black / stainless steel	Black / black	White / stainless steel
Soft-close door	Yes	Yes	Yes	Yes
Levels for trays	5	5	5	5
Fan	Yes	Yes	Yes	Yes
Number of lamps	2	2	2	2
<b>Controls</b>				
Control type	Mechanical	Mechanical	Mechanical	Mechanical
Screen technology	White LCD	White LCD	White LCD	White LCD
Operation indicator	Yes	Yes	Yes	Yes
Thermostat indicator	Yes	Yes	Yes	Yes
Minimum temperature [°C]	50	50	50	50
Maximum temperature turboheat [°C]	250	250	250	250
Minimum temperature steam [°C]	No	No	No	No
Maximum temperature steam [°C]	No	No	No	No
<b>Cleaning</b>				
Enamel	Easy-clean PyroNclean enamel	Easy-clean PyroNclean enamel	Easy-clean PyroNclean enamel	Easy-clean PyroNclean enamel
Type of cavity / lateral guides	Chrome, removable	Chrome, removable	Chrome, removable	Chrome, removable
Door glass interior	Removable	Removable	Removable	Removable
Safety lock				
Internal light	Yes	Yes	Yes	Yes
Fast preheat				
<b>Safety</b>				
Safety thermostat	Yes	Yes	Yes	Yes
Number of glass panels in door	4	4	4	4
Cooling fan	Yes	Yes	Yes	Yes
<b>Electrical connection</b>				
Grill power [W]				
Microwave power [W]				
Upper resistor power [W]				
Lower resistor power [W]				
Rear resistor power [W]				
Total mains power [W]	3350	3350	3350	3350
Nominal voltage [V] / Mains frequency [Hz]	220-240 / 50-60	220-240 / 50-60	220-240 / 50-60	220-240 / 50-60
Oven light power [W]	40	40	40	40
Plug	No	No	No	No
<b>Accessories</b>				
Flat tray	-	-	-	-
Deep tray	1	1	1	1
Perforated tray	-	-	-	-
Rack	1	1	1	1
Internal grill	-	-	-	-
Telescopic runners	1	1	1	1
Telescopic guides	60%	60%	60%	60%
Tray handle	-	-	-	-
Water tank [l]	No	No	No	No

2114	2118	2124	2138	2154	2131	2145
8435025721142	8435025721180	8435025721241	8422248348355	8422248348430	8422248348171	8422248348270
NorChef MO 6800 DB	NorChef MO 6800 SW	NorChef MO 6800 CU	NorChef MO 6600 MB	NorChef MO 6600 SS	NorChef MO 6600 DB	NorChef MO 6600 SW
Multifunction	Multifunction	Multifunction	Multifunction	Multifunction	Multifunction	Multifunction
95	95	95				
A	A	A	A	A	A	A
0.86	0.86	0.86				
0.79	0.79	0.79				
1	1	1	1	1	1	1
67	67	67	65	65	65	65
595	595	595	596	596	596	596
595	595	595	595	595	595	595
550	550	550	560	560	560	560
488	488	488				
415	415	415				
330	330	330				
Black / chrome	White / chrome	Black / copper	Matte black / black	Black / stainless steel	Black / black	White / stainless steel
Yes	Yes	Yes	Yes	Yes	Yes	Yes
5	5	5	5	5	5	5
Yes	Yes	Yes	Yes	Yes	Yes	Yes
1	1	1	1	1	1	1
Touch	Touch	Touch	Mechanical	Mechanical	Mechanical	Mechanical
White LCD	White LCD	White LCD	White LCD	White LCD	White LCD	White LCD
Yes	Yes	Yes	Yes	Yes	Yes	Yes
Yes	Yes	Yes	Yes	Yes	Yes	Yes
50	50	50	50	50	50	50
250	250	250	250	250	250	250
No	No	No	No	No	No	No
No	No	No	No	No	No	No
Easy-clean Nclean enamel	Easy-clean Nclean enamel	Easy-clean Nclean enamel	Easy-clean PyroNclean enamel	Easy-clean PyroNclean enamel	Easy-clean PyroNclean enamel	Easy-clean PyroNclean enamel
Chrome, removable	Chrome, removable	Chrome, removable	Chrome, removable	Chrome, removable	Chrome, removable	Chrome, removable
Removable	Removable	Removable	Removable	Removable	Removable	Removable
Nchild	Nchild	Nchild				
Yes	Yes	Yes	Yes	Yes	Yes	Yes
Yes	Yes	Yes				
Yes	Yes	Yes	Yes	Yes	Yes	Yes
2	2	2	3	4	5	6
Yes	Yes	Yes	Yes	Yes	Yes	Yes
1900	1900	1900				
1000	1000	1000				
1200	1200	1200				
2100	2100	2100				
3650	3650	3650	3500	3500	3500	3500
220-240 / 50	220-240 / 50	220-240 / 50	220-240 / 50-60	220-240 / 50-60	220-240 / 50-60	220-240 / 50-60
15	15	15	20	20	20	20
No	No	No	No	No	No	No
			-	-	-	-
1	1	1	1	1	1	1
			-	-	-	-
1	1	1	1	1	1	1
1	1	1	-	-	-	-
1	1	1	1	1	1	1
100%	100%	100%	60%	60%	60%	60%
1	1	1	-	-	-	-
No	No	No	No	No	No	No

Code	2115	2127	2119
EAN	8435025721159	8435025721272	8435025721197
Model	NorChef MO 4800 DB	NorChef MO 4800 CU	NorChef MO 4800 SW
Type	Multifunction	Multifunction	Multifunction
<b>Product card</b>			
Energy efficiency index (conventional/multifunction EEI)	92.3	92.3	92.3
Energy efficiency class	A	A	A
Energy consumption in conventional mode (according to Standard EN 50304:2009) [kWh]	0.69	0.69	0.69
Energy consumption in multifunction mode (according to Standard EN 50304:2009) [kWh]	0.67	0.67	0.67
Number of cavities	1	1	1
Cavity volume [l]	40	40	40
<b>Dimensions</b>			
Int. dimensions: height [mm]	455	455	455
Int. dimensions: width [mm]	595	595	595
Int. dimensions: depth [mm]	550	550	550
Int. dimensions: height [mm]	436	436	436
Int. dimensions: width [mm]	215	215	215
Int. dimensions: depth [mm]	410	410	410
<b>Characteristics</b>			
Finish	Black / chrome	Black / copper	White / chrome
Soft-close door	No	No	No
Levels for trays	4	4	4
Fan	Yes	Yes	Yes
Number of lamps	1	1	1
<b>Controls</b>			
Control type	Touch	Touch	Touch
Screen technology	White LCD	White LCD	White LCD
Operation indicator	Yes	Yes	Yes
Thermostat indicator	Yes	Yes	Yes
Minimum temperature [°C]	50	50	50
Maximum temperature turboheat [°C]	225	225	225
Minimum temperature steam [°C]	No	No	No
Maximum temperature steam [°C]	No	No	No
<b>Cleaning</b>			
Enamel	Easy-clean Nclean enamel	Easy-clean Nclean enamel	Easy-clean Nclean enamel
Type of cavity / lateral guides	Chrome, removable	Chrome, removable	Chrome, removable
Door glass interior	Removable	Removable	Removable
Safety lock	Nchild	Nchild	Nchild
Internal light	Yes	Yes	Yes
Fast preheat	Yes	Yes	Yes
<b>Safety</b>			
Safety thermostat	Yes	Yes	Yes
Number of glass panels in door	2	2	2
Cooling fan	Yes	Yes	Yes
<b>Electrical connection</b>			
Grill power [W]	1400	1400	1400
Microwave power [W]			
Upper resistor power [W]			
Lower resistor power [W]	1050	1050	1050
Rear resistor power [W]	1600	1600	1600
Total mains power [W]	3280	3280	3280
Nominal voltage [V] / Mains frequency [Hz]	220-240 / 50	220-240 / 50	220-240 / 50
Oven light power [W]	15	15	15
Plug	No	No	No
<b>Accessories</b>			
Flat tray			
Deep tray	1	1	1
Perforated tray			
Rack	1	1	1
Internal grill	1	1	1
Telescopic runners	1	1	1
Telescopic guides	75%	75%	75%
Tray handle	1	1	1
Water tank [l]	No	No	No



2140	2155	2133	2146	2116	2120	2125	4152
8422248348362	8422248348447	8422248348188	8422248348287	8435025721166	8435025721203	8435025721258	8422248348379
NorChef SO 4600 MB	NorChef SO 4600 SS	NorChef SO 4600 DB	NorChef SO 4600 SW	NorChef SO 4800 DB	NorChef SO 4800 SW	NorChef SO 4800 CU	NorChef MW 4600 MB
Steam	Steam	Steam	Steam	Steam	Steam	Steam	Microwave ovens
				67.8	67.8	67.8	
A++	A++	A++	A++	A+	A+	A+	
				0.59	0.59	0.59	
				0.48	0.48	0.48	
1				1	1	1	
34	34	34	34	36	36	36	34
453	453	453	453	455	455	455	453
594	594	594	594	595	595	595	594
562	562	562	562	510	510	510	562
420	420	420	420	406	406	406	
420	420	420	420	215	215	215	
360	360	360	360	410	410	410	
Matte black / black	Black / stainless steel	Black / black	White / stainless steel	Black / chrome	White / chrome	Black / copper	Matte black / black
No	No	No	No	No	No	No	No
4	4	4	4	4	4	4	3
No	No	No	No	Yes	Yes	Yes	Yes
1	1	1	1	1	1	1	1
Mechanical	Mechanical	Mechanical	Mechanical	Touch	Touch	Touch	Mechanical
White LCD	White LCD	White LCD	White LCD	White LCD	White LCD	White LCD	White LCD
Yes	Yes	Yes	Yes	Yes	Yes	Yes	Yes
Yes	Yes	Yes	Yes	Yes	Yes	Yes	Yes
30	30	30	30	30	30	30	
230	230	230	230	225	225	225	230
40	40	40	40	40	40	40	No
100	100	100	100	100	100	100	No
No	No	No	No	No	No	No	No
Stainless steel	Stainless steel	Stainless steel	Stainless steel	Pressed stainless steel	Pressed stainless steel	Pressed stainless steel	Pressed stainless steel
				Removable	Removable	Removable	
				Nchild	Nchild	Nchild	
Yes	Yes	Yes	Yes	Yes	Yes	Yes	Yes
				Yes	Yes	Yes	
Yes	Yes	Yes	Yes	Yes	Yes	Yes	Yes
3	3	3	3	3	3	3	3
Yes	Yes	Yes	Yes	Yes	Yes	Yes	Yes
900	900	900	900	1400	1400	1400	1500
							900
				1600	1600	1600	
1200	1200	1200	1200	3050	3050	3050	3200
220-240 / 50-60	220-240 / 50-60	220-240 / 50-60	220-240 / 50-60	220-240 / 50	220-240 / 50	220-240 / 50	220-240 / 50
20	20	20	20	15	15	15	20
No	No	No	No	No	No	No	No
-	-	-	-				
-	-	-	-	1	1	1	
1	1	1	1	1	1	1	
1	1	1	1	1	1	1	1
1	1	1	1				1
-	-	-	-				
-	-	-	-				
-	-	-	-	-	-	-	
1l	1l	1l	1l	1.2l	1.2l	1.2l	

Code	4156	4150	4154	2117
EAN	8422248348454	8422248348218	8422248348294	8435025721173
Model	NorChef MW 4600 SS	NorChef MW 4600 DB	NorChef MW 4600 SW	NorChef MW 4800 DB
Type	Microwave ovens	Microwave ovens	Microwave ovens	Microwave ovens
<b>Product card</b>				
Energy efficiency index (conventional/multifunction EEI)				
Energy efficiency class				
Energy consumption in conventional mode (according to Standard EN 50304:2009) [kWh]				
Energy consumption in multifunction mode (according to Standard EN 50304:2009) [kWh]				
Number of cavities				
Cavity volume [l]	34	34	34	40
<b>Dimensions</b>				
Int. dimensions: height [mm]	453	453	453	455
Int. dimensions: width [mm]	594	594	594	595
Int. dimensions: depth [mm]	562	562	562	543
Int. dimensions: height [mm]				420
Int. dimensions: width [mm]				232
Int. dimensions: depth [mm]				408
<b>Characteristics</b>				
Finish	Black / stainless steel	Black / black	White / stainless steel	Black
Soft-close door	No	No	No	No
Levels for trays	3	3	3	3
Fan	Yes	Yes	Yes	Yes
Number of lamps	1	1	1	1
<b>Controls</b>				
Control type				Touch
Screen technology				White LCD
Operation indicator				Yes
Thermostat indicator				Yes
Minimum temperature [°C]				50
Maximum temperature turboheat [°C]				225
Minimum temperature steam [°C]				No
Maximum temperature steam [°C]				No
<b>Cleaning</b>				
Enamel	No	No	No	No
Type of cavity / lateral guides	Pressed stainless steel	Pressed stainless steel	Pressed stainless steel	Pressed stainless steel
Door glass interior				No
Safety lock				Nchild
Internal light	Yes	Yes	Yes	Yes
Fast preheat				No
<b>Safety</b>				
Safety thermostat	Yes	Yes	Yes	Yes
Number of glass panels in door	3	3	3	2
Cooling fan	Yes	Yes	Yes	Yes
<b>Electrical connection</b>				
Grill power [W]	1500	1500	1500	1400
Microwave power [W]	900	900	900	1000
Upper resistor power [W]				
Lower resistor power [W]				1050
Rear resistor power [W]				1600
Total mains power [W]	3200	3200	3200	2550
Nominal voltage [V] / Mains frequency [Hz]	220-240 / 50	220-240 / 50	220-240 / 50	220-240 / 50
Oven light power [W]	20	20	20	15
Plug	No	No	No	No
<b>Accessories</b>				
Flat tray				
Deep tray				1
Perforated tray				
Rack	1	1	1	1
Internal grill	1	1	1	-
Telescopic runners				
Telescopic guides				
Tray handle				-
Water tank [l]				No

2121	2126
8435025721210	8435025721265
NorChef MW 4800 SW	NorChef MW 4800 CU
Microwave ovens	Microwave ovens
40	40
455	455
595	595
543	543
420	420
232	232
408	408
White	Black
No	No
3	3
Yes	Yes
1	1
Touch	Touch
White LCD	White LCD
Yes	Yes
Yes	Yes
50	50
225	225
No	No
No	No
No	No
Pressed stainless steel	Pressed stainless steel
No	No
Nchild	Nchild
Yes	Yes
No	No
Yes	Yes
2	2
Yes	Yes
1400	1400
1000	1000
1050	1050
1600	1600
2550	2550
220-240 / 50	220-240 / 50
15	15
No	No
1	1
1	1
-	-
-	-
No	No

<b>Code</b>	4053	2130	4057
<b>EAN</b>	8435025740532	8422248343169	8435025740570
<b>Model</b>	NorChef MW 25 DG DB	NorChef MW 25 DG SS	NorChef MW 25 DG CU
Type (Built-in / free standing)	Built-in	Built-in	Built-in
<b>Dimensions</b>			
Int. dimensions: height [mm]	208	208	208
Int. dimensions: width [mm]	328	328	328
Int. dimensions: depth [mm]	369	369	369
Ext. dimensions: height [mm]	388	388	388
Ext. dimensions: width [mm]	595	595	595
Ext. dimensions: depth [mm]	380	380	380
<b>Characteristics</b>			
Finish	Black	Stainless steel	Black / copper
Door opening	Lateral with touch button	Lateral with touch button	Lateral with touch button
Volume [l]	25	25	25
Automatic menus	8	8	8
No. heat cooking programmes	5	5	5
No. grill cooking programmes	3	3	3
Noise level [dBA]	63	63	63
Timer programming	Yes	Yes	Yes
<b>Control</b>			
Screen technology	White electronic display	White electronic display	White electronic display
Electronic programmer	Yes	Yes	Yes
Manual programmer	No	No	No
Start / Stop button	Yes	Yes	Yes
Door open button	Push button	Push button	Push button
Time selector [min]	95	95	95
Power selector	Yes	Yes	Yes
Functions and temperature selector	Functions dial	Functions dial	Functions dial
Operation indicator	LED display	LED display	LED display
Control type	Electronic	Electronic	Electronic
Weight selector	Yes	Yes	Yes
<b>Equipment</b>			
Internal light	Yes	Yes	Yes
Cavity type	Stainless steel	Stainless steel	Stainless steel
Door opening angle [degrees]	90	90	90
<b>Programmes</b>			
Grill	Yes	Yes	Yes
Grill + Microwave	Yes	Yes	Yes
Defrost, heat and cook by food type	Yes	Yes	Yes
Memory	No	No	No
Quick start	Yes	Yes	Yes
<b>Safety</b>			
Safety thermostat	Yes	Yes	Yes
Automatic safety disconnection	Yes	Yes	Yes
Function lock	Yes	Yes	Yes
Door temperature	65	65	65
No. glass panels in door	1	1	1
<b>Connection</b>			
Grill power [kW]	1	1	1
Microwave power [W]	900	900	900
Maximum power [kW]	1.45	1.45	1.45
Voltage / Frequency [V~Hz]	230 / 50	230 / 50	230 / 50
Plug	Schuko	Schuko	Schuko
<b>Accessories</b>			
Removable turntable	Yes	Yes	Yes
Glass turntable diameter [mm]	315	315	315
Inset installation trim	Built-in	Built-in	Built-in
Ventilation kit	No	No	No



## PLATE WARMERS

Code	2141	2150	2134	2147	2122	2123
EAN	8422248348393	8422248348478	8422248348225	8422248348317	8435025721227	8435025721234
Model	NorChef WP 1501 MB	NorChef WP 1501 SS	NorChef WP 1501 DB	NorChef WP 1501 SW	NorChef WP 1500 DB	NorChef WP 1500 SW
Type	Plate warmer	Plate warmer	Plate warmer	Plate warmer	Plate warmer	Plate warmer
<b>Dimensions</b>						
Ext. dimensions: height [mm]	140	140	140	140	140	140
Ext. dimensions: width [mm]	594	594	594	594	594	594
Ext. dimensions: depth [mm]	545	545	545	545	545	545
<b>Characteristics</b>						
Finish	Matte black / black	Black / stainless steel	Black / black	White / stainless steel	Black	White
Control type	On/Off button	On/Off button	On/Off button	On/Off button	On/Off button	On/Off button
Thermostat	Yes	Yes	Yes	Yes	Yes	Yes
Ventilation						
On indicator	Yes	Yes	Yes	Yes	Yes	Yes
Maximum temperature	70	70	70	70	70	70
Low-temperature cooking	Yes	Yes	Yes	Yes	Yes	Yes
Yeast riser	Yes	Yes	Yes	Yes	Yes	Yes
Plate warmer	Yes	Yes	Yes	Yes	Yes	Yes
Keep hot	Yes	Yes	Yes	Yes	Yes	Yes
Useful volume [litres]					20	20
Cavity height					120	120
Cold door	Yes	Yes	Yes	Yes	Yes	Yes
Tempered glass	Yes	Yes	Yes	Yes	Yes	Yes
<b>Connection</b>						
Maximum power [W]	400	400	400	400	380-460	380-460
Voltage / Frequency [V~Hz]	220-240 V / 50-60 Hz	220-240 V / 50-60 Hz	220-240 V / 50-60 Hz	220-240 V / 50-60 Hz	220-240 V / 50-60 Hz	220-240 V / 50-60 Hz
Plug	No	No	No	No	No	No

## VACUUM SEALER

Code	2143	2152	2136	2149
EAN	8422248348416	8422248348492	8422248348256	8422248348331
Model	NorChef DP 1501 MB	NorChef DP 1501 SS	NorChef DP 1501 DB	NorChef DP 1501 SW
Type	Storage drawer	Storage drawer	Storage drawer	Storage drawer
<b>Dimensions</b>				
Ext. dimensions: height [mm]	140	140	140	140
Ext. dimensions: width [mm]	594	594	594	594
Ext. dimensions: depth [mm]	545	545	545	545
<b>Characteristics</b>				
Finish	Matte black / black	Black / stainless steel	Black / black	White / stainless steel
Control type	-	-	-	-
Thermostat	-	-	-	-
Ventilation	-	-	-	-
On indicator	-	-	-	-
Maximum temperature	-	-	-	-
Low-temperature cooking	-	-	-	-
Yeast riser	-	-	-	-
Plate warmer	-	-	-	-
Keep hot	-	-	-	-
Useful volume [litres]	-	-	-	-
Cavity height	-	-	-	-
Cold door	-	-	-	-
Tempered glass	-	-	-	-
<b>Connection</b>				
Maximum power [W]	-	-	-	-
Voltage / Frequency [V~Hz]	-	-	-	-
Plug	-	-	-	-

## VACUUM SEALER

2142	2151	2135	2148
8422248348409	8422248348485	8422248348249	8422248348324
NorChef VS 1501 MB	NorChef VS 1501 SS	NorChef VS 1501 DB	NorChef VS 1501 SW
Vacuum sealer	Vacuum sealer	Vacuum sealer	Vacuum sealer
140	140	140	140
594	594	594	594
545	545	545	545
Matte black / black	Black / stainless steel	Black / black	White / stainless steel
Touch	Touch	Touch	Touch
-	-	-	-
-	-	-	-
-	-	-	-
-	-	-	-
-	-	-	-
-	-	-	-
-	-	-	-
-	-	-	-
-	-	-	-
Yes	Yes	Yes	Yes
Yes	Yes	Yes	Yes
240	240	240	240
220-240 V / 50-60 Hz	220-240 V / 50-60 Hz	220-240 V / 50-60 Hz	220-240 V / 50-60 Hz
Yes	Yes	Yes	Yes

## EXTRACTOR HOODS

Code	8525	8526	8527	8362
<b>EAN</b>	8435025785250	8435025785267	8435025785274	8435025783621
<b>Model</b>	DEIMOS 1400 TWIN RF	DEIMOS X 1200 RF/A	DEIMOS 1000 RF	SLIMOS 900 /A
Type	Ceiling	Ceiling	Ceiling	Ceiling
<b>Product card according to directives EU65/2014 - EN61591, EN60704-2-13, EN50564</b>				
AEC (annual energy consumption) (kWh/year)	44	26.9	26.9	35.2
EEl class (energy efficiency index class)	A+	A+	A+	A
FDE (fluid dynamic efficiency)	39.3	37.5	37.5	31.3
FDE class (fluid dynamic rating)	A	A	A	A
LE (lighting efficiency) (lux/W)	16.7	34	34	30
LE class (lighting efficiency class)	D	B	B	A
GFE (grease filtering efficiency)	58.6	62.7	62.7	91.2
GFE class (grease filtering efficiency class)	E	E	E	B
Air flow at minimum speed (m <sup>3</sup> /h)	400	245	245	221.3
Air flow at maximum speed (m <sup>3</sup> /h)	645	509.4	509.4	565
Air flow at intensive speed (TURBO) (m <sup>3</sup> /h)	1100 / 1600	765.3	765.3	662
Sound power at minimum speed (dB)	47	46	46	42
Sound power at maximum speed (dB)	66	63	63	63
Sound power at intensive speed (TURBO) (dB)	75 / 77	67	67	67
Po (electricity consumption in off mode) (W)	0.46	0.46	0.46	0.46
Ps (electricity consumption in standby mode) (W)	-	-	-	-
<b>Integration Directive according to EU 66/2014</b>				
f (increase factor over time)	0.6	0.7	0.7	0.9
EEl (energy efficiency index)	39.8	42.8	42.8	53.2
QBEP (air flow at best efficiency point) (m <sup>3</sup> /h)	738.8	346.6	346.6	288.9
PBEP (difference in static pressure at best efficiency point) (Pa)	308	298	298	314
WBEP (input electrical power at best efficiency point) (W)	161	76.6	76.6	80.5
WL (nominal electricity consumption of the cooking surface's lighting system) (W)	12	10	10	12
EMIDDLE (average illuminance of the cooking surface's lighting system) (lux)	200	340	340	360
<b>External dimensions</b>				
Width (mm)	1400	1200	1000	900
Depth (mm)	700	600	600	500
Maximum total height (mm)	500	500	500	-
Minimum total height (mm)	285	285	285	155
Outlet diameter (mm)	2 x 150	150	150	220X90
<b>Characteristics</b>				
Motor	BT4DC	BT4DC	BT4DC	BT4DC
Extraction levels	4+1+1	5+1	5+1	5+1
Maximum motor consumption (W)	2 x 135	135	135	135
Maximum pressure (Pa)	310	357	357	357
Turbo pressure (Pa)	357 / 365	365	365	365
Control type	TCD6i + Remote control	TCD6i + Remote control	TCD6i + Remote control	TCD6i
Automatic disconnection	√	√	√	√
Filter saturation electronic indicator	√	√	√	√
Filter type	Metal aluminium	Metal aluminium	Metal aluminium	Metal aluminium
Number of anti-grease filters	4	3	3	2
Armoured interior	-	-	-	-
<b>Lighting</b>				
Class of lamps	SSLED	SSLED	SSLED	SSLED
Lighting with adjustable intensity	√	√	√	√
No. lights	4	2	2	4
<b>Installation</b>				
Minimum distance to an electric hob (mm)	550	550	550	549
Minimum distance to a gas hob (mm)	700	700	700	660
Installation with air outlet to exterior / recirculation	√ / √	√ / √	√ / √	√ / √
Easy-install system	√	√	√	√
<b>Electrical connection</b>				
Total supply power (W)	282	145	145	147
Nominal voltage (V)	220-240	220-240	220-240	220-240
Mains frequency (Hz)	50/60	50/60	50/60	50/60
Electrical insulation	CLASS I	CLASS I	CLASS I	CLASS I
Plug	-	-	-	-
<b>Accessories</b>				
Upper tube extension	-	-	-	-
Island trim	-	-	-	-
Check valve	√	√	√	-
MAX PRO metal filter	-	-	-	-
Metal filter	02800930	02800905	02800905	02800930
DUAL filter (metal + active carbon)	02800922	02800918	02800918	02800922
Active carbon filters	2859318	2859318	2859318	-
Flexible tube silencer	2 x 02893002	02893002	02893002	-
Recirculating kit (kit with tubes + active carbon filters)	-	-	-	-
Aluminium decorative cover	-	-	-	-
Glass decorative cover	-	-	-	-

8568	8569	8350	8351	8564	8565	8346
8422248343695	8422248343688	8435025783508	8435025783515	8435025785649	8435025785656	8435025783461
BESTLA X 960 RF/A	BESTLA WH 960 RF/A	JANO X 960 RF/A	JANO WH 960 RF/A	CUBE GLASS ECO 60 BK/A	CUBE GLASS ECO 60 WH/A	ALIZE 80 DB
Ceiling	Ceiling	Ceiling	Ceiling	Decorative Island	Decorative Island	Decorative
43.9	43.9	26.2	26.2	24.5	24.5	48
A+	A+	A+	A+	A+	A+	A
36.7	36.7	35.2	35.2	37	37	31.5
A	A	A	A	A	A	A
26.3	26.3	26.3	26.3	18.7	18.7	46.7
B	B	B	B	C	C	A
58.6	58.6	58.6	58.6	78.1	78.1	78.9
E	E	E	E	C	C	C
300	300	266	266	278.6	278.6	215
640	640	535	535	572.8	572.8	485
800	800	570	570	760.9	760.9	610
47	47	50	50	52	52	54
62	62	65	65	64	64	64
64	64	67	67	70	70	64
0.46	0.46	0.32	0.32	0.46	0.46	0.49
-	-	-	-	-	-	-
0.7	0.7	0.7	0.7	0.7	0.7	0.9
42.3	42.3	40	40	39.6	39.6	51.5
393.7	393.7	288.9	288.9	316.9	316.9	360.9
519	519	375	375	330	330	430
154.7	154.7	85.3	85.3	78.6	78.6	137.8
6	6	6	6	6	6	3.8
166	166	166	166	112	112	175
960	960	960	960	600	600	800
665	665	665	665	480	480	235
210	210	170	170	1140	1140	1270
210	210	170	170	815	815	920
180X90	180X90	220X90	220X90	150/125	150/125	150
EBM 225	EBM 225	S6	S6	BTD4DC	BTD4DC	M230
5+1	5+1	5+1	5+1	5+1	5+1	3+1
170	170	90	90	135	135	230
		640	640	357	357	490
		670	670	365	365	512
TCD6i + Remote control	TCD6i + Remote control	TCD6i + Remote control	TCD6i + Remote control	TCD6i	TCD6i	TCD6i
√	√	√	√	√	√	√
√	√	√	√	√	√	√
Metal aluminium	Metal aluminium	Metal aluminium	Metal aluminium	Decorative premium stainless steel	Decorative premium stainless steel	Metal aluminium
2	2	2	2	2	2	1
-	-	-	-	-	-	-
SSLED	SSLED	SSLED	SSLED	SSLED	SSLED	Ambient + SSLED
√	√	√	√	√	√	√
2	2	2	2	2	2	1
550	550	550	550	650	650	500
660	660	660	660	650	650	
√ / √	√ / √	√ / √	√ / √	√ / √	√ / √	√ / √
√	√	√	√	√	√	√
176	176	96	96	141	141	234
220-240	220-240	220-240	220-240	220-240	220-240	220-240
50	50	50	50	50	50	50-60
CLASS I	CLASS I	CLASS I	CLASS I	CLASS I	CLASS I	
-	-	-	-	-	-	SCHUKO
-	-	-	-	-	-	
-	-	-	-	-	-	
-	-	-	-	02832004	02832004	
-	-	-	-	02800917	02800917	
02800920	02800920	02800920	02800920	02800210	02800210	
02800922	02800922	02800922	02800922	02800918	02800918	
-	-	-	-	02859392	02859392	
-	-	-	-	02893002	02893002	02800020
-	-	-	-	-	-	
-	-	-	-	-	-	
-	-	-	-	-	-	



## EXTRACTOR HOODS

Code	8347	8532	8533	8513
<b>EAN</b>	8435025783478	8435025785328	8435025785335	8435025785137
<b>Model</b>	ALIZE 80 SW	CUBE GLASS ECO 90 BK	CUBE GLASS ECO 90 WH	CIRCUM 90 DB NMOTION
Type	Decorative	Decorative	Decorative	Decorative vertical
<b>Product card according to dir. EU65/2014 - EN61591, EN60704-2-13, EN50564</b>				
AEC (annual energy consumption) (kWh/year)	48	53.6	53.6	23.4
EEl class (energy efficiency index class)	A	A	A	A++
FDE (fluid dynamic efficiency)	31.5	30.6	30.6	39.3
FDE class (fluid dynamic rating)	A	A	A	A
LE (lighting efficiency) (lux/W)	46.7	41.2	41.2	9.2
LE class (lighting efficiency class)	A	A	A	E
GFE (grease filtering efficiency)	78.9	91.2	91.2	58.6
GFE class (grease filtering efficiency class)	C	B	B	E
Air flow at minimum speed (m³/h)	215	340	340	270.8
Air flow at maximum speed (m³/h)	485	600	600	608.5
Air flow at intensive speed (TURBO) (m³/h)	610	850	850	851.6
Sound power at minimum speed (dB)	54	50	50	46
Sound power at maximum speed (dB)	64	65	65	65
Sound power at intensive speed (TURBO) (dB)	64	67	67	70
Po (electricity consumption in off mode) (W)	0.49	0.32	0.32	0.46
Ps (electricity consumption in standby mode) (W)	-	-	-	-
<b>Integration Directive according to EU 66/2014</b>				
f (increase factor over time)	0.9	0.9	0.9	0.6
EEl (energy efficiency index)	51.5	52.1	52.1	36.5
QBEP (air flow at best efficiency point) (m³/h)	360.9	416.9	416.9	369.4
PBEP (difference in static pressure at best efficiency point) (Pa)	430	411	411	308
WBEP (input electrical power at best efficiency point) (W)	137.8	155.7	155.7	80.5
WL (nominal electricity consumption of the cooking surface's lighting system) (W)	3.8	3.5	3.5	8
EMIDDLE (average illuminance of the cooking surface's lighting system) (lux)	175	144.2	144.2	74
<b>External dimensions</b>				
Width (mm)	800	900	900	898
Depth (mm)	235	420	420	380
Maximum total height (mm)	1270	1000	1000	1130
Minimum total height (mm)	920	650	650	900
Outlet diameter (mm)	150	150/125	150/125	150
<b>Characteristics</b>				
Motor	M230	BT3	BT3	BT4DC
Extraction levels	3+1	3+1	3+1	5+1
Maximum motor consumption (W)	230	280	280	135
Maximum pressure (Pa)	490	450	450	357
Turbo pressure (Pa)	512	470	470	365
Control type	TC3i	TC4i	TC4i	TCMD6i
Automatic disconnection	√	√	√	√
Filter saturation electronic indicator	√	√	√	√
Filter type	Metal aluminium	Decorative stainless steel	Decorative stainless steel	Metal aluminium
Number of anti-grease filters	1	3	3	1+1
Armoured interior	-	-	-	-
<b>Lighting</b>				
Class of lamps	Ambient + SSLED	Eco LED Strip	Eco LED Strip	Ambient + SSLED
Lighting with adjustable intensity	√	√	√	√
No. lights	1	1	1	1+1
<b>Installation</b>				
Minimum distance to an electric hob (mm)	500	650	650	550
Minimum distance to a gas hob (mm)		650	650	650
Installation with air outlet to exterior / recirculation	√ / √	√ / √	√ / √	√ / √
Easy-install system	√	√	√	√
<b>Electrical connection</b>				
Total supply power (W)	234	285	285	149
Nominal voltage (V)	220-240	220-240	220-240	220-240
Mains frequency (Hz)	50-60	50	50	50/60
Electrical insulation		CLASS II	CLASS II	CLASS I
Plug	SCHUKO	EU	EU	-
<b>Accessories</b>				
Upper tube extension		-	-	-
Island trim		-	-	-
Check valve		02832004	02832004	02832008
MAX PRO metal filter		02800917	02800917	-
Metal filter		02800206	02800206	02800954 / 02800949
DUAL filter (metal + active carbon)		02800918	02800918	-
Active carbon filters	02800020	02859392	02859392	2859318
Flexible tube silencer		02893002	02893002	02893002
Recirculating kit (kit with tubes + active carbon filters)		-	-	-
Aluminium decorative cover		-	-	-
Glass decorative cover		-	-	-

8516	8519	8604	8594	8549	8518	8536
8435025785168	8435025785199	8435025786042	8435025785946	8435025785496	8435025785182	8435025785366
MISTRAL 90 DB/A	MISTRAL 90 SW/A	MISTRAL 70 DB/A	MISTRAL 70 SW/A	SLIM 110 BK/A	SLIM 90 CU/A	SLIM 90 BK/A
Decorative vertical	Decorative vertical	Decorative vertical	Decorative vertical	Decorative horizontal	Decorative horizontal	Decorative horizontal
22.4	22.4	22.4	22.4	21.3	21.3	21.3
A++	A++	A++	A++	A++	A++	A++
36.7	36.7	36.7	36.7	39.3	39.3	39.3
A	A	A	A	A	A	A
23.4	23.4	23.4	23.4	14.8	14.8	14.8
B	B	B	B	D	D	D
75.5	75.5	75.5	75.5	58.6	58.6	58.6
C	C	C	C	E	E	E
255.3	255.3	255.3	255.3	270.8	270.8	270.8
585.4	585.4	585.4	585.4	608.5	608.5	608.5
800	800	800	800	851.6	851.6	851.6
46	46	46	46	46	46	46
64	64	64	64	65	65	65
69	69	69	69	70	70	70
0.49	0.49	0.49	0.49	0.46	0.46	0.46
-	-	-	-	-	-	-
0.7	0.7	0.7	0.7	0.6	0.6	0.6
35.3	35.3	35.3	35.3	34.2	34.2	34.2
398.7	398.7	398.7	398.7	369.4	369.4	369.4
290	290	290	290	308	308	308
87.6	87.6	87.6	87.6	80.5	80.5	80.5
5	5	5	5	5	5	5
117	117	117	117	74	74	74
895	895	695	695	1100	900	900
403	403	403	403	480	480	480
1196	1196	1196	1196	1030	1030	1030
856	856	856	856	632	632	632
150	150	150	150	150	150	150
BT4DC	BT4DC	BT4DC	BT4DC	BT4DC	BT4DC	BT4DC
5+1	5+1	5+1	5+1	5+1	5+1	5+1
135	135	135	135	135	135	135
357	357	357	357	357	357	357
345	345	345	345	365	365	365
TCD6i	TCD6i	TCD6i	TCD6i	TCD6i	TCD6i	TCD6i
√	√	√	√	√	√	√
√	√	√	√	√	√	√
Metal aluminium	Metal aluminium	Metal aluminium	Metal aluminium	Decorative premium stainless steel	Decorative premium stainless steel	Decorative premium stainless steel
3	3	2	2	4	3	3
-	-	-	-	√	√	√
SSLED	SSLED	SSLED	SSLED	SSLED	SSLED	SSLED
√	√	√	√	√	√	√
1	1	1	1	1	1	1
400	400	400	400	650	650	650
650	650	650	650	650	650	650
√ / √	√ / √	√ / √	√ / √	√ / √	√ / √	√ / √
√	√	√	√	√	√	√
140	140	141	142	140	140	140
220-240	220-240	220-241	220-242	220-240	220-240	220-240
50/60	50/60	50/60	50/60	50/60	50/60	50/60
CLASS I	CLASS I	CLASS I	CLASS I	CLASS I	CLASS I	CLASS I
-	-	-	-	-	-	-
-	-	-	-	02861300	-	02861300
-	-	-	-	-	-	-
02832008	02832008	02832009	02832010	02832008	02832008	02832008
-	-	02832008	02832008	-	-	-
02811002	02811002	02811002	02811002	02800205	02800204	02800204
-	-	-	-	-	02800922	02800922
02859317	02859317	02859317	02859317	02859318	02859318	02859318
02893002	02893002	02893003	02893004	02893002	02893002	02893002
-	-	02893002	02893002	-	-	-
-	-	-	-	-	-	-
-	-	-	-	-	-	-

## EXTRACTOR HOODS

Code	8537	8520	8563	8540	8550
EAN	8435025785373	8435025785205	8435025785632	8435025785403	8435025785502
Model	SLIM 90 WH/A	SLIM 70 BK/A	SLIM 70 WH/A	GRECAL 90 WH NMOTION/A	GRECAL 60 WH NMOTION/A
Type	Decorative horizontal	Decorative horizontal	Decorative horizontal	Integrated	Integrated
<b>Product card according to dir. EU65/2014 - EN61591, EN60704-2-13, EN50564</b>					
AEC (annual energy consumption) (kWh/year)	21.3	19.8	19.8	24.7	21.8
EEL class (energy efficiency index class)	A++	A++	A++	A+	A++
FDE (fluid dynamic efficiency)	39.3	39.3	39.3	37.5	37.5
FDE class (fluid dynamic rating)	A	A	A	A	A
LE (lighting efficiency) (lux/W)	14.8	22.3	22.3	23.7	22.3
LE class (lighting efficiency class)	D	B	B	B	B
GFE (grease filtering efficiency)	58.6	58.6	58.6	62.7	62.7
GFE class (grease filtering efficiency class)	E	E	E	E	E
Air flow at minimum speed (m³/h)	270.8	270.8	270.8	245	245
Air flow at maximum speed (m³/h)	608.5	608.5	608.5	536.6	536.6
Air flow at intensive speed (TURBO) (m³/h)	851.6	851.6	851.6	765.3	765.3
Sound power at minimum speed (dB)	46	46	46	46	46
Sound power at maximum speed (dB)	65	65	65	63	63
Sound power at intensive speed (TURBO) (dB)	70	70	70	67	67
Po (electricity consumption in off mode) (W)	0.46	0.46	0.46	0.49	0.49
Ps (electricity consumption in standby mode) (W)	-	-	-	-	-
<b>Integration Directive according to EU 66/2014</b>					
f (increase factor over time)	0.6	0.6	0.6	0.7	0.7
EEL (energy efficiency index)	34.2	32.4	32.4	40.3	36.9
QBEP (air flow at best efficiency point) (m³/h)	369.4	369.4	369.4	346.6	346.6
PBEP (difference in static pressure at best efficiency point) (Pa)	308	308	308	298	298
WBEP (input electrical power at best efficiency point) (W)	80.5	80.5	80.5	76.6	76.6
WL (nominal electricity consumption of the cooking surface's lighting system) (W)	5	3	3	7	3
EMIDDLE (average illuminance of the cooking surface's lighting system) (lux)	74	67	67	166	67
<b>External dimensions</b>					
Width (mm)	900	700	700	900	600
Depth (mm)	480	480	480	310-350	310-350
Maximum total height (mm)	1030	1030	1030	332	332
Minimum total height (mm)	632	632	632	332	332
Outlet diameter (mm)	150	150	150	150	150
<b>Characteristics</b>					
Motor	BT4DC	BT4DC	BT4DC	BT4DC	BT4DC
Extraction levels	5+1	5+1	5+1	5+1	5+1
Maximum motor consumption (W)	135	135	135	135	135
Maximum pressure (Pa)	357	357	357	357	357
Turbo pressure (Pa)	365	365	365	365	365
Control type	TCD6i	TCD6i	TCD6i	TCMD6i	TCMD6i
Automatic disconnection	√	√	√	√	√
Filter saturation electronic indicator	√	√	√	√	√
Filter type	Decorative premium stainless steel	Decorative premium stainless steel	Decorative premium stainless steel	Metal aluminium	Metal aluminium
Number of anti-grease filters	3	2	2	3	2
Armoured interior	√	√	√	-	-
<b>Lighting</b>					
Class of lamps	SSLED	SSLED	SSLED	SSLED	SSLED
Lighting with adjustable intensity	√	√	√	√	√
No. lights	1	1	1	1	1
<b>Installation</b>					
Minimum distance to an electric hob (mm)	650	650	650	550	550
Minimum distance to a gas hob (mm)	650	650	650	650	650
Installation with air outlet to exterior / recirculation	√ / √	√ / √	√ / √	√ / √	√ / √
Easy-install system	√	√	√	√	√
<b>Electrical connection</b>					
Total supply power (W)	140	138	138	146	144
Nominal voltage (V)	220-240	220-240	220-240	220-240	220-240
Mains frequency (Hz)	50/60	50/60	50/60	50/60	50/60
Electrical insulation	CLASS I	CLASS I	CLASS I	CLASS I	CLASS I
Plug	-	-	-	-	-
<b>Accessories</b>					
Upper tube extension	02861300	02861300	02861300	-	-
Island trim	-	-	-	-	-
Check valve	02832008	02832008	02832008	02832008	02832008
MAX PRO metal filter	-	-	-	-	-
Metal filter	02800204	02800204	02800204	02811000	02811000
DUAL filter (metal + active carbon)	02800922	02800922	02800922	02811003	02811003
Active carbon filters	02859318	02859318	02859318	02859318	02859318
Flexible tube silencer	02893002	02893002	02893002	02893002	02893002
Recirculating kit (kit with tubes + active carbon filters)	-	-	-	-	-
Aluminium decorative cover	-	-	-	-	-
Glass decorative cover	-	-	-	-	-

4231	4230	4229	4228	8353	8354	8355	8356	8551	8552
8422248370790	8435025742307	8435025742291	8435025742284	8435025783539	8435025783546	8435025783553	8435025783560	8435025785519	8435025785526
NorBreeze CROWN 120 NO DRIP SS	NorBreeze CROWN 90 NO DRIP SS	NorBreeze CROWN 80 NO DRIP SS	NorBreeze CROWN 60 NO DRIP SS	BISE 900 SS	BISE 600 SS	CUDO 850 SS	CUDO 520 SS	ECLIPSE 90 BK	ECLIPSE 60 BK
Integrada	Integrada	Integrada	Integrada	Integrated	Integrated	Integrated	Integrated	Filter group	Filter group
24,3	24,3	24,3	24,3	42.9	40.4	37.7	44	56.1	55
A+	A+	A+	A+	A	A	A+	A	A	A
38.5	38.6	38.7	38.8	34.5	32.3	35.1	31.9	30.2	30.2
A	A	A	A	A	A	A	A	A	A
21	21	21	21	28.7	31.6	28.7	32	26	31
B	B	B	B	A	A	A	A	B	A
69,5	69,5	69,5	69,5	91.8	97.1	97.8	97.1	91.2	91.2
D	D	D	D	B	A	A	A	B	B
186	186	186	186	265	240	240	235	340	340
581,4	581,4	581,4	581,4	610	605	425	433	600	600
799,2	799,2	799,2	799,2	735	690	725	655	750	750
46	46	46	46	44	45	60	59	50	50
64	64	64	64	63	62	63	65	65	65
69	69	69	69	71	70	69	70	67	67
0,4	0,4	0,4	0,4	0.49	0.49	0.49	0.49	0.3	0.3
-	-	-	-	-	-	-	-	-	-
0,6	0,6	0,6	0,6	0.8	0.8	0.7	0.9	0.9	0.9
37,6	37,6	37,6	37,6	47	45.8	41.7	50.9	53	53
341	341	341	341	346.5	320.5	356.4	315.3	429.4	429.4
329	329	329	329	474	467	463	457	405	405
80,9	80,9	80,9	80,9	132	128.8	130.5	125.5	159.8	159.8
9	9	9	9	6	3.8	6	3.8	5	3.5
187	187	187	187	172	120	172	120	130	109
1200	900	800	600	898	598	850	520	830	530
300-350	300-350	300-350	300-350	310-350	310-350	290	290	280	280
334	334	334	334	730	730	350	350	316	316
334	334	334	334	400	400	350	350	316	316
150	150	150	150	150	150	150	150	150	150
BT5 DC 800	BT5 DC 800	BT5 DC 800	BT5 DC 800	M275	M275	M270	M270	BT3	BT3
5+1	5+1	5+1	5+1	3+1	3+1	4	4	3+1	3+1
140	140	140	140	275	275	270	270	280	280
431,4	431,4	431,4	431,4	541	541	503	510	450	450
434,8	434,8	434,8	434,8	570	558	573	571	470	470
TCD6i air sense	TCD6i air sense	TCD6i air sense	TCD6i air sense	TC3i	TC3i	M3	M3	TC4i	TC4i
√	√	√	√	√	√	√	√	√	√
√	√	√	√	√	√	√	√	√	√
Decorative stain- less steel, 5 layers	Decorative stainless steel, 5 layers	Decorative stain- less steel, 5 layers	Decorative stainless steel, 5 layers	Professional	Professional	Professional	Professional	Metal aluminium	Metal aluminium
3	2	2	1	2	1	1	1	3	2
√	√	√	√	-	-	-	-	-	-
SSLED	SSLED	SSLED	SSLED	SSLED	SSLED	SSLED	SSLED	SSLED	SSLED
√	√	√	√	√	√	√	√	√	√
1	1	1	1	1	1	1	1	1	1
450	450	450	450	550	550	550	550	550	550
650	650	650	650	650	650	650	650	650	650
BOTH	BOTH	BOTH	BOTH	√ / √	√ / √	√ / √	√ / √	√ / √	√ / √
√	√	√	√	√	√	√	√	√	√
149	149	149	149	281	279	276	273	285	283.5
220-240	220-240	220-240	220-240	220-240	220-240	220-240	220-240	220-240	220-240
50-60	50-60	50-60	50-60	50/60	50/60	50/60	50/60	50	50
CLASE II	CLASE II	CLASE II	CLASE II	-	-	-	-	CLASS II	CLASS II
-	-	-	-	SCHUKO	SCHUKO	SCHUKO	SCHUKO	EU	EU
02861307 / ○	02861307 / ○	02861307 / ○	02861307 / ○	-	-	-	-	-	-
-	-	-	-	-	-	-	-	-	-
02832004 / ○	02832004 / ○	02832004 / ○	02832004 / ○	-	-	-	-	02832004	02832004
-	-	-	-	-	-	-	-	-	-
02800217 / ●	02800217 / ●	02800217 / ●	02800217 / ●	-	-	-	-	02800955	02800955
-	-	-	-	-	-	-	-	-	-
02859398 / ○	02859398 / ○	02859398 / ○	02859398 / ○	02800018	02800016	02800018	02800016	02859398	02859398
02893002 / ○	02893002 / ○	02893002 / ○	02893002 / ○	-	-	-	-	02893002	02893002
-	-	-	-	-	-	-	-	-	-
-	-	-	-	-	-	-	-	-	-
-	-	-	-	-	-	-	-	-	-



Code	4162	4161	4139	4103	4104	4146	4149
EAN	8435025741621	8435025741614	8435025741393	8435025741034	8435025741041	8435025741461	8422248350082
Model	NorCook IS N8426 BK	NorCook IS N7426 BK	NorCook IS N7220 BK	NorCook IH N9205 BK	NorCook IH N8205 BK	NorCook IH N9323 BK	NorCook IH N8106 BK/A
Type	Induction hob with integrated hood	Induction hob with integrated hood	Induction hob with surface suction	Induction	Induction	Induction	Induction
<b>Product card</b>							
Cooking areas	4	4	4	Total cooking surface	Total cooking surface	5	4
Front right area: Diameter (mm)	210x190	210x190	190x190	-	-	210x200	180
Front right area: Power (kW)	2	2	2	-	-	2	1.2
Front right area: Booster (kW)	3	3	2.8	-	-	2,8	1.5
Front right area: Consumption (Wh/kg)	182,7	182,7	206.8	-	-	182,7	179.5
Rear right area: Diameter (mm)	210x190	210x190	190x190	-	-	210x200	
Rear right area: Power (kW)	2	2	1.5	-	-	1,5	
Rear right area: Booster (kW)	2,6	2,6	2	-	-	2	
Rear right area: Consumption (Wh/kg)	182,7	182,7	181.5	-	-	182,9	
Front central area: Diameter (mm)	-	-	-	-	-	-	
Front central area: Power (kW)	-	-	-	-	-	-	
Front central area: Booster (kW)	-	-	-	-	-	-	
Front central area: Consumption (Wh/kg)	-	-	-	-	-	-	
Rear central area: Diameter (mm)	-	-	-	-	-	300	300
Rear central area: Power (kW)	-	-	-	-	-	2,3	2.3
Rear central area: Booster (kW)	-	-	-	-	-	3	3
Rear central area: Consumption (Wh/kg)	-	-	-	-	-	216,3	216.3
Front left area: Diameter (mm)	210x190	210x190	190x190	-	-	210x200	210x200
Front left area: Power (kW)	2	2	2	-	-	1,5	1.5
Front left area: Booster (kW)	3	3	2.8	-	-	2	2
Front left area: Consumption (Wh/kg)	182,7	182,7	194.2	-	-	182,9	182.9
Rear left area: Diameter (mm)	210x190	210x190	190x190	-	-	210x200	210x200
Rear left area: Power (kW)	2	2	1.5	-	-	2	2
Rear left area: Booster (kW)	2,6	2,6	2	-	-	2,8	2.8
Rear left area: Consumption (Wh/kg)	182,7	182,7	181.5	-	-	182,7	182.7
Hob energy consumption (Wh/kg)	190,4	190,4	194.2	190.7	191	189,5	190.4
<b>Dimensions</b>							
Appliance width (mm)	830	770	770	930	810	900	800
Appliance depth (mm)	520	520	520	520	520	520	520
Appliance height (mm)	170	170	250	55	55	60	60
Gap width (mm)	750	750	750	908	795	875	745
Gap depth (mm)	490	490	490	503	503	495	495
Ventilation groove (mm)	-	-	5	5	5	5	5
Fixing system	-	-	Quick-Fix System	Quick-Fix System	Quick-Fix System	Quick-Fix System	Quick-Fix System
<b>Finish</b>							
Colour	Black	Black	Black	Black	Black	Black	Black
Aesthetic	Rounded	Rounded	Front bevel	Front bevel	Front bevel	Front bevel	Front bevel
<b>Control</b>							
Control type	Hidden Slider	Hidden Slider	Touch	Hidden Multi Slider Touch	Hidden Multi Slider Touch	Multi Slider Touch	Hidden slider
Power selector (+/-)	Centralized	Centralized	Centralised	Individual per light	Individual per light	Individual per zone	Centralised
Power levels	9 + 2xBooster	9 + 2xBooster	9 + Booster	17 + 2xBooster	17 + 2xBooster	9 + Booster	9 + 2xBooster
Cooking time programming	Yes	Yes	Yes	Yes	Yes	Yes	Yes
Countdown timer	Yes	Yes	Yes	Yes	Yes	Yes	Yes
Function to limit power	Yes	Yes	No	No	No	No	Yes
<b>Safety</b>							
Safety lock	Yes	Yes	Yes	Yes	Yes	Yes	Yes
Residual heat indicator	Yes	Yes	Yes	Yes	Yes	Yes	Yes
Automatic cookware detection	Yes	Yes	Yes	Yes	Yes	Yes	Yes
Automatic safety disconnection	Yes	Yes	Yes	Yes	Yes	Yes	Yes
Protection against liquid spillage	Yes	Yes	Yes	Yes	Yes	Yes	Yes
<b>Electrical connection</b>							
Nominal voltage (V)	220-240	220-240	220-240	220-240	220-240	220-240	220-240
Mains frequency (Hz)	50-60	50-60	50-60	50-60	50-60	50-60	50-60
Maximum power of the appliance (kW)	7,2	7,2	7,3	11	11	9	7.2

4158	4132	4133	4131	4126	4110	4111	4112	4166	4160
8422248350129	8422248350099	8422248350105	8422248350112	8435025741263	8435025741102	8435025741119	8435025741126	8435025741669	8435025741601
NorCook IH N6406 BK	NorCook IH N6326 BK/A	NorCook IH N6286 BK/A	NorCook IH N6286 SW/A	NorCook IH N7003 BK	NorCook IH N3200 BK	NorCook IH N7703 BK	NorCook IH N7502 BK	NorCook VH N6400 BK	NorCook VH N3201 BK
Induction	Induction	Induction	Induction	Induction	Induction	Induction	Induction	Radiant	Radiant
4	3	3	3	3	2	3	2	4	2
210x190				220	210x200	-	-	180	-
2				2,3	1.6	-	-	1,8	-
3				3	1.85	-	-	-	-
182,7				183	182.9	-	-	191,3	-
210x190	320/185	280/180	280/180	-	210x200	270	220	140	-
2	3/1.5	3/1.5	3/1.5	-	2.1	2,3	2,3	1,2	-
2,6	3.6/1.8	3.6/1.8	3.6/1.8	-	3	3	3	-	-
182,7	175.4	175.4	175.4	-	182.7	187,2	176,3	194,1	-
	-			-	-	-	-	-	159
	-			-	-	-	-	-	1,2
	-			-	-	-	-	-	-
	-			-	-	-	-	-	190,5
	-			180	-	180	-	-	190/120
	-			1,4	-	1,4	-	-	2,0/1,0
	-			-	-	-	-	-	-
	-			181	-	184,9	-	-	181,3
210x190	210	210	210	180	-	220	-	140	-
2	2.3	2.3	2.3	1,4	-	2,3	-	1,2	-
3	2.6	2.6	2.6	-	-	3	-	-	-
182,7	186.6	186.6	186.6	181	-	176,3	-	187,7	-
210x190	160	160	160	-	-	-	270	180	-
2	1.2	1.2	1.2	-	-	-	2,3	1,8	-
2,6	1.5	1.5	1.5	-	-	-	3	-	-
194,8	194.8	194.8	194.8	-	-	-	187,2	183,4	-
	187.2	187.2	187.2	181,7	182.8	182,8	182,7	189,1	185,9
590	630	590	590	700	298	770	750	590	290
520	520	520	520	350	520	390	450	520	520
63	60	60	60	74	76	68	68	67	65
560	565	565	565	680	275	750	710	560	265
490	495	495	495	330	500	370	410	490	495
5	5	5	5	5	5	5	5	-	-
Quick-Fix System	Quick-Fix System	Quick-Fix System	Quick-Fix System	Quick-Fix System	Quick-Fix System	Quick-Fix System	Quick-Fix System	Quick-Fix System	Quick-Fix System
Black	Black	Black	White	Black	Black	Black	Black	Black	Black
Rounded	Front bevel	Front bevel	Front bevel	Front bevel	Front bevel	Front bevel	Front bevel	Rounded	Rounded
Hidden Slider	Hidden slider	Hidden slider	Hidden slider	Mono Slider Touch	Touch	Touch	Mono Slider Touch	Touch	Touch
Centralized	Centralised	Centralised	Centralised	Centralized	Centralised	Centralized	Centralized	Centralized	Centralized
9 + 2xBooster	9 + 2xBooster	9 + 2xBooster	9 + 2xBooster	9 + Booster	9 + Booster	9 + Booster	9 + Booster	9	9
Yes	Yes	Yes	Yes	Yes	Yes	Yes	Yes	Yes	Yes
Yes	Yes	Yes	Yes	Yes	Yes	Yes	Yes	Yes	Yes
Yes	Yes	Yes	Yes	No	No	No	No	No	No
Yes	Yes	Yes	Yes	Yes	Yes	Yes	Yes	Yes	Yes
Yes	Yes	Yes	Yes	Yes	Yes	Yes	Yes	Yes	Yes
Yes	Yes	Yes	Yes	Yes	Yes	Yes	Yes	No	No
Yes	Yes	Yes	Yes	Yes	Yes	Yes	Yes	Yes	Yes
Yes	Yes	Yes	Yes	Yes	Yes	Yes	Yes	Yes	Yes
220-240	220-240	220-240	220-240	220-240	220-240	220-240	220-240	220-240	220-240
50-60	50-60	50-60	50-60	50/60	50/60	50/60	50/60	50-60	50-60
7,2	7.1	7.1	7.1	5,8	3.7	6,7	6	6	3,2

Code	4168	4164	4167	4163
EAN	8435025741683	8422248360159	8435025741676	8422248360166
Model	NorCook GH 9050 GBK	NorCook GH 6032 GBK	NorCook GH 6040 GBK	NorCook GH N3012 GBK
Type (Glass/Stainless Steel/Enamel)	Glass	Glass	Glass	Glass
<b>Product card</b>				
Prepared for natural gas	Yes	Yes	Yes	Yes
Prepared for butane gas	No	No	No	No
No. burners	5	3	4	1
Triple Crown Power [kW]	3,5	3,5	3,5	3,5
Fast Power [kW]	2,5	-	2,5	-
Semi-Fast Power 1 [kW]	1,75	1,75	1,75	-
Semi-Fast Power 2 [kW]	-	-	-	-
Auxiliary Power [kW]	1	1	1	-
Triple Crown Consumption [L/h]	333	333	333	333
Fast Consumption [L/h]	286	-	286	-
Semi-Fast Consumption 1 [L/h]	166	166	166	-
Semi-Fast Consumption 2 [L/h]	-	-	-	-
Auxiliary Consumption [L/h]	95	95	95	-
Hob consumption [L/h]	1046	594	880	333
Burner energy efficiency (gas burner EE)				
Hob energy efficiency (gas hob EE)	>55	>55	>55	>55
<b>Dimensions</b>				
Appliance width [mm]	874	590	640	300
Appliance depth [mm]	520	520	510	520
Appliance height [mm]	55	70	55	100
Gap width [mm]	828	555	555	260
Gap depth [mm]	478	474	475	490
Fixing system	clips	clips	clips	clips
<b>Characteristics</b>				
Electrical switch-on built into control	Yes	Yes	Yes	Yes
Illuminated controls	No	No	No	No
Nselect flame regulation	No	No	No	No
Connectivity	No	Yes	No	No
Enamel burners / grills	No	No	No	No
Cast iron burners / grills	Yes	Yes	Yes	Yes
<b>Safety</b>				
Safety valve	Yes	Yes	Yes	Yes
<b>Electrical connection</b>				
Nominal voltage [V]	110-240	220-240	110-240	220-240
Mains frequency [Hz]	50-60	50-60	50-60	50-60
Power of the appliance [kW]	10,5	6,25	8,75	3,5
<b>Accessories</b>				
Natural-butane / butane-natural conversion kit (included)	Yes	Yes	Yes	Yes





Code	8592	8602	4214	4205	4213
EAN	8422248110822	8435025786028	8422248349857	8435025742055	8422248349741
Model	INFINITY 178 TNF SS	TWIN 189 TNF GDB	HAIL 201 NF GDB	HAIL 201 TNF INOX	TUNDRA TNF 177 BI SL /B
Finish	Stainless steel	Black	Black	Stainless steel	Built-in
<b>Product card according to EU Regulation 2019/2016</b>					
Category		7			
Energy efficiency class	E	E	E	C	E
Energy consumption [kWh/year]	330	306	247	177	137
Refrigerator useful volume [l]	379	347	238	256	280
Freezer useful volume **** [l]	213	169	98	122	-
Star rating	4	4	4	4	-
Frost-free refrigerator	Yes	Sí	Yes	Sí	Yes
Frost-free freezer	Yes	Sí	Yes	Sí	-
Autonomy [h]	12	14	10		-
Freezing capacity [kg/24h]		12	6	4	-
Climate class (2)	SN-N-ST-T	SN-N-ST-T	SN-N-ST-T	SN-N-ST-T	ST
Noise emission [dBA]	41	35	39	38	41
Installation type	Free standing	Free standing	Free standing	Free standing	Integrated
<b>Dimensions</b>					
Height [mm]	1775	1898	2004	2010	1776
Width [mm]	910	833	595	595	540
Depth [mm]	698	653	590	700	550
Direction of door opening	Left/Right	Left/Right	Right	Right	Right
Reversible doors	No	No	Yes	Yes	Yes
Wheels	Yes	Yes	Yes	Yes	-
External / built-in handle	External handle	Integrated	Integrated	External handle	-
<b>Control</b>					
Cold type	Norfröst	Norfröst	Norfröst	Norfröst	Norfröst
Control	Electronic	Electronic	Electronic	Electronic	Electronic
Display	Yes	Yes	Yes	Yes	Yes
Electronic regulation of refrigerator temperature	Yes	Yes	Yes	Yes	Nfreshzone
Electronic regulation of freezer temperature	Yes	Yes	Yes	Yes	
Super cooling - super freeze function	Nchilly/Nsubzero	- / Nsubzero	- / Nsubzero	Nchilly/Nsubzero	Nchilly/ -
Holiday function	Nsave	-	Nsave	Nsave	-
Summer-winter function	-	-	-	-	-
<b>Accessories in refrigerator</b>					
Number of door shelves	4	6	4	3	4
Number of glass shelves	3	3	3	2	4
Bottle rack	-	-	Yes	Yes	Yes
Drawer for fruit and vegetables	Ngreenbox	Ngreenbox	Ngreenbox	Ngreenbox	
Drawer for meat and fish		Nlifebox		Nlifebox	
Internal metal finishes		Yes		Yes	Yes
Number of egg holders - Egg capacity	1-8	2-6	2-6	2-6	1-6
<b>Accessories in freezer</b>					
Number of drawers - closed drawers	2	2	3	2	3
Ice cube holders - Ice capacity	1-12	1-12	1-12	1-12	
<b>Lighting</b>					
Lighting in refrigerator - freezer	Yes / Yes	Yes / -	Yes / -	Yes / -	Yes
LED lighting	Yes	Yes / -	Yes / -	Sí	Yes
<b>Electrical and water connection</b>					
Nominal voltage [V]	220-240	220-240	220-240	220-240	220-240
Frequency [Hz]	50	50	50	50	50
Nominal power [W]	218	250	150	170	
Nominal current [A]	1.9	1,9	0.6	1,1	0.8
Plug type	Schuko	Schuko	Schuko	Schuko	Schuko
Cable length [mm]		1900	2000	1750	

(1) According to results obtained in the standard 24-hour test set out in Standard EN 62552. Energy consumption depends on the appliance's conditions of use and its location. (2) Types of climate. SN: room temperature of +10°C up to +32°C. N: room temperature of +16°C up to +32°C. ST: room temperature of +16°C up to +38°C. T: room temperature of +16°C up to +43°C.

4212	4206	4210	4211	4209	4207	4208
8422248349734	8422248343176	8422248349703	8422248349727	8422248349697	8422248343954	8422248343961
ICE TNF 177 BI SL/B	HAIL 193 TNF BI 70	HAIL 193 TNF BI SL	HAIL 177 TNF BI SL /B	HAIL 82 BI SL	TUNDRA 82 BI	ICE 82 BI
Built-in	Built-in	Built-in	Built-in	Built-in	Built-in	Built-in
E	E	E	E	E	E	E
231	250	206	235	147	92	176
-	257	225	170	95	135	-
200	84	56	67	16	-	95
4	4	4	4	4	-	4
-	Yes	Yes	Yes	-	-	-
Yes	Yes	Yes	Yes	-	-	-
9	3.8	2.6	3.2	2.6	-	4,5
ST	ST	ST	ST	ST	ST	ST
41	41	41	41	40	40	40
Integrated	Integrated	Integrated	Integrated	Integrated	Integrated	Integrated
1776	1937	1937	1776	820	820	820
540	690	540	540	596	596	596
545	550	545	550	550	550	550
Right	Right	Right	Right	Right	Right	Right
Yes	Yes	Yes	Yes	Yes	Yes	Yes
-	-	-	-	-	-	-
-	-	-	-	-	-	-
Nor Frost	Nor Frost	Nor Frost	Nor Frost			
Electronic	Electronic	Electronic	Electronic	Electronic	Electronic	Electronic
Yes	Yes	Yes	Yes	-	-	-
-	Nfreshzone	Nfreshzone	Nfreshzone	Nfreshzone	Nfreshzone	
Yes	Yes	Yes	Nfreshzone	Nfreshzone		Nfreshzone
- / Nsubzero	Nchilly/Nsubzero	Nchilly/Nsubzero	Nchilly/Nsubzero	-	-	- / Nsubzero
-	Nsave	Nsave	Nsave	-	-	-
-						
	4	4	3	2	2	
	5	4	4	1	2	
		Yes	Yes			
	Ngreenbox	Ngreenbox	Ngreenbox	Ngreenbox	Ngreenbox	
	Nlifebox	Nlifebox	Nlifebox			
	Yes	Yes	Yes	Yes		Yes
	1-6	1-6	1-6	1-6	1-6	
7 / 7	4 / 0	3	3	1		3
	Yes / -	Yes / -	Yes / -	Yes / -	Yes / -	-
	Yes	Yes	Yes	Yes	Yes	-
220-240	220-240	220-240	220-240	220-240	220-240	220-240
50	50	50	50	50	50	50
0.8	0.8	0.8	0.8	0.8	0.8	0.8
Schuko	Schuko	Schuko	Schuko	Schuko	Schuko	Schuko

Code	8711	8709	8710
EAN	8422248110792	8435025787094	8435025787100
Model	DW 6145 I PRO	DW6141 I SL	DW4611 I SL
Finish	Integrated	Integrated	Integrated
<b>Product card according to EU Regulation 2019/ 2022 - 2019/2017</b>			
Model description	Norcare DW 6145 I PRO	NorCare DW6141 I SL	NorCare DW4611 I SL
Nominal capacity (ps)	16	14	10
Height (cm)	81.5	81.5	81.5
Width (cm)	59.8	59.8	44.8
Depth (cm)	55	55	55
Energy efficiency index	37.9	49.9	49.9
Energy efficiency class (1)	B	D	D
Cleaning performance index (IC)	1.13	1.13	1.13
Drying performance index (ID)	1.07	1.07	1.07
Energy consumption in kWh (per cycle) based on the ECO programme	0.67	0.849	0.674
Energy consumption in kWh (per 100 cycles) based on the ECO programme	67	84	67
Water consumption in litres (per cycle) based on the ECO programme	9.3	11	9
Duration of the ECO programme (tt) (h:min)	3:35	3:18	3:58
Type	Integrated	Integrated	Integrated
Noise emissions (dBA)	42	47	42
Noise emission class	B	D	B
Energy consumption in Off mode (Po) (W)	0.49	0.49	0.49
Energy consumption in Standby mode (Psm) (W)	-	-	-
Delay (W) (if applicable)	1	1	1
Waiting for mains (W) (if applicable)	-	-	-
<b>Product dimensions</b>			
Min/max height [mm]	815-865	815-865	815-865
Width [mm]	598	598	448
Depth [mm]	550	550	550
Adjustable feet	Yes	Yes	Yes
<b>Unit and door dimensions</b>			
Minimum gap height [mm]	820	820	820
Minimum gap width [mm]	450	600	450
Minimum gap depth [mm]	580	580	580
Max. door height (for integrated) [mm]	800	800	800
Sliding door		Nmove	Nmove
<b>Control panel</b>			
Display / LED	Yes	Yes	Yes
Restock salt indicator	Yes	Yes	Yes
Restock polish indicator	Yes	Yes	Yes
Time remaining indicator	Yes	Yes	Yes
Deferred programming [h]	1-24 h	1-24 h	1-24 h
<b>Programmes and functions</b>			
Number of programmes	9	7	7
Nhygiene [°C-min]	72°C, 225 min		
Nwhisper [°C-min]	60°C, 230 min		
Nquick&dry [°C-min]	60°C, 55 min		
Nself-cleaning [°C-min]	70°C, 115 min		
Nstorm [°C-min]		65°C / 205 min	65°C / 205 min
Ndaily [°C-min]		55°C / 175 min	55°C / 175 min
Nsave [°C-min] (2)	49°C, 215 min	45°C / 235 min	50°C / 198 min
Nquick [°C-min]	60°C / 90 min	55°C / 90 min	55°C / 90 min
Ncare [°C-min]		50°C / 120 min	50°C / 120 min
Nquick+ [°C-min]	55°C / 35 min	40°C / 30 min	40°C / 30 min
Nfresh [min]	14 min	15 min	-
Nclean [°C-min]	55-65°C, 102-175 min		55-65°C, 85-150 min
Start/stop function	Yes	Yes	Yes
Half-load function	Nby2	Nby2	Nby2
Extra drying function	Yes		Yes
<b>Accessories</b>			
Third full tray	Yes	Yes	-
Height adjustable top tray	Npush	Npush	Npush
Top tray with foldable mug supports	Yes	Yes	Yes
Top/bottom tray with foldable rods	Yes	Yes	Yes
Type of detergent dispenser	Nslider	Nslider	Nslider
<b>Other characteristics</b>			
Motor	BLDC Inverter	Standard	Standard
Automatic door opening	Yes	Yes	
Suitable for all-in-one detergent	Yes	Yes	Yes
Type of interior	Stainless steel	Stainless steel	Stainless steel
<b>Safety</b>			
Child safety	-	-	-
Overflow protection	N3protect	N3protect	N3protect
Overheating protection	N3protect	N3protect	N3protect
<b>Electrical and water connection</b>			
Nominal voltage [V]	220-240	220-240	220-240
Mains frequency [Hz]	50	50	50
Nominal power [W]	1828-2158	1760-2100	1760-2100
Nominal current [A]		8-8.75	8-8.75
Plug type	Schuko	Schuko	Schuko
Cable length [mm]		1500	1500
Water inlet pipe length [mm]	1500	1500	1500
Drainage pipe length [mm]	1750	1400	1400

(1) Classes range from A (most efficient) to G (least efficient).  
 (2) This programme is suitable for washing dishes with a normal level of dirtiness and is the most efficient in terms of energy and water consumption combined.

Code	4198	4199
EAN	8435025741980	8,43503E+12
Model	WD1480 I	WM1480 I
Finish	Integrated	Integrated
<b>Product card according to EU Regulation 2019/2023</b>		
Model description	NorCare WD1480 I	NorCare WM1480 I
Nominal capacity (kg)	8-6	9
Height (cm)	83	83
Width (cm)	60	60
Depth (cm)	52	58
Energy efficiency index	60-78.4	60
Energy efficiency class (1)	B-E	A
Cleaning performance index	1.04 - 1.04	1,040
Rinse efficiency	5 - 5	5
Energy consumption in kWh (per cycle) based on the ECO programme	0.545 - 3.6	0,490
Water consumption in litres (per cycle) based on the ECO programme	48 - 90	50
Maximum temperature inside fabric (°C) - Nominal capacity	38	37
Maximum temperature inside fabric (°C) - Half capacity	38	33
Maximum temperature inside fabric (°C) - Quarter capacity	21	23
Residual moisture content (%) - Nominal capacity	53	53,9
Residual moisture content (%) - Half capacity	53	53,9
Residual moisture content (%) - Quarter capacity	53	53,9
Spin speed (rpm) - Nominal capacity	1400	1400
Spin speed (rpm) - Half capacity	1400	1400
Spin speed (rpm) - Quarter capacity	1400	1400
Drying-centrifuging efficiency class (2)	B	B
Programme duration (h:m) - Nominal capacity	3 : 38 - 9:30	3 : 48
Programme duration (h:m) - Half capacity	2 : 48 - 6:40	2 : 48
Programme duration (h:m) - Quarter capacity	2 : 48	2 : 48
Type	Integrated	Integrated
Acoustic noise emission during centrifuging phase (dBA)	76	76
Noise emission class (spin phase)	B	B
Off mode (W)	0.50	0,50
Standby mode (W)	1	1
Delay start (W)	4	4
<b>Product dimensions</b>		
Min/max height [mm]	830/850	825-845
Width [mm]	590	590
Depth [mm]	520	575
Adjustable feet	Yes	Yes
<b>Unit and door dimensions</b>		
Minimum gap height [mm]	840	840
Minimum gap width [mm]	600	600
Minimum gap depth [mm]	580	580
<b>General characteristics</b>		
Load type	Front	Front
Motor type	Silence Inverter	Silence Inverter
Hatch size [cm]	31	31
Drum type	Stainless steel	Stainless steel
Filter type	Accessible	Accessible
Foam reduction system	Accessible	Accessible
Load self-balancing	Yes	Yes
<b>Control</b>		
Control type	LED digital display	LED digital display
Independent wash temperature selection	Yes	Yes
Independent centrifuging speed selection	Yes	Yes
Deferred programming [h]	Yes	Yes
Start/pause button	Yes	Yes
Time remaining indicator	Yes	Yes
Washing phases indicator	Yes	Yes
<b>Programmes</b>		
No. washing programmes	16	16
Cotton	Yes	Yes
Synthetic	Yes	Yes
Delicate	Yes	Yes
ECO	Yes	Yes
Wool	Yes	Yes
Hand wash	Yes	Yes
Quick [min]	Yes	Yes
Mixed	Yes	Yes
Sports clothes	Yes	Yes
Baby clothes	Yes	Yes
Customised	Yes	Yes
Special functions		
Pre-wash	Yes	Yes
Extra rinse	Yes	Yes
<b>Safety</b>		
Child safety lock	Yes	Yes
Anti-overflow safety	Yes	Yes
<b>Electrical and water connection</b>		
Nominal voltage [V]	220-240	220-240
Mains frequency [Hz]	50	50
Nominal power [W]	1.900	1.950
Nominal current [A]	10	10
Plug type	Schuko	Schuko
Cable length [mm]	1500	1500
Water inlet pipe length [mm]	1000	1000
Drainage pipe length [mm]	1600	1600

(1) On a scale of A (most efficient) to G (least efficient).  
 (2) On a scale of A (most efficient) to G (least efficient).



## WINE COOLERS

Code	4153	4157	4151	4155	4184
EAN	8422248348386	8422248348461	8422248348225	8422248348300	8435025741843
Model	NorCare VC 4600 MB	NorCare VC 4600 SS	NorCare VC 4600 DB	NorCare VC 4600 SW	NorCare VC 4800 DB /A
Finish	Matte black	Stainless steel	Black	White	Black
<b>Product fiche according to EU Regulation 2019/2016</b>					
Category	Compressor wine cooler	Compressor wine cooler	Compressor wine cooler	Compressor wine cooler	Compressor wine cooler
Energy efficiency class	G	G	G	G	F
Energy consumption [kWh/year]	118	118	118	118	99
Refrigerator storage volume [bottles]	24	24	24	24	24
Climate class	N	N	N	N	SN-N-ST
Noise emissions [dBA]	39	39	39	39	43
Installation type	Built-in	Built-in	Built-in	Built-in	Built-in
<b>Technical specs and control type</b>					
Refrigerator system	Compressor	Compressor	Compressor	Compressor	Compressor
Display	Touch control display on frontal panel	Touch control display on frontal panel	Touch control display on frontal panel	Touch control display on frontal panel	Touch control display on frontal panel
Wine cooler lighting	Led	Led	Led	Led	Led
Temperature zones	1	1	1	1	1
Temperature ranges (°C)	5-20	5-20	5-20	5-20	5-20
Storage levels	4	4	4	4	4
Capacity (bottles)	22	22	22	22	24
Opening of the door	Folding door	Folding door	Folding door	Folding door	Folding door
Reversible doors	No	No	No	No	No
Adjustable feet	No	No	No	No	No
<b>Dimensions</b>					
Height [mm]	455	455	455	455	455
Width [mm]	595	595	595	595	595
Depth [mm]	538	538	538	538	533
<b>Cabinet dimensions</b>					
Minimum cabinet height [mm]	450	450	450	450	450
Minimum cabinet width [mm]	561	561	561	561	565
Minimum cabinet depth [mm]	560	560	560	560	555
<b>Power connection</b>					
Voltage range [V]	220-240	220-240	220-240	220-240	220-240
Frequency [Hz]	50	50	50	50	50
Rated power [W]					80
Type of plug	Schuko	Schuko	Schuko	Schuko	Schuko
Power cord length [mm]	2000	2000	2000	2000	1200

Code	4220	4221	4222	4235	4234
EAN	8422248371827	8422248371834	8422248371841	8422248371674	8422248371667
Model	NorCare VF171 BK	NorCare VF91 BK	NorCare VF53 BK	NorCare VC57 BK	NorCare VC36 BK
Finish	Black	Black	Black	Black	Black
<b>Product fiche according to EU Regulation 2019/2016</b>					
Category	Compressor wine cooler	Compressor wine cooler	Compressor wine cooler	Compressor wine cooler	Compressor wine cooler
Energy efficiency class	G	G	G	G	G
Energy consumption [kWh/year]	180	152	143	170	169
Refrigerator storage volume [bottles]	418	204	132	143	85
Climate class	SN-N-ST	SN	SN	SN-N-ST	SN-N-ST
Noise emissions [dBA]	42	40	40	38	39
Installation type	Free standing	Free standing	Free standing	Built-in	Built-in
<b>Technical specs and control type</b>					
Refrigerator system	Compressor	Compressor	Compressor	Compressor	Compressor
Display	Touch control display on frontal panel	Touch control display on frontal panel	Touch control display on frontal panel	Touch control display on frontal panel	Touch control display on frontal panel
Wine cooler lighting	Led	Led	Led	Led	Led
Temperature zones	2	2	2	2	2
Temperature ranges (°C)	5-18	5-18	5-18	5-22	5-22
Storage levels	6,5	4,5	5	5	3
Capacity (bottles)	171	91	53	57	36
Opening of the door	Right	Right	Right	Right	Right
Reversible doors	Yes	Yes	Yes	No	No
Adjustable feet	Yes	Yes	Yes	Yes	No
<b>Dimensions</b>					
Height [mm]	1737	1240	892	885	595
Width [mm]	595	540	540	590	590
Depth [mm]	690	555	555	563	563
<b>Cabinet dimensions</b>					
Minimum cabinet height [mm]	-	-	-	880	590
Minimum cabinet width [mm]	-	-	-	560	560
Minimum cabinet depth [mm]	-	-	-	550	550
<b>Power connection</b>					
Voltage range [V]	220-240	220-240	220-240	220-240	220-240
Frequency [Hz]	50	50	50	50	50
Rated power [W]	110	100	100	70	85
Type of plug	Schuko	Schuko	Schuko	Schuko	Schuko
Power cord length [mm]				1500	1500

Note (!) The ventilation channel must be created even if the wine cooler is installed between appliances and/or cupboards. Install the vents on the bottom and top of the entire column.

4185
8422248111294
NorChef VC 4800 SW
White
Compressor wine cooler
F
99
24
SN-N-ST
43
Built-in
Compressor
Touch control display on frontal panel
Led
1
5-20
4
24
Folding door
No
No
455
595
533
450
565
555
220-240
50
80
Schuko
1200

4233	4188	4187	4186	4191	4190
8422248371643	8422248371636	8422248371629	8422248371605	8422248101820	8422248101813
NorCare VC28 BK	NorCare VB46 BK	NorCare VB17 BK	NorCare VB07 BK	NorCare V36 BK	NorCare V28BK
Black	Black	Black	Black	Black	Black
Compressor wine cooler	Compressor wine cooler	Compressor wine cooler	Compressor wine cooler	Compressor wine cooler	Compressor wine cooler
G	G	G	G	G	G
135	168	135	130	140	135
62	129	52	20	36	28
SN-N-ST	SN-N-ST	SN-N-ST	SN-N-ST	SN-N-ST	SN-N-ST
40	39	39	39	41	40
Built-in	Built-under	Built-under	Built-under	Built-in	Built-in
Compressor	Compressor	Compressor	Compressor	Compressor	Compressor
Touch control display on frontal panel	Touch control display on frontal panel	Touch control display on frontal panel	Touch control display on frontal panel	Touch control display on frontal panel	Touch control display on frontal panel
Led	Led	Led	Led	Led	Led
1	2	2	1	2	1
5-20	5-22	5-22	5-20	5-22	5-20
2	5	4	-	4	3
28	46	17	7	36	28
Right	Right	Right	Right	Right	Right
No	Yes	Yes	Yes	Yes	Yes
No	Yes	Yes	Yes	Yes	Yes
455	820	820	870	595	455
590	595	295	150	590	590
563	570	570	525	545	545
450	870	827	872	590	450
560	605	300	155	560	560
550	575	600	560	550	550
220-240	220-240	220-240	220-240	220-240	220-240
50	50	50	50	50	50
65	70	65	60	65	65
Schuko	Schuko	Schuko	Schuko	Schuko	Schuko
1500	1500	1500	1500	1500	1500

## TAPS

Code	4095	4096	4098	4099
EAN	8435025740952	8435025740969	8435025740983	8435025740990
Model	BLACKBIRD BK	BLACKBIRD WH	ROBIN BK	ROBIN SS
<b>Dimensions</b>				
Dimensions (diameter, length) of spout tubing [", mm]	M10*G3/8*500mm	M10*G3/8*500mm	M10*G3/8*500mm	M10*G3/8*500mm
Product dimensions (height x width x depth) [mm]	535x100x265	535x100x265	280x265x100	280x265x100
<b>GENERAL CHARACTERISTICS</b>				
Type of mixer	Single-lever	Single-lever	Single-lever	Single-lever
Material	Stainless steel 304	Stainless steel 304	Stainless steel 304	Stainless steel 304
Lever material	Stainless steel 304	Stainless steel 304	Stainless steel 304	Stainless steel 304
Spout tube material	Plastic	Plastic	-	-
Finish style	Satin	Satin	Satin	Satin
Installation location	Sink, Worktop	Sink, Worktop	Sink, Worktop	Sink, Worktop
<b>Details of spout and lever</b>				
Type of spout	High	High	High	High
Spout form	Semi-professional	Semi-professional	L-shape	L-shape
Detachable spout	Yes	Yes	No	No
Rotating lever	360°	360°	360°	360°
Tap aerator	Yes	Yes	Yes	Yes
Shower function	Yes	Yes	No	No
Type of lever	Handle	Handle	Handle	Handle
Lever position	Right side	Right side	Right side	Right side
<b>Accessories</b>				
Type of cartridge	Ceramic	Ceramic	Ceramic	Ceramic
Stabiliser triangle	Yes	Yes	Yes	Yes
Coloured handle	No	No	Black	No

## SINKS

Code	4058	4060	4059	4079
EAN	8435025740587	8435025740600	8435025740594	8435025740792
Model	78.50 1B 1D BK	78.50 1B 1D WH	78.50 1B 1D BG	78.50 1B BK
<b>Dimensions</b>				
Unit size (length x width) [mm]	765 mm x 485 mm	765 mm x 485 mm	765 mm x 485 mm	764 mm x 494 mm
Dimensions (height x width x depth) [mm]	780 mm X 500 mm	780 mm X 500 mm	780 mm X 500 mm	780 mm X 510 mm
<b>General characteristics</b>				
Type	Top-mount	Top-mount	Top-mount	Top-mount
Material	Quartz composite	Quartz composite	Quartz composite	Quartz composite
Bowl thickness [mm]	7	7	7	7
Colour	Black	White	Beige	Black
<b>Bowl and drainboard details</b>				
Number of bowls	1	1	1	1
Bowl shape	Square	Square	Square	Square
Drainboard	Yes	Yes	Yes	No
Orifice for tap	No, internal lip	No, internal lip	No, internal lip	No, internal lip
<b>Accessories</b>				
Drain valve type	Round 3 1/2"	Round 3 1/2"	Round 3 1/2"	Round 3 1/2"
Number of drain valves	1	1	1	1
Overflow tube	Yes	Yes	Yes	Yes

Code	4083	4088	4090	4089
EAN	8435025740839	8435025740884	8435025740907	8435025740891
Model	45.40 1B BG	40.40 1B BK	40.40 1B WH	40.40 1B BG
<b>Dimensions</b>				
Unit size (length x width) [mm]	518x442 (top-mount) 468x390 (undermount)	407x407 (top-mount) 362x362 (undermount)	407x407 (top-mount) 362x362 (undermount)	407x407 (top-mount) 362x362 (undermount)
Dimensions (height x width x depth) [mm]	533x457	423x423	423x423	423x423
<b>General characteristics</b>				
Type	Top-mount/under-mount	Top-mount/under-mount	Top-mount/under-mount	Top-mount/under-mount
Material	Quartz composite	Quartz composite	Quartz composite	Quartz composite
Bowl thickness [mm]	7	7	7	7
Colour	Beige	Black	White	Beige
<b>Bowl and drainboard details</b>				
Number of bowls	1	1	1	1
Bowl shape	Square	Square	Square	Square
Drainboard	No	No	No	No
Orifice for tap	No	No	No	No
<b>Accessories</b>				
Drain valve type	Round 3 1/2"	Round 3 1/2"	Round 3 1/2"	Round 3 1/2"
Number of drain valves	1	1	1	1
Overflow tube	Yes	Yes	Yes	Yes

4100	4134	4135	4136
8435025741003	8435025741348	8435025741355	8435025741362
ROBIN CU	HERON CROMO	HERON WHITE	HERON BLACK
M10*G3/8*500mm	M10*G3/8*500mm	M10*G3/8*500mm	M10*G3/8*500mm
280x265x100	390 x 195 x 45 mm	390 x 195 x 45 mm	390 x 195 x 45 mm
Single-lever	Single-lever	Single-lever	Single-lever
Stainless steel 304	Stainless steel 304	Stainless steel 304	Stainless steel 304
Stainless steel 304	Stainless steel 304	Stainless steel 304	Stainless steel 304
-			
Satin	Chrome	White paint	Black paint
Sink, Worktop	Sink, Worktop	Sink, Worktop	Sink, Worktop
High	High	High	High
L-shape	L-shape	L-shape	L-shape
No	No	No	No
360°	360°	360°	360°
Yes	Yes	Yes	Yes
No	No	No	No
Handle	Handle	Handle	Handle
Right side	Right side	Right side	Right side
Ceramic	Ceramic	Ceramic	Ceramic
Yes			
Copper	Chrome	White	Black

4081	4080	4085	4087	4086	4082	4084
8435025740815	8435025740808	8435025740853	8435025740877	8435025740860	8435025740822	8435025740846
78.50 1B WH	78.50 1B BG	NorGranite 55.40 1B BK	55.40 1B WH	55.40 1B BG	45.40 1B BK	45.40 1B WH
764 mm x 494 mm	764x494	594x442 (top-mount) 543x393 (undermount)	594x442 (top-mount) 543x393 (undermount)	594x442 (top-mount) 543x393 (undermount)	518x442 (top-mount) 468x390 (undermount)	518x442 (top-mount) 468x390 (undermount)
780 mm X 510 mm	780x510	610x460	610x460	610x460	533x457	533x457
Top-mount	Top-mount	Top-mount/under-mount	Top-mount/under-mount	Top-mount/under-mount	Top-mount/under-mount	Top-mount/under-mount
Quartz composite	Quartz composite	Quartz composite	Quartz composite	Quartz composite	Quartz composite	Quartz composite
7	7	7	7	7	7	7
White	Beige	Black	White	Beige	Black	White
1	1	1	1	1	1	1
Square	Square	Square	Square	Square	Square	Square
No	No	No	No	No	No	No
No, internal lip	No, internal lip	No	No	No	No	No
Round 3 1/2"	Round 3 1/2"	Round 3 1/2"	Round 3 1/2"	Round 3 1/2"	Round 3 1/2"	Round 3 1/2"
1	1	1	1	1	1	1
Yes	Yes	Yes	Yes	Yes	Yes	Yes

4093	4091	4092	4094
8435025740938	8435025740914	8435025740921	8435025740945
70.40 1C R10 CP	50.40 1C R10 CP	45.40 1C R10 CP	40.40 1C R10 CP
705x405	505x405	455x405	405x405
740x440x200	540x440x200	490x440x200	440x440x200
Top-mount/under-mount	Top-mount/under-mount	Top-mount/under-mount	Top-mount/under-mount
1	1	1	1
SS	SS	SS	SS
1	1	1	1
Square	Square	Square	Square
No	No	No	No
No	No	No	No
Round 3 1/2"	Round 3 1/2"	Round 3 1/2"	Round 3 1/2"
1	1	1	1
Yes	Yes	Yes	Yes







A series of horizontal dotted lines spanning the width of the page, providing a template for writing or drawing.











**CATA ELECTRODOMÉSTICOS S.L.U.**

Tlf: +34 938 594 100.- Fax +34 938 594 101.

[www.cata.com](http://www.cata.com) - [www.cnagroup.es](http://www.cnagroup.es) - [cna@cnagroup.es](mailto:cna@cnagroup.es)

**Headquarters:** c/ Anabel Segura, 11, Edif. A, 3a pl. 28108. Alcobendas (Madrid. Spain)

**Factory:** c/ del Ter, 2, Apdo. 9. 08570. Torelló (Barcelona. Spain)

**CNA**  
group

cata

edesa

NODOR

Apelson